



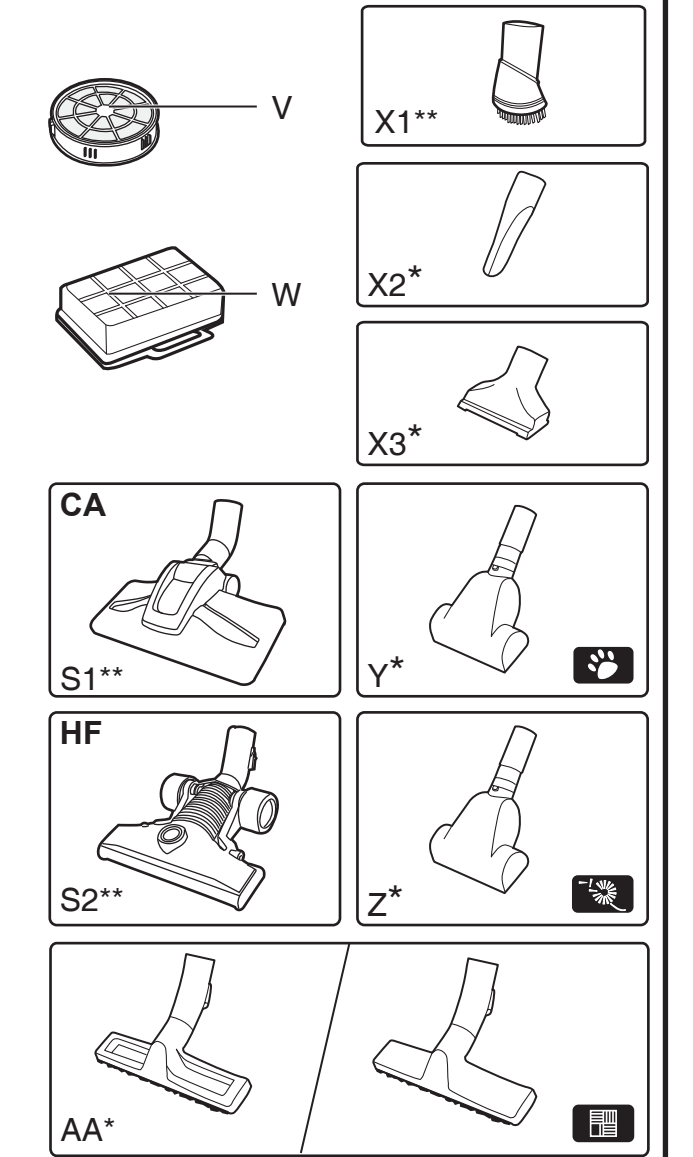
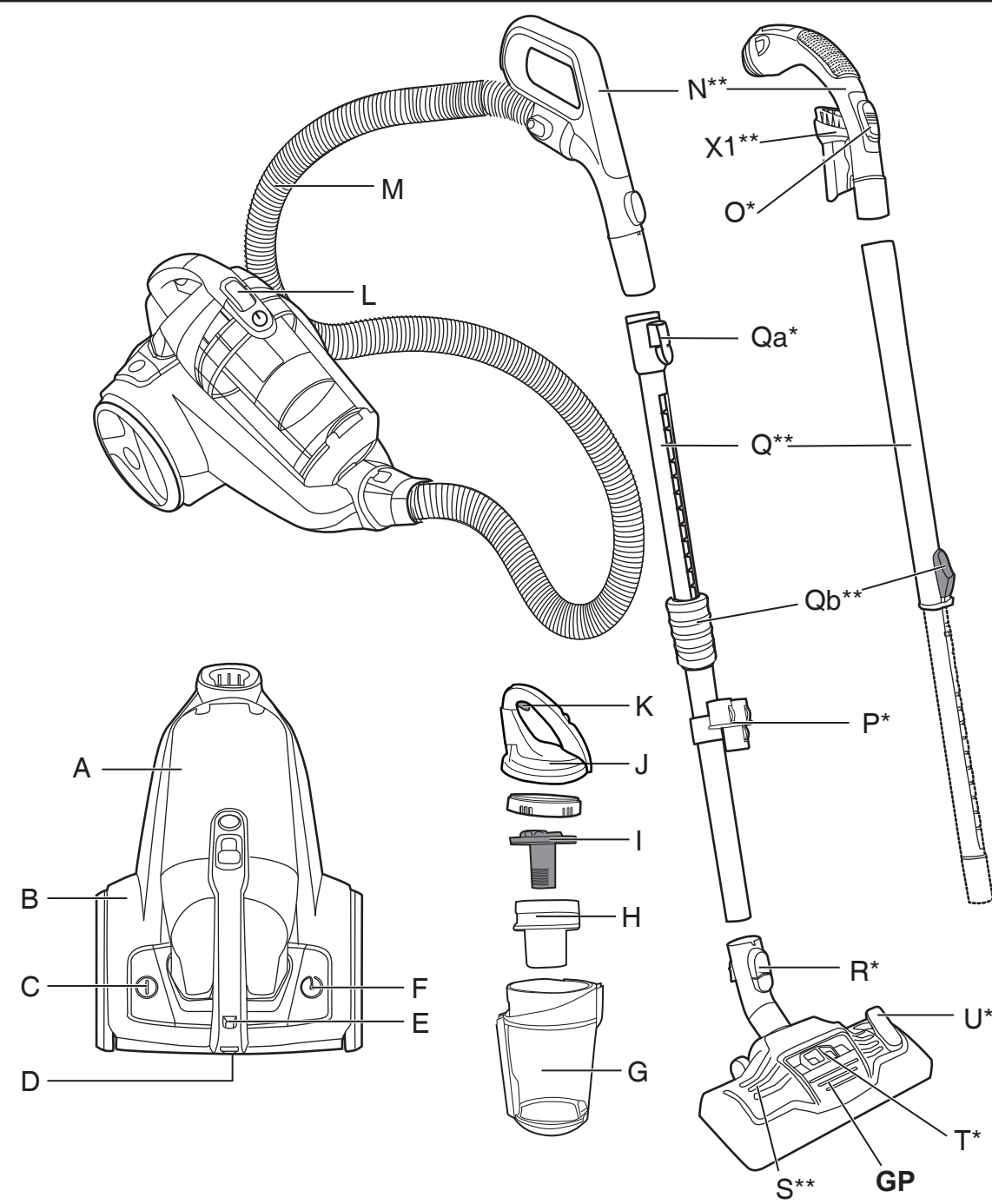
# HOOVER



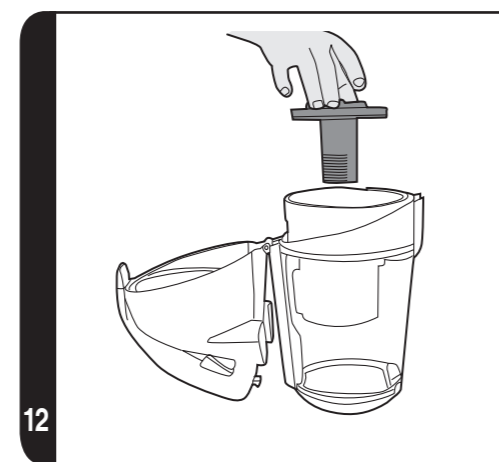
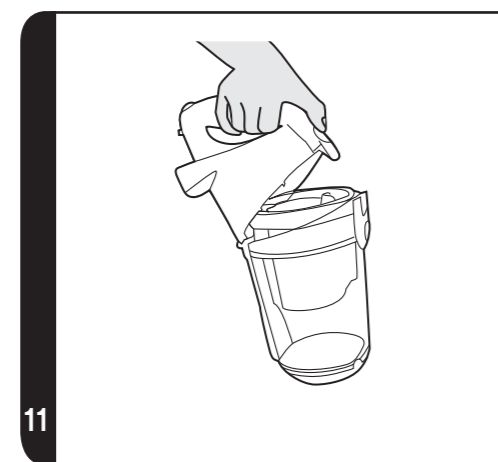
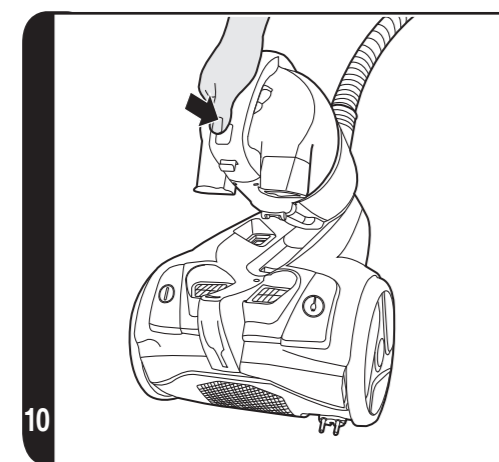
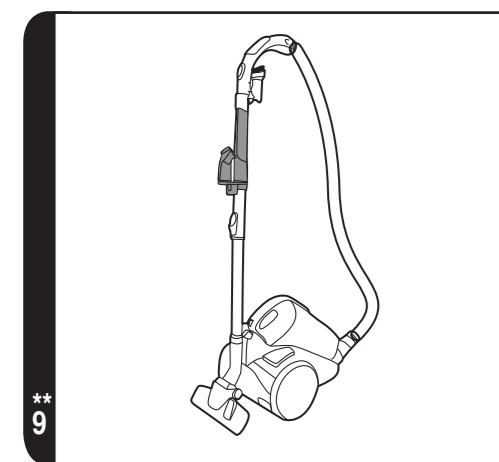
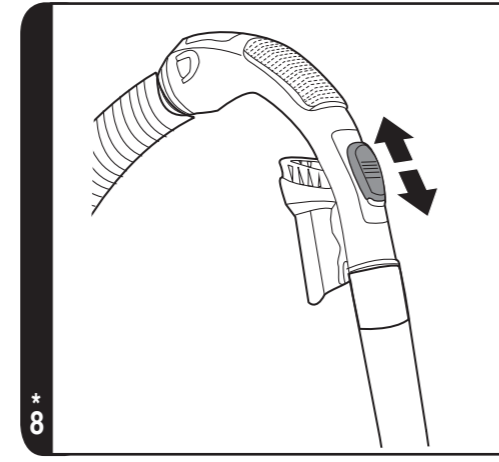
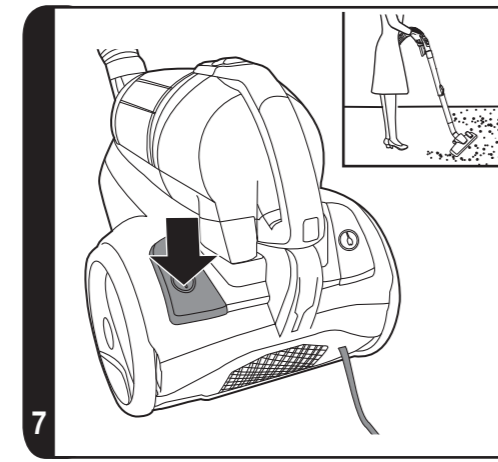
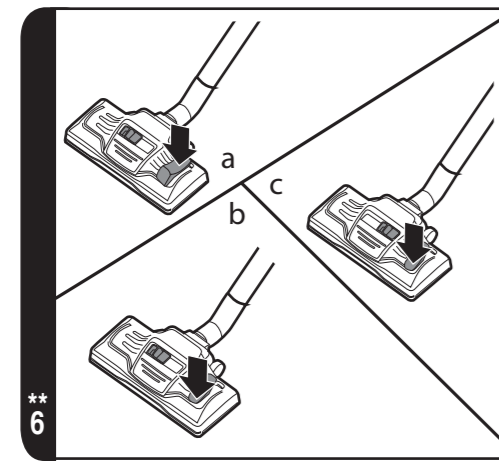
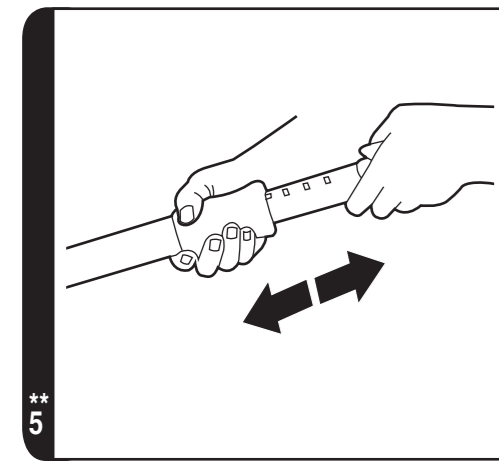
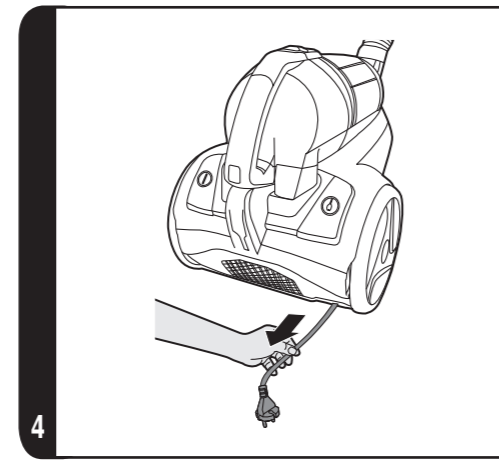
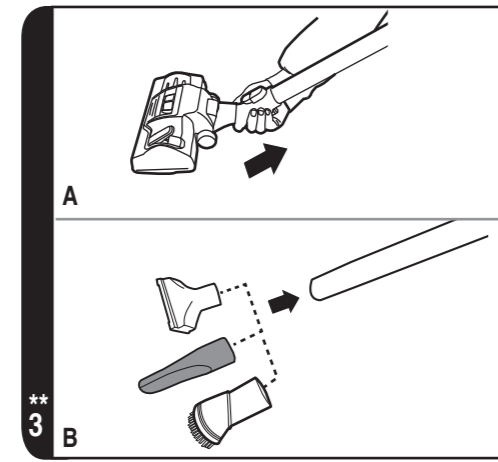
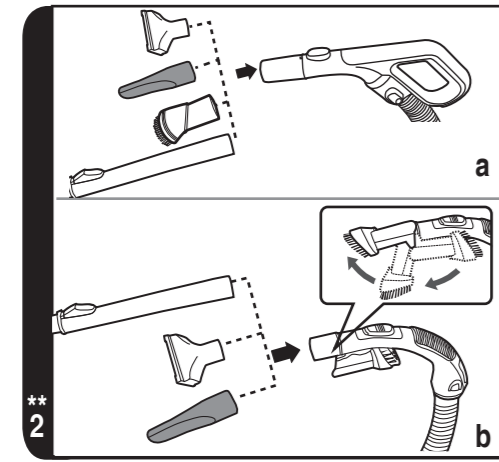
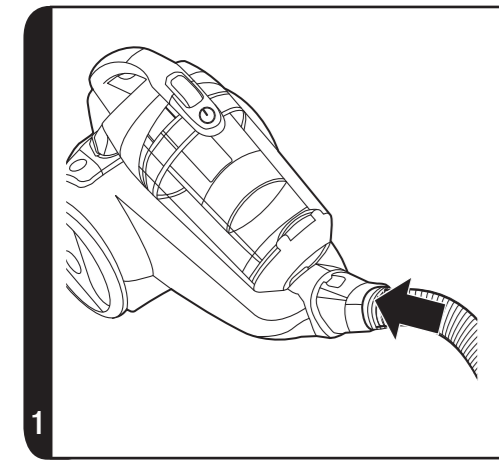
USER MANUAL (GB) .....P 01  
 MANUEL D'UTILISATION (FR) .....P 04  
 BEDIENUNGSANLEITUNG (DE) .....P 08  
 MANUALE ISTRUZIONI (IT) .....P 11  
 GEBRUIKERSHANDLEIDING (NL) .....P 15  
 MANUAL DE INSTRUÇÕES (PT) .....P 18  
 MANUAL DE INSTRUCCIONES (ES) .....P 22  
 BRUGERVEJLEDNING (DK) .....P 25  
 BRUKSANVISNING (NO) .....P 29  
 INSTRUKTIONSMANUAL (SE) .....P 32  
 KÄYTTÖOHJE (FI) .....P 36  
 ΟΔΗΓΙΕΣ ΧΡΗΣΕΩΣ (GR) .....P 39  
 РУКОВОДСТВО ПОЛЬЗОВАТЕЛЯ (RU) .....P 43  
 INSTRUKCJA OBSŁUGI (PL) .....P 46  
 NÁVOD K OBSLUZE (CZ) .....P 50  
 UŽÍVATELSKÝ MANUÁL (SK) .....P 53  
 KULLANIM KILAVUZU (TR) .....P 57  
 HASZNÁLATI ÚTMUTATÓ (HU) .....P 60  
 РЪКОВОДСТВО ЗА ПОТРЕБИТЕЛЯ (BG) ..P 64



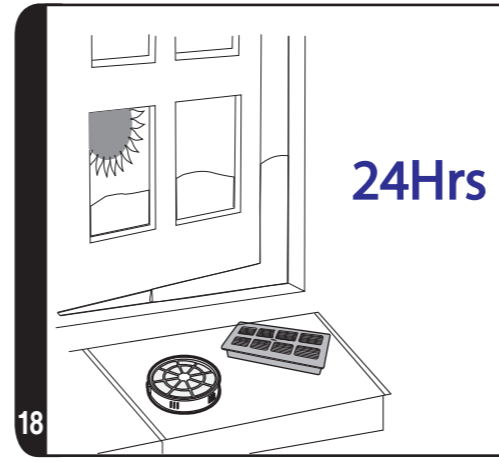
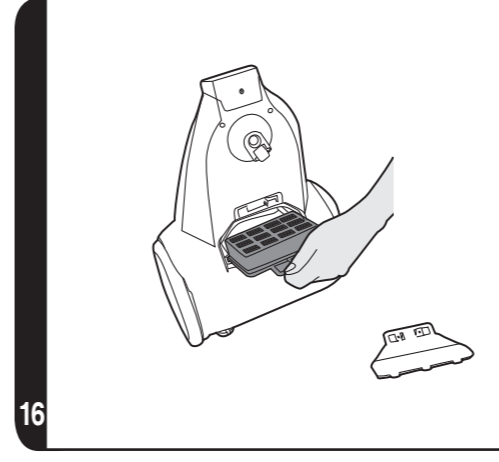
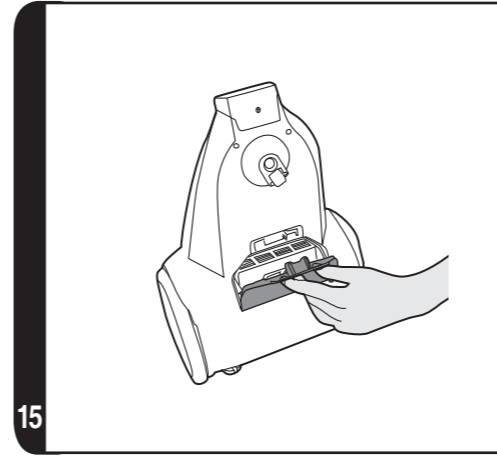
PRINTED IN P.R.C.  
 48016773-4



\* Certain models only    \*\* May vary according to models



\* Certain models only \*\* May vary according to models



\* Certain models only \*\* May vary according to models

## INSTRUCTIONS FOR SAFE USE

This appliance should only be used for domestic cleaning, as described in this user guide. Please ensure that this guide is fully understood before operating the appliance.

Do not leave the appliance plugged in. Always switch off and remove the plug from the socket after use, or before cleaning the appliance or any maintenance task.

This appliance can be used by children aged from 8 years and above and persons with reduced physical, sensory or mental capabilities or lack of experience and knowledge if they have been given supervision or instruction concerning use of the appliance in a safe way and understand the hazards involved. Children shall not play with the appliance. Cleaning and user maintenance shall not be made by children without supervision.

If the power cord is damaged stop using the appliance immediately. To avoid a safety hazard, an authorised HOOVER service engineer must replace the power cord.

Keep hands, feet, loose clothing and hair away from rotating brushes.

Use only attachments, consumables or spares recommended or supplied by HOOVER.

**Static electricity:** Some carpets can cause a small build up of static electricity. Any static discharge is not hazardous to health.

Do not use your appliance out of doors or on any wet surface or for wet pick up.

Do not pick up hard or sharp objects, matches, hot ashes, cigarette ends or other similar items.

Do not spray with or pick up flammable liquids, cleaning fluids, aerosols or their vapours.

Do not run over the power cord when using your appliance or remove the plug by pulling on the power cord.

Do not continue to use your appliance if it appears faulty.


**HOOVER service:** To ensure the continued safe and efficient operation of this appliance we recommend that any servicing or repairs are only carried out by an authorised HOOVER service engineer.

Do not stand on or wrap the cord around arms or legs when using your appliance.

Do not use the appliance to clean animals or people.

Do not position the appliance above you when cleaning the stairs.

### The Environment

The symbol on this appliance indicates that this appliance may not be treated as household waste. Instead it must be handed over to the applicable collection point for the recycling of electrical and electronic equipment. Disposal must be carried out in accordance with local environmental regulations for waste disposal.  For more detailed information about treatment, recovery and recycling of this appliance, please contact your local city office, your household and waste disposal service or the shop where you purchased the appliance.

 This appliance complies with the European Directives 2014/35/EU, 2014/30/EU and 2011/65/EU.

CANDY HOOVER GROUP S.r.l. Via Privata Eden Fumagalli, 20861 Brugherio (MB) Italy

## GETTING TO KNOW YOUR CLEANER

- |                                   |  |
|-----------------------------------|--|
| A. Dust Bin Assembly              | Q. Telescopic Tube**                   |
| B. Cleaner Main Body              | Qa. Telescopic Tube Latch*             |
| C. On/Off Pedal                   | Qb. Telescopic Tube Adjuster**         |
| D. Park Slot                      | R. Carpet and Floor nozzle Latch*      |
| E. Dust Bin Release Button        | S. Carpet and Floor nozzle (GP)**      |
| F. Cord Reel Pedal                | S1. Carpet Nozzle (CA)**               |
| G. Dust Bin                       | S2. Hard Floor Nozzle (HF)**           |
| H. Cyclone Body                   | T. Carpet and Floor Nozzle Slider*     |
| I. Vortex Finder ( Metallic Red ) | U. Floor Type Selector Pedal*          |
| J. Dust Bin Lid                   | V. Pre-motor Filter                    |
| K. Dust Bin Flap Release Trigger  | W. Exhaust Filter                      |
| L. Dust Bin Lid Release Button    | X1. Dusting Brush**                    |
| M. Hose                           | X2. Crevice Tool*                      |
| N. Hose Handle**                  | X3. Furniture nozzle*                  |
| O. Suction Regulator*             | Y. Pet Hair Remover Mini Turbo Nozzle* |
| P. Accessory holder*              | Z. Allergen Remover Mini Turbo Nozzle* |
|                                   | AA. Parquet Nozzle*                    |

## ASSEMBLING YOUR CLEANER

Remove all components from the packaging.

1. Connect the hose to the cleaner main body, ensuring it clips and locks into position. To release: simply press the button on the hose end and pull. [1]
2. Connect the hose handle to the end of the extension tube upper [2a], or accessories if required. [2b]
3. Connect the extension tube lower to the carpet and floor nozzle\*\* [3a] or accessories if required. [3b]
4. The cleaning accessory tools\* can be stored after use on the underside of the extension tube, using the accessory holder provided\*.

## USING YOUR CLEANER

1. Extract the power cord and plug it into the power supply. Do not pull the cord beyond the red marker. [4]
2. Adjust the extension tube\*\* to the desired height by moving the extension tube adjuster\*\* up and raise or lower to the most comfortable cleaning position. [5]
3. After connecting the lower end of the telescopic tube to the Carpet and Floor Nozzle\*\*, press the floor type selector pedal\* on the nozzle to select the ideal cleaning mode::  
**Hard Floor** – Brushes are lowered to protect the floor.  
**Carpet** – Brushes are raised for deeper cleaning.

### Carpet & Floor Nozzle\*\*: [6]

- **Hard floor Cleaning:** Press the pedal on the nozzle on Hard Floor mode and adjust the slider on the nozzle on ALL FLOORS. In this position brushes, wheels and wiper blade are

lowered to protect hard floors. [6a]

- **Standard Carpet & Rugs Cleaning:** Press the pedal on the nozzle on Carpet mode and adjust the slider on the nozzle on ALL FLOORS. In this position brushes and wiper blade are raised while wheels are lowered to allow a perfect ease of movement on such surfaces. [6b]

- **Deep Carpet cleaning:** Press the pedal on the nozzle on Carpet mode and adjust the slider on the nozzle on DEEP CARPET CLEANING. In this position brushes, wheels and wiper blade are raised for a deeper cleaning of your carpet. [6c]

**WARNING:** It is recommended to avoid potential scratching of wooden floors that the pedal is not set on hard floor mode and the slider on deep carpet cleaning.

4. Switch the cleaner on by pressing the on/off Pedal on the cleaner main body. [7]
5. Adjust the suction by moving the suction regulator\* to the desired level. [8]
6. Switch off at the end of use by pressing the on/off Pedal. Unplug and press the cord reel pedal [F] to wind the power cord back into the cleaner.

### Parking and Storage Section

7. The tube can be parked on back of the cleaner for storage or temporary storage while in use. [9]

## ACCESSORIES

To obtain the best performance and efficiency it is recommended that the correct nozzles are used for the main cleaning operations. These nozzles are indicated in the diagrams by the letters **GP**, **HF** or **CA**.

A nozzle type **GP** can be used to clean both carpet and hard floor.

A nozzle type **HF** is suitable for use only on hard floor.

A nozzle of type **CA** is suitable for use only on carpet.

The other nozzles are accessories for specialist cleaning tasks and are recommended for occasional use only.

The crevice tool\*, furniture nozzle\* and dusting brush\*\* are stored on the telescopic tube through a practical accessories' holder. They can be fitted to the handle or the end of telescopic tube.

On certain models the dusting brush is conveniently integrated in the hose handle.

**Dusting Brush\*\*** – For bookshelves, frames, keyboards and other delicate areas. [X1]

**Crevice Tool\*** – For corners and hard to reach areas. [X2]

**Furniture Nozzle\*** – For soft furniture and fabrics. [X3]

**Parquet Nozzle\*** – For parquet floors and other delicate floors. [AA]

**Pet Hair Remover Mini Turbo Nozzle\*** - Use the mini turbo nozzle on stairs or for deep cleaning on textile surfaces and other hard to clean areas. Particularly suitable for pet hair removal. [Y]

**Allergen Remover Mini Turbo Nozzle\*** – Use the mini turbo nozzle on stairs or for deep cleaning on textile surfaces and other hard to clean areas. Particularly suitable for allergen removal. [Z]

**IMPORTANT:** Do not use mini turbo nozzles on rugs with long fringes, animal hides and

carpet pile deeper than 15mm. Do not keep the nozzle stationary while brush is rotating.

## CLEANER MAINTENANCE

### Emptying the Dust Bin

When the dust reaches the max level indicator in the bin, empty the dust bin.

**IMPORTANT:** To maintain optimum performance do not allow the dust above the max level indicator.

1. Turn off the cleaner with the main switch and unplug the power cable.
2. Press the dust bin lid release button and remove the dust bin assembly from the cleaner. **[10]**
3. Hold the dust bin with one hand and press the dust bin flap release trigger. **[13]**
4. Close the dust bin flap and refit to the cleaner main body. **[10]**

### Cleaning the washable filters

The cleaner is fitted with pre-motor filter and exhaust filter. To maintain optimum cleaning performance, regularly remove the filters and tap against the side of the waste container to release dust. The filters should be washed every 5 dust container empties or when the filter has excessive dust level.

**IMPORTANT:** All bagless cleaners require regular filter cleaning. Failure to clean your filters may result in air blockage, overheating and product failure. This may invalidate your guarantee.

**IMPORTANT:** Regularly check and maintain the filters.

**IMPORTANT:** Always ensure the filter pack is fully dry before use.

#### To access the filter:

1. Press the dust bin lid release button and remove the dust bin assembly from the cleaner. **[10]**
2. Hold the dust bin with one hand and with the other hand press the dust bin lid release button to open the bin lid. **[11]**
3. Remove the pre-motor filter located in the bin lid. **[14]**
4. Gently tap and wash the pre-motor filter. Do not use hot water or detergents. Remove excess water from the filter and leave to dry fully before re-using. **[17,18]**
5. Reassemble the pre-motor filter to the dust bin lid once fully dry and refit to the cleaner.

**IMPORTANT:** Do not use the product without the filter pack fitted.

#### To access the exhaust filter:

1. Unlock the exhaust filter door by pressing two buttons and pulling outward from main cleaner. **[15]**
2. Remove the filter pack from recess by pulling the ring-pull of exhaust filter. **[16]**
3. Gently tap and wash the filter unit. Do not use hot water or detergents. Remove excess water from the filter and leave to dry fully before using. **[17,18]**
4. Reassemble the Filter pack once it is fully dry and refit to the cleaner by inserting it back into the location and pushing it fully home. **[16]**
5. Lock the exhaust filter cover by pressing the edge which has the clips, you will hear a click once the exhaust filter door fits into place. **[15]**

**IMPORTANT:** Do not use the product without the filter pack fitted.

### Cleaning the dust bin / separation unit

This cleaner uses a separation system unique to Hoover. If necessary the separation unit can be disassembled from the dust bin and cleaned.

1. Press the dust bin lid release button and remove the dust bin assembly from the cleaner. **[10]**
2. Hold the dust bin with one hand and with the other hand press the dust bin lid release button to open the dust bin lid. **[11]**
3. Remove the Vortex Finder (Red) from the cyclone body. **[12]**
4. Remove the cyclone body from the dust bin. **[13]**
5. If necessary, use a cloth to remove excessive dust from the red vortex finder and the cyclone body surface.
6. Place the dust bin under the tap. **[17]** Rinse with lukewarm water. Wash internal surfaces of the dust bin with water only. DO NOT use soap detergents to wash the internals of the dust bin.
7. Reassemble the internal component to the dust bin, ensuring all components are dry.
8. Close over the dust bin lid and refit dust bin assembly to cleaner.

### Removing a blockage

1. Check if the dust bin is full. If so refer to 'Emptying the dust bin.'
2. If the dust bin is empty but suction is still low:
  - A. Do the filters need cleaning? If so refer to 'Cleaning the washable filters'.
  - B. Check if there is any other blockage in the system - Use a rod or pole to remove any blockage from the extension tube or flexible hose.
  - C. Check if pre-motor filter is fitted.
  - D. Check if the separation unit needs to be cleaned. Refer to 'Cleaning the separation unit.'

## USER CHECKLIST

Should you have a problem with the product, complete this simple user checklist before calling your local Hoover service.

- Is there a working electricity supply to the cleaner? Please check with another electrical appliance.
- Is the dust bin over-filled? Please refer to 'Cleaner Maintenance'.
- Is the filter blocked? Please refer to 'Cleaner Maintenance'.
- Is the hose or nozzle blocked? Please refer to 'Removing a blockage from the system'.
- Has the cleaner overheated? If so, it will take approximately 30 minutes to automatically reset.



## IMPORTANT INFORMATION

### Hoover spares and Consumables

Always replace parts with genuine Hoover spares. These are available from your local Hoover dealer or direct from Hoover. When ordering parts always quote your model number.

### Hoover Service

Should you require service at any time, please contact your local Hoover Service Office.

### Quality

BSI ISO 9001: Hoover's factories have been independently assessed for quality. Our products are made using a quality system which meets the requirements of ISO 9001.

### Your Guarantee

The guarantee conditions for this appliance are as defined by our representative in the country in which it is sold. Details regarding these conditions can be obtained from the dealer from whom the appliance was purchased. The bill of sale or receipt must be produced when making any claim under the terms of this guarantee.

Subject to change without notice.

## INSTRUCTIONS DE SÉCURITÉ D'UTILISATION

Cet appareil ne doit être utilisé que pour un nettoyage domestique, conformément à ce guide d'utilisation. Veuillez vous assurer que ces instructions sont parfaitement comprises avant d'utiliser l'appareil.

Ne laissez pas l'appareil branché. Eteignez et débranchez toujours l'appareil après l'avoir utilisé, ou avant de le nettoyer ou de procéder à son entretien.

Cet appareil peut être utilisé par des enfants âgés d'au moins 8 ans et par des personnes ayant des capacités physiques, sensorielles ou mentales réduites, ou n'ayant pas d'expérience ou de connaissances en la matière. Ces dernières doivent recevoir des instructions sur l'utilisation de l'appareil en toute sécurité et comprendre les risques impliqués. Les enfants ne doivent pas jouer avec l'appareil. Le nettoyage et l'entretien ne devraient pas être effectués par des enfants sans supervision.

Si le cordon d'alimentation est endommagé, arrêtez immédiatement d'utiliser l'appareil. Pour éviter les risques d'accident, un réparateur HOOVER agréé doit remplacer le cordon d'alimentation.

Maintenez les mains, pieds, vêtements et cheveux à distance des brosses rotatives.

N'utilisez que les accessoires, consommables ou pièces détachées recommandés ou fournis par HOOVER.

**Électricité statique :** Certains tapis/moquettes peuvent entraîner une petite accumulation d'électricité statique. Les décharges d'électricité statique ne sont pas dangereuses pour la santé.

N'utilisez pas votre appareil à l'extérieur, sur une surface humide ou pour un ramassage humide.

N'aspirez pas d'objets durs ou tranchants, d'allumettes, de cendres chaudes, de mégots de cigarettes ou d'autres objets similaires.

Ne pulvérisez ou n'aspirez pas des liquides inflammables, des produits d'entretien liquides, des aérosols ou leurs vapeurs.

Ne marchez pas sur le cordon d'alimentation lorsque vous utilisez votre appareil et ne le débranchez pas de la prise en tirant sur le cordon d'alimentation.

Ne continuez pas à utiliser votre appareil s'il semble défectueux.

**Service HOOVER :** Pour assurer l'utilisation sûre et efficace de cet appareil, nous recommandons de n'en confier l'entretien ou les réparations qu'à un réparateur HOOVER agréé.

Ne marchez pas sur le cordon d'alimentation ou ne l'enroulez pas sur vos bras ou vos jambes quand vous utilisez l'appareil.

N'utilisez pas l'appareil sur des personnes ou des animaux.

Lors du nettoyage des escaliers, ne placez pas l'appareil dans une position plus haute que la vôtre.

#### Environnement

Le symbole figurant sur cet appareil indique qu'il ne peut pas être considéré comme une ordures ménagères. Vous devez le déposer dans un centre de recyclage des déchets électriques et électroniques. La déposition doit être effectuée conformément à la réglementation locale en matière de déchets. Pour obtenir des compléments d'information sur le traitement, la récupération et le recyclage de cet appareil, veuillez contacter votre municipalité, le service local d'élimination des ordures ménagères ou le revendeur de l'appareil.



**C E** Cet appareil est conforme aux Directives européennes 2014/35/UE, 2014/30/UE et 2011/65/UE.

CANDY HOOVER GROUP S.r.l. Via Privata Eden Fumagalli, 20861 Brugherio (MB) Italy

## CONNAITRE VOTRE ASPIRATEUR

- |  |  |
|--|--|
| A. Ensemble de bac à poussière                           | Qa. Verrou de tube télescopique*   |
| B. Corps principal de l'aspirateur                       | Qb. Bouton de réglage du tube télescopique**   |
| C. Bouton marche/arrêt                                   | R. Verrou de brosse moquette et sol*   |
| D. Position Parking                                      | S. Brosse pour moquette et sols durs (GP)**  |
| E. Bouton de verrouillage du bac à poussière             | S1. Brosse pour moquette (CA)**  |
| F. Pédale d'enroulement du cordon                        | S2. Brosse pour sols durs (HF)**   |
| G. Cassette de poussière                                 | T. Curseur de brosse moquette et sol*  |
| H. Corps de cyclone                                      | U. Sélecteur de type de sol*   |
| I. Détecteur Vortex ( Rouge métallisé )                  | V. Filtre pré-moteur   |
| J. Volet du bac à poussière                              | W. Filtre d'évacuation   |
| K. Déclencheur d'échappement du volet du bac à poussière | X1. Brosse meuble**  |
| L. Bouton de verrouillage du volet du bac à poussière    | X2. Suceur plat*   |
| M. Flexible  | X3. Brosse à meubles*  |
| N. Poignée du flexible**                                 | Y. Mini turbobrosse pour élimination des poils d'animaux domestiques*  |
| O. Variateur de puissance*                               | Z. Mini turbobrosse pour élimination des poils d'animaux domestiques, limitant la prolifération des bactéries* |
| P. Porte-accessoires*                                    | AA. Brosse parquet*  |
| Q. Tube télescopique**                                   |  |

## MONTAGE DE L'ASPIRATEUR

Sortez tous les composants de l'emballage.

1. Raccordez le flexible à l'aspirateur en veillant à ce qu'il se fixe bien et se verrouille correctement. Pour le détacher : il suffit d'appuyer sur le bouton du tuyau et de tirer. [1]
2. Connectez la poignée du tuyau à l'extrémité supérieure du tube de rallonge [2a], ou aux accessoires, si nécessaire. [2b]
3. Connectez l'extrémité inférieure du tube de rallonge à la brosse\*\* [3a] combinée sols durs et moquettes ou aux accessoires, si nécessaire. [3b]
4. Les outils accessoires de nettoyage\* peuvent être rangés après l'utilisation sur la partie inférieure du tube de rallonge, à l'aide du porte-accessoires prévu\*.

## UTILISATION DE L'APPAREIL

1. Sortez le cordon d'alimentation et branchez-le sur la prise d'alimentation. Ne sortez pas le cordon au-delà du repère rouge. [4]
2. Réglez le tube télescopique \*\* à la hauteur désirée en déplaçant le régleur de tube télescopique \*\* en l'élevant ou en l'abaissant à la position de nettoyage la plus confortable. [5]
3. Après avoir connecté l'extrémité inférieure du tube à la brosse moquette et sol\*\* appuyez sur la pédale\* de la brosse pour sélectionner le mode d'aspiration idéal pour le type de sol:
  - Sol dur** – Les brosses sont baissées pour protéger le sol.
  - Moquette** – Des brosses sont formulées pour un nettoyage en profondeur.

#### Brosse moquette et sol\*\* : [6]

- **Dépoissierage sur sols durs** : Appuyez sur la pédale de la brosse pour sélectionner le mode Sols Durs et ajustez le curseur sur la brosse sur TOUS LES SOLS. Dans cette position, les brosses, les roulettes et le balai d'essuie-glace sont baissés pour protéger le sol. [6a]

- **Nettoyage standard de moquette et tapis** : Appuyez sur la pédale de la brosse pour sélectionner le mode Sols Durs et ajustez le curseur de la brosse sur TOUS LES SOLS. Dans cette position, les brosses et le balai d'essuie-glace sont soulevés pendant que les roulettes sont baissées pour favoriser une parfaite liberté de mouvement. [6b]

- **Nettoyage en profondeur de moquette** : Appuyez sur la pédale de la brosse pour sélectionner le mode Moquette et ajustez le curseur de la brosse sur NETTOYAGE EN PROFONDEUR DE MOQUETTE. Dans cette position, les roulettes et le balai d'essuie-glace sont soulevés pour un nettoyage en profondeur de votre moquette. [6c]

**MISE EN GARDE** : Il est recommandé d'éviter d'éventuelles rayures du parquet sur lequel la pédale n'est pas réglée sur le mode sol dur et le curseur sur le mode nettoyage en profondeur de moquette.

4. Allumez l'aspirateur en appuyant sur la pédale de marche/arrêt placé sur le corps principal de l'aspirateur. [7]
5. Ajustez l'aspiration en glissant le curseur d'aspirateur jusqu'au niveau voulu. [8]
6. Eteignez l'aspirateur après utilisation en appuyant sur la pédale de marche/arrêt. Débranchez l'aspirateur et enroulez le cordon d'alimentation dans l'aspirateur en appuyant sur la pédale d'enroulement du cordon [F].

#### Section parking et rangement

7. Le tube peut être mis en position « parking » pour rangement ou rangement temporaire pendant l'utilisation. [9]

## ACCESSOIRES

Pour obtenir la meilleure performance et efficacité, il est conseillé d'utiliser les bonnes brosses pour les principales opérations de nettoyage. Ces brosses sont indiquées dans les diagrammes par les lettres **GP**, **HF** ou **CA**.

Le type de brosse **GP** peut être utilisé pour nettoyer la moquette et les sols durs.

Le type de brosse **HF** n'est adapté que pour les sols durs.

Le type de brosse **CA** n'est adapté que pour les moquettes.

Les autres brosses sont des accessoires de nettoyage spécialisées et sont conseillées pour des usages occasionnels uniquement.

Le suceur plat\*, la brosse à meubles\* et la brosse à poussière\*\* sont rangés sur le tube télescopique à travers un support d'accessoires pratique. Ils peuvent s'adapter à la poignée du flexible ou à l'extrémité du tube télescopique.

Sur certains modèles la brosse à poussière est facilement intégrée dans la poignée du flexible.

**Brosse meuble\*\*** – Pour étagères, cadres, claviers et autres surfaces délicates. [X1]

**Suceur plat\*** – Pour coins et endroits difficiles d'accès. [X2]

**Petit suceur\*** – Pour tissus d'ameublement. [X3]

**Brosse parquet\*** – Pour parquets et autres sols délicats. [AA]

**Mini turbobrosse pour élimination des poils d'animaux domestiques\*** - Mini turbo brosse pour escaliers ou nettoyage en profondeur des surfaces textiles et autres surfaces difficiles à aspirer. Particulièrement efficace pour éliminer les poils d'animaux. [Y]

**Mini turbobrosse pour élimination des poils d'animaux domestiques, limitant la prolifération des bactéries\*** – Mini turbo brosse pour escaliers ou nettoyage en profondeur des surfaces textiles et autres surfaces difficiles à aspirer. Particulièrement efficace pour

éliminer les allergènes. [Z]

**IMPORTANT** : N'utilisez pas les suceurs mini turbo sur les tapis à franges longues, les peaux d'animaux ou les moquettes à poils de plus de 15 mm de longueur. Ne pas laisser la brosse fixe au sol lorsque la turbo brosse est activé.

## ENTRETIEN DE L'ASPIRATEUR

### Vider le bac à poussière

Lorsque la poussière atteint le repère de niveau maximum, videz le bac à poussière.

**IMPORTANT** : Afin de maintenir la performance optimale de l'appareil, ne laissez pas la poussière s'accumuler au-delà du niveau maximum.

1. Arrêtez l'aspirateur à l'aide de l'interrupteur principal et débranchez le câble d'alimentation.
2. Appuyez sur le bouton de déverrouillage du volet du bac à poussière et retirez l'ensemble de bac à poussière de l'aspirateur. [10]
3. Tenez le bac à poussière d'une main et appuyez sur le déclencheur d'échappement du volet du bac à poussière. [13]
4. Fermez le volet du bac à poussière et remettez-le sur le corps principal de l'aspirateur. [10]

### Nettoyage des filtres lavables

L'aspirateur est équipé d'un pré-moteur et d'un filtre d'évacuation. Pour maintenir une performance optimale de nettoyage, enlevez régulièrement les filtres et tapez-les sur le côté pour dégager la poussière du conteneur de déchets. Les filtres doivent être lavés après avoir vidé 5 fois le réservoir à poussière ou lorsqu'ils sont encrassés.

**IMPORTANT** : Tous les aspirateurs sans sac nécessitent un nettoyage régulier du filtre. Un défaut de nettoyage des filtres peut entraîner un blocage d'air, une surchauffe et un défaut du produit. Ceci peut annuler votre garantie.

**IMPORTANT** : Contrôlez et entretenez régulièrement les filtres.

**IMPORTANT** : Veillez toujours à ce que le jeu de filtre soit bien sec avant utilisation.

### Pour accéder au filtre :

1. Appuyez sur le bouton de déverrouillage du volet du bac à poussière et retirez l'ensemble de bac à poussière de l'aspirateur. [10]
2. Tenez le bac à poussière d'une main et avec l'autre main, appuyez sur le bouton de verrouillage du volet du bac à poussière pour ouvrir le volet du bac. [11]
3. Retirez le filtre pré-moteur placé sur le volet du bac. [14]
4. Tapotez doucement et lavez le filtre pré-moteur. N'utilisez pas d'eau chaude ou de détergents. Éliminez l'excédent d'eau du filtre et laissez-le sécher complètement avant de le réutiliser. [17,18]
5. Remontez le filtre pré-moteur sur le volet du bac à poussière une fois qu'il est entièrement sec et remettez-le sur l'aspirateur.

**IMPORTANT** : N'utilisez pas l'aspirateur sans les filtres.

### Pour accéder au filtre d'évacuation

1. Débloquez la porte du filtre d'évacuation en appuyant sur deux boutons et en tirant vers l'extérieur à partir de l'aspirateur principal. [15]



2. Retirez le jeu de filtre de son logement en tirant le dispositif d'ouverture facile du filtre d'évacuation. [16]
3. Tapotez doucement et lavez l'unité de filtre. N'utilisez pas d'eau chaude ou de détergents. Éliminez l'excédent d'eau du filtre et laissez-le sécher complètement avant de l'utiliser. [17,18]
4. Remontez le jeu de filtre une fois qu'il a entièrement séché et remettez-le sur l'aspirateur en le réinsérant en place et en le poussant pour qu'il entre complètement dans son logement. [16]
5. Verrouillez le couvercle du filtre d'évacuation en appuyant sur le bord qui dispose des fixations ; vous entendrez un déclic une fois que la porte du filtre d'évacuation se mettra en place. [15]

**IMPORTANT** : N'utilisez pas l'aspirateur sans les filtres.

#### **Nettoyage de la cuve à poussière/de l'unité de séparation**

Cet aspirateur dispose d'un système de séparation unique à Hoover. Si nécessaire, vous pouvez démonter l'unité de séparation du bac à poussière pour la nettoyer.

1. Appuyez sur le bouton de déverrouillage du volet du bac à poussière et retirez l'ensemble de bac à poussière de l'aspirateur. [10]
2. Tenez le bac à poussière d'une main et avec l'autre main, appuyez sur le bouton de verrouillage du volet du bac à poussière pour ouvrir le volet du bac à poussière. [11]
3. Retirez le détecteur Vortex (rouge) du corps de cyclone. [12]
4. Retirez le corps de cyclone du bac à poussière. [13]
5. Si nécessaire, utilisez un chiffon pour retirer l'excès de poussière de détecteur Vortex rouge et de la surface du corps de cyclone.
6. Placez le bac à poussière sous le robinet. [17] Rincez à l'eau tiède. Nettoyez les surfaces internes du bac à poussière avec de l'eau uniquement. N'UTILISEZ EN AUCUN CAS un détergent pour nettoyer l'intérieur du bac à poussière.
7. Remontez le composant interne sur le bac à poussière, tout en vous assurant que tous les composants sont secs.
8. Fermez le volet du bac à poussière et remettez l'ensemble de bac à poussière sur l'aspirateur.

#### **Élimination d'une obstruction**

1. Vérifiez si le bac à poussière est plein. Si c'est le cas, voir « Pour vider le bac à poussière ».
2. Si le bac à poussière est vide mais que l'aspirateur aspire mal :
  - A. Les filtres ont-ils besoin d'être nettoyés ? Si c'est le cas, voir « Pour nettoyer les filtres lavables ».
  - B. Vérifiez qu'il n'y ait pas de blocage à un autre endroit du système. - Si les obstructions sont dans le tube de rallonge, le flexible ou encore la brosse, enlevez-les à l'aide d'une tige.
  - C. Vérifiez que le filtre pré-moteur est en place.
  - D. Vérifiez si l'unité de séparation doit être nettoyée. Consultez la section «Nettoyage du séparateur».

## **LISTE DE CONTRÔLE UTILISATEUR**

En cas de problèmes avec l'appareil, effectuez les vérifications de la liste de vérifications avant d'appeler le service après-vente Hoover.

- L'aspirateur est-il alimenté en électricité ? Veuillez vérifier la prise utilisée avec un autre appareil électrique.
- Le bac à poussière est-il saturé ? Veuillez vous reporter à « Entretien de l'aspirateur ».
- Le filtre est-il encrassé ? Veuillez vous reporter à « Entretien de l'aspirateur ».
- Le tube ou le flexible est-il bouché ? Veuillez vous reporter à « Pour éliminer une obstruction ».
- L'aspirateur a-t-il surchauffé ? Si c'est le cas, il lui faudra environ 30 minutes pour se réinitialiser automatiquement.

## **INFORMATIONS IMPORTANTES**

### **Pièces détachées et consommables Hoover**

Toujours remplacer les pièces par des pièces détachées de la marque Hoover. Celles-ci sont disponibles auprès de votre revendeur Hoover. Lors de la commande de pièces, veuillez toujours préciser le numéro de votre modèle.

### **Service Hoover**

Pour toute intervention à tout moment, veuillez contacter le service après-vente Hoover le plus proche.

### **Qualité**

BSI ISO 9001: La qualité des usines Hoover a fait l'objet d'une évaluation indépendante. Nos produits sont fabriqués selon un système de qualité conforme à la norme ISO 9001.

### **Votre garantie**

Les conditions de garantie de cet appareil sont définies par notre représentant dans le pays où il est vendu et peuvent être obtenues auprès de votre revendeur. Les détails concernant ces conditions peuvent être obtenues auprès du revendeur auprès duquel l'appareil a été acheté. La facture d'achat ou le reçu doivent être présentés pour toutes réclamations relevant des conditions de cette garantie.

Ces conditions peuvent être modifiées sans préavis.

## HINWEISE FÜR DIE SICHERE BENUTZUNG

Dieses Gerät ist nur zum Gebrauch im Haushalt und nicht für gewerbliche Zwecke bestimmt. Sie sollten das Gerät ausschließlich gemäß den Angaben in dieser Bedienungsanleitung verwenden. Vor dem Gebrauch des Gerätes muss die vorliegende Bedienungsanleitung vollständig gelesen und verstanden worden sein.

Ziehen Sie den Netzstecker nach Gebrauch aus der Steckdose. Vor der Reinigung oder Wartung das Gerät stets ausschalten, den Netzstecker aus der Steckdose ziehen und abkühlen lassen.

Dieses Gerät darf von Kindern ab 8 Jahren, sowie körperlich, geistig oder sensorisch behinderten Personen bzw. Personen ohne Erfahrung und Kenntnisse im Gebrauch nur unter Aufsicht oder unter Anleitung für die sichere Benutzung und den damit verbundenen Gefahren benutzt werden. Kinder sollten nicht unbeaufsichtigt mit dem Gerät spielen. Reinigungs- und Wartungsarbeiten dürfen von Kindern nur unter Aufsicht ausgeführt werden.

Ist das Netzkabel beschädigt, darf das Gerät NICHT mehr benutzt werden. Im Falle eines Defektes darf das Netzkabel nur durch einen autorisierten HOOVER-Kundendiensttechniker ausgetauscht werden.

Hände, Füße, lose Kleidung und Haare von den rotierenden Bürsten fernhalten.

Verwenden Sie nur von HOOVER empfohlene oder gelieferte Zubehörteile, Verbrauchsmaterialien und Ersatzteile.

**Statische Aufladung:** Manche Teppiche können die Bildung statischer Elektrizität verursachen. Diese ist jedoch sehr gering und bei Entladung nicht gesundheitsschädlich.

Benutzen Sie das Gerät nicht im Freien, auf nassen Oberflächen oder zur Aufnahme von feuchtem Schmutz.

Vermeiden Sie es, harte oder scharfe Gegenstände, Streichhölzer, heiße Asche, Zigarettenkippen oder Ähnliches aufzusaugen.

Niemals entzündliche Flüssigkeiten, Reinigungsmittel, Aerosole oder deren Dämpfe auf das Gerät sprühen oder damit aufsaugen.

Während des Betriebs nicht über das Netzkabel fahren. Nicht am Kabel ziehen, um den Gerätestecker aus der Steckdose zu ziehen.

Stellen Sie die Verwendung des Gerätes ein, wenn ein Defekt am Gerät vermutet wird.

**HOOVER-Kundendienst:** Um auf Dauer den sicheren und effizienten Betrieb dieses Gerätes zu gewährleisten, empfehlen wir, Wartungs- und Reparaturarbeiten ausschließlich von einem zugelassenen HOOVER-Kundendienst durchführen zu lassen.

Treten Sie beim Gebrauch des Gerätes nicht auf das Netzkabel und wickeln es sich nicht um Arme oder Beine.

Benutzen Sie das Gerät nicht zur Reinigung von Menschen oder Tieren.

Positionieren Sie das Gerät bei der Reinigung von Treppen nicht oberhalb von Ihnen.

### Umweltschutz

Das am Gerät angebrachte Symbol gibt an, dass dieses Gerät nicht als Hausmüll behandelt werden darf, sondern an einer entsprechenden Sammelstelle für das Recycling von elektrischen und elektronischen Geräten zu entsorgen ist. Die Entsorgung ist in Übereinstimmung mit allen geltenden Vorschriften für die umweltgerechte Abfallentsorgung vorzunehmen. Ausführlichere Informationen über die Müllbehandlung und das Recycling dieses Gerätes erhalten Sie von der zuständigen Umweltbehörde, der Müllentsorgungsstelle Ihrer Kommune oder dem Händler, bei dem Sie das Gerät erworben haben.



**CE** Dieses Gerät erfüllt die Europäischen Richtlinien 2014/35/EU, 2014/30/EU und 2011/65/EU.

CANDY HOOVER GROUP S.r.l. Via Privata Eden Fumagalli, 20861 Brugherio (MB) Italy

## GERÄTEBESCHREIBUNG

- |   |   |
|---|---|
| A. Aufbau des Staubbehälters                  | Q. Rasterteleskoprohr**                       |
| B. Gerätekorpus                               | Qa. Teleskoprohr-Schnappverschluss*           |
| C. EIN-/AUS-Schalter                          | Qb. Teleskoprohr-Längenverstellung**          |
| D. Parkposition                               | R. Teppich- und Bodendüsen-Schnappverschluss* |
| E. Taste zur Entfernung des Staubbehälters    | S. Umschaltbare Bodendüse (GP)**              |
| F. Fußtaste für automatische Kabelaufwicklung | S1. Teppichbodendüse (CA)**                   |
| G. Staubbehälter                              | S2. Hartbodendüse (HF)**                      |
| H. Zykloneinheit                              | T. Schieberegler Umschaltbare Bodendüse*      |
| I. Vortex-Einheit ( Rot Metallic )            | U. Bodenbelagswahlschalter*                   |
| J. Staubbehälterdeckel                        | V. Vormotorfilter                             |
| K. Entriegelungsknopf für Staubbehälterklappe | W. Abluftfilter                               |
| L. Taste zur Öffnung des Staubbehälterdeckels | X1. Möbelpinsel**                             |
| M. Saugschlauch                               | X2. Fugendüse*                                |
| N. Handgriff**                                | X3. Polsterdüse*                              |
| O. Nebenluftregelung*                         | Y. Miniturbodüse*                             |
| P. Zubehörhalter*                             | Z. Miniturbodüse*                             |
|   | AA. Hartbodendüse*                            |

## ZUSAMMENBAU DES GERÄTES

Nehmen Sie alle Teile des Gerätes aus dem Karton.

1. Befestigen Sie das eine Ende des Saugschlauches am Gerätekorpus, so dass es spürbar einrastet. Freigabe: Drücken Sie die Schlauchentriegelungstaste am Ende des Saugschlauches und ziehen den Schlauch heraus. [1]
2. Schließen Sie den Schlauchhandgriff oder bei Bedarf das Zubehör am oberen Ende vom Verlängerungsrohr an [2a]. [2b]
3. Schließen Sie das untere Ende des Verlängerungsrohrs an der Teppich- und Bodendüse\*\* [3a], oder bei Bedarf am Zubehör an. [3b]
4. Das Reinigungszubehör\* kann nach der Benutzung am unteren Teil des Verlängerungsrohrs mit dem mitgelieferten Zubehörhalter aufbewahrt werden\*.

## GEBRAUCH DES GERÄTES

1. Ziehen Sie das Netzkabel raus und schließen es an eine Steckdose an. Ziehen Sie das Kabel keinesfalls weiter, als bis zur roten Markierung heraus. [4]
2. Um das Verlängerungsrohr\*\* auf die gewünschte Höhe einzustellen, verschieben Sie die Verlängerungsrohrverstellung\*\* nach oben oder unten auf die Position, die für Sie zur Reinigung am bequemsten ist. [5]
3. Um den idealen Reinigungsmodus für die Bodenart auszuwählen, drücken Sie nach dem Anschließen des unteren Teleskoprohres an der umschaltbaren Bodendüse\*\*, auf der Düse das Pedal zur Auswahl\* der Bodenart:  
**Hartboden** – Der Borstenkranz wird zum Schutz des Bodens abgesenkt.  
**Teppichboden** – Besonders gründliche Reinigung durch Anheben der Bürsten.

**Teppich- und Bodendüse\*\*:** [6]

- **Hartbodenreinigung:** Drücken Sie das Pedal auf der Düse auf Hartbodenmodus und

stellen Sie den Schieberegler auf der Düse auf ALLE BÖDEN. In dieser Position werden die Bürsten, Räder und das Wischblatt zu Schutz des Hartbodens abgesenkt. [6a]

- **Normale Teppichboden- und Vorlegerreinigung:** Drücken Sie das Pedal auf der Düse auf Teppichbodenmodus und stellen Sie den Schieberegler auf der Düse auf ALLE BÖDEN. In dieser Position werden die Bürsten und das Wischblatt angehoben, während die Räder abgesenkt bleiben, um die perfekte Bewegung auf diesen Böden zu erleichtern. [6b]

- **Tiefgehende Teppichreinigung:** Drücken Sie das Pedal auf der Düse auf Teppichbodenmodus und stellen Sie den Schieberegler auf der Düse auf TIEFGEHENDE TEPPICHREINIGUNG. In dieser Position werden die Bürsten, Räder und das Wischblatt für eine tiefgehende Reinigung Ihres Teppichbodens angehoben. [6c]

**WARNUNG:** Um mögliche Kratzer auf Holzböden zu vermeiden, wird empfohlen, das Pedal nicht auf den Hartbodenmodus und den Schieberegler nicht auf tiefgehende Teppichreinigung einzustellen.

4. Schalten Sie das Gerät ein, indem Sie die Ein-/Aus-Taste betätigen. [7]
5. Stellen Sie die Saugstärke durch Verschieben des Saugkraftreglers\* auf die gewünschte Stufe ein. [8]
6. Nach Gebrauch durch erneutes Betätigen der Ein-/Aus-Taste ausschalten. Ziehen Sie den Stecker raus und drücken die Kabelaufwickeltaste [F], wodurch das Netzkabel in das Gerät eingezogen wird.

## Aufbewahrung

7. Das Rohr kann während der Benutzung des Gerätes auf der Rückseite des Gerätes dauerhaft oder vorübergehend aufbewahrt werden. [9]

## ZUBEHÖR

Um die beste Leistung und Effizienz zu erzielen wird empfohlen, dass die richtigen Düsen für den Hauptreinigungsbetrieb verwendet werden. Die Düsen werden in den Diagrammen mit den Bezeichnungen GP, HF oder CA gekennzeichnet.

Die Düse mit der Bezeichnung GP kann zur Reinigung von Teppichen und Hartböden verwendet werden.

Die Düse mit der Bezeichnung HF ist nur für die Reinigung von Hartböden geeignet.

Die Düse mit der Bezeichnung CA ist nur für die Reinigung von Teppichen geeignet.

Die anderen Düsen sind Zubehör für besondere Reinigungsaufgaben und werden nur für die fallweise Benutzung empfohlen.

Die Fugendüse\*, Möbeldüse\* und der Möbelpinsel\*\* sind mit einem praktischen Zubehörhalter auf dem Teleskoprohr befestigt. Sie können am Griff oder Ende des Teleskoprohres befestigt werden.

Bei bestimmten Modellen ist der Möbelpinsel bequem im Schlauchhandgriff integriert.

**Möbelpinsel\*\*** – Für Bücherregale, Bilderrahmen, Tastaturen und andere empfindliche Bereiche. [X1]

**Fugendüse\*** – Ideal zur Reinigung von Ecken und schwer zugänglichen Bereichen. [X2]

**Polsterdüse\*** – Ideal zur Reinigung von Polstermöbeln. [X3]

**Hartbodendüse\*** – Ideal zur Reinigung von Parkettböden und anderen empfindlichen Hartböden. [AA]

**Miniturbodüse\*** - Die Miniturbodüse eignet sich speziell zur Reinigung von Matratzen und Polstermöbeln. Besonders geeignet zur Entfernung von Tierhaaren. [Y]

**Miniturbodüse\*** – Die Miniturbodüse eignet sich speziell zur Reinigung von Matratzen und Polstermöbeln. Reinigt Matratzen und Polstermöbel besonders gründlich. [Z]

**WICHTIG:** Benutzen Sie die Miniturbodüse nicht auf Teppichen und Vorlegern mit langen Fransen, auf Tierfellen und auf über 15 mm tiefem Teppichflor. Halten Sie die Düse bei sich drehender Bürstwalze nicht still.

## WARTUNG DES GERÄTES

### Leeren des Staubbehälters

Der Staubbehälter muss spätestens dann geleert werden, wenn die MAX-Marke am Behälter erreicht ist.

**WICHTIG:** Bitte beachten Sie, dass zur Aufrechterhaltung der optimalen Leistungsfähigkeit Ihres Geräts der Staubbehälter nicht über die MAX.-Marke gefüllt sein sollte.

1. Schalten Sie den Staubsauger mit dem Hauptschalter aus und ziehen Sie den Stecker aus der Steckdose.
2. Drücken Sie die Freigabetaste für den Staubbehälter und nehmen den Staubbehälter aus dem Staubsauger heraus. [10]
3. Halten Sie den Staubbehälter mit einer Hand über einen Abfalleimer und drücken Sie mit der anderen Hand auf den Entriegelungsknopf des Staubbehälterdeckels. [13]
4. Schließen Sie die Staubbehälterklappe und setzen den Staubbehälter wieder in den Staubsauger ein. [10]

### Reinigung der waschbaren Filter

Der Staubsauger ist mit einem Vormotor- und Abluftfilter ausgestattet. Um die optimale Reinigungsleistung sicherzustellen, entfernen Sie regelmäßig die Filter und klopfen Sie damit gegen die Seite eines Abfallbehälters, um den Staub zu lösen. Waschen Sie die Filter spätestens alle fünf Monate oder wenn diese stark verschmutzt sind mit lauwarmem Wasser aus.

**WICHTIG:** Alle beutellosen Staubsauger müssen regelmäßig gereinigt und gewartet werden. Werden die Filter nicht gereinigt, kann dies zu Verstopfung, Überhitzung und damit zu einem Produktausfall führen. Dadurch erlischt möglicherweise Ihre Garantie.

**WICHTIG:** Die Filter regelmäßig überprüfen und warten.

**WICHTIG:** Die Filter immer erst dann benutzen, wenn sie vollständig getrocknet sind.

### Herausnehmen der Filter:

1. Drücken Sie die Freigabetaste für den Staubbehälter und nehmen den Staubbehälter aus dem Staubsauger heraus. [10]
2. Halten Sie die Staubbehälter mit einer Hand fest und drücken Sie mit der anderen Hand auf die Behälterklappenfreigabetaste, um den Deckel zu öffnen. [11]
3. Nehmen Sie den Vormotorfilter aus dem Behälterdeckel heraus. [14]
4. Klopfen Sie den Vormotorfilter vorsichtig aus und waschen Sie ihn. Verwenden Sie kein heißes Wasser und keine Reinigungsmittel. Entfernen Sie das überschüssige Wasser aus dem Filter und lassen Sie ihn vor erneuter Verwendung gründlich trocknen. [17,18]
5. Setzen Sie den Vormotorfilter, nachdem er vollständig getrocknet ist, wieder in den

Behälterdeckel ein.

**WICHTIG:** Das Gerät darf auf keinen Fall ohne die Filter benutzt werden.

### Entfernen des Abluftfilters:

1. Entriegeln Sie die Abluftfilterklappe durch Drücken der beiden Tasten und ziehen Sie diese aus dem Gerätekorpus. [15]
2. Nehmen Sie den Filter aus der Vertiefung, indem Sie ihn an der Öse vom Abluftfilter ziehen. [16]
3. Klopfen Sie den Filter vorsichtig aus und reinigen ihn. Verwenden Sie kein heißes Wasser und keine Reinigungsmittel. Entfernen Sie das überschüssige Wasser aus dem Filter und lassen ihn vor erneuter Verwendung vollständig trocknen. [17,18]
4. Bauen Sie das Filterpaket, nachdem es vollständig getrocknet ist, wieder zusammen und setzen Sie es in den Staubsauger ein, in dem Sie es hinein drücken, bis es nicht weiter gedrückt werden kann. [16]
5. Verriegeln Sie die Abluftfilterabdeckung, indem Sie auf die Kante mit den Clips drücken. Sie werden ein Klickgeräusch hören, wenn die Abdeckung richtig eingerastet ist. [15]

**WICHTIG:** Das Gerät darf auf keinen Fall ohne die Filter benutzt werden.

### Reinigung des Staubbehälters/der Airvolution-Funktionseinheit

Dieser Staubsauger nutzt eine spezielle Schmutzabscheidereinheit. Bei Bedarf kann sie aus dem Staubbehälter ausgebaut und gereinigt werden.

1. Drücken Sie die Freigabetaste für den Staubbehälter und nehmen den Staubbehälter aus dem Staubsauger heraus. [10]
2. Halten Sie die Staubbehälter mit einer Hand fest und drücken Sie mit der anderen Hand auf die Behälterklappe-Freigabetaste, um den Staubbehälterdeckel zu öffnen. [11]
3. Nehmen Sie den Vortex-Finder (rot) von der Zykcloneinheit ab. [12]
4. Nehmen Sie die Zykcloneinheit vom Staubbehälter ab. [13]
5. Falls erforderlich, können Sie bei starker Verschmutzung den Vortex-Finder und die Zykcloneinheit mit einem Lappen abwischen.
6. Einfach unter fließendem Wasser abspülen. [17] Bitte verwenden Sie ausschließlich lauwarmes Wasser zur Reinigung. Waschen Sie nur die Innenflächen des Behälters mit Wasser aus. Verwenden Sie hierzu keine Seife und keine Reinigungsmittel.
7. Bauen Sie alle Innenteile, wenn diese trocken sind, wieder in den Staubbehälter ein.
8. Schließen Sie den Staubbehälterdeckel und setzen Sie die Staubbehälterbaugruppe wieder in den Staubsauger ein.

### Entfernen einer Verstopfung

1. Füllstand des Staubbehälters prüfen. Ist er voll, siehe „Leeren des Staubbehälters“.
2. Wenn der Staubbehälter leer und die Saugleistung weiterhin niedrig ist:
  - A. Müssen die Filter gereinigt werden? Falls ja, siehe Kapitel „Reinigung der waschbaren Filter“.
  - B. Prüfen Sie, ob der Saugtrakt an einer anderen Stelle verstopft ist. - Entfernen Sie Verstopfungen im Teleskoprohr oder im Saugschlauch mit einem Stab.
  - C. Prüfen Sie, ob der Vormotorvorfilter richtig eingebaut ist.
  - D. Prüfen Sie, ob die Multizykcloneinheit gereinigt werden muss. Weitere Informationen finden Sie unter Reinigung der Schmutzabscheidereinheit.

## PRÜFLISTE ZUR FEHLERSUCHE

Bitte prüfen Sie zunächst die einzelnen Punkte dieser Prüfliste, bevor Sie sich bei einem Problem an Ihre zuständige Hoover-Kundendienststelle wenden.

- Ist die Stromversorgung in Ordnung? Bitte überprüfen Sie diese mit einem anderen elektrischen Gerät.
- Ist der Staubbehälter voll? Siehe „Wartung des Staubsaugers“.
- Ist einer der Filter zugesetzt? Siehe „Wartung des Staubsaugers“.
- Ist der Saugschlauch oder die Düse verstopft? Siehe „Verstopfung des Saugtraktes beheben“.
- Ist der Staubsauger überhitzt? Falls ja, dauert es ca. 30 Minuten, bis der Überhitzungsschutz sich automatisch abschaltet.

## WICHTIGE INFORMATIONEN

### Hoover Ersatzteile und Verbrauchsmaterial

Verwenden Sie stets Originalersatzteile von Hoover. Diese sind über den Hoover-Kundendienst erhältlich. Geben Sie bei der Bestellung von Ersatzteilen bitte stets die komplette 16stellige Artikelnummer (Typenplakette auf der Rückseite des Gerätes) Ihres Gerätemodells an.

### Hoover-Kundendienst

Zur Wartung oder Reparatur Ihres Produktes wenden Sie sich bitte an Ihre zuständige Hoover-Kundendienststelle.

### Qualität

BSI ISO 9001: Die Hoover-Werke wurden unabhängig voneinander jeweils einer Qualitätsprüfung unterzogen. Unsere Produkte werden nach einem Qualitätsstandard hergestellt, der die Anforderungen von ISO 9001 erfüllt.

### Garantieerklärung

Die Garantiebestimmungen für dieses Gerät entsprechen den Richtlinien des Landes, in dem Sie das Gerät erworben haben. Weitere Einzelheiten dazu erhalten Sie vom Händler, bei dem Sie das Gerät erworben haben oder aus dem roten Garantieheft, das der Verpackung beiliegt. Bitte bewahren Sie den Kaufbeleg sorgfältig auf, denn er wird für eventuell auftretende Garantieansprüche benötigt.  
Änderungen vorbehalten.

## ISTRUZIONI PER UN USO SICURO

Questo apparecchio deve essere utilizzato esclusivamente in ambito domestico per interventi di pulizia, secondo le istruzioni riportate nel presente documento. Accertarsi di aver compreso le istruzioni prima di mettere in funzione l'apparecchio.

Non lasciare l'apparecchio collegato alla corrente. Prima di procedere alla pulizia dell'apparecchiatura o di effettuare qualsiasi operazione di manutenzione, spegnere sempre l'apparecchio e scollegare la spina.

Questo elettrodomestico non è destinato a essere utilizzato da persone dalle ridotte capacità fisiche, sensoriali o mentali (bambini inclusi), senza una adeguata assistenza o controllo da parte di una persona adulta responsabile della loro sicurezza. Controllare che i bambini non giochino con l'apparecchio. Pulizia e manutenzione non possono essere eseguite da bambini senza sorveglianza da parte di una persona responsabile.

Se il cavo di alimentazione è danneggiato, interrompere immediatamente l'utilizzo dell'apparecchio. Per evitare pericoli, il cavo di alimentazione dovrà essere sostituito da un tecnico del servizio assistenza autorizzato HOOVER.

Tenere le mani, i piedi, i capi di abbigliamento non attillati e i capelli lontani dalle spazzole rotanti.

Utilizzare solo accessori o parti di consumo e di ricambio consigliati o forniti da HOOVER.

**Elettricità statica:** alcuni tappeti possono produrre un accumulo di elettricità statica. Le cariche di elettricità statica non sono pericolose per la salute.

Non utilizzare l'apparecchio all'aperto, su superfici bagnate o per aspirare liquidi.

Non aspirare oggetti solidi o appuntiti, fiammiferi, ceneri calde, mozziconi di sigaretta o similari.

Non vaporizzare o aspirare liquidi infiammabili, detergenti, aerosol o i loro vapori.

Non calpestare il cavo di alimentazione durante l'utilizzo dell'apparecchio o scollegare la spina dalla presa tirando il cavo di alimentazione.

Non continuare a utilizzare l'apparecchio in caso di presunto guasto.

**Assistenza HOOVER:** Per garantire un funzionamento sempre sicuro ed efficiente dell'apparecchiatura, si consiglia di fare eseguire eventuali interventi di assistenza o di riparazione dai tecnici del servizio assistenza autorizzato HOOVER.

Non calpestare il cavo di alimentazione o avvolgerlo intorno alle braccia o alle gambe mentre si usa l'apparecchio.

Non utilizzare l'apparecchio per l'igiene della persona o degli animali.

Non collocare l'apparecchio in una posizione più bassa rispetto alla propria quando si puliscono delle scale.

#### Ambiente:

Il simbolo apposto sul prodotto indica che lo stesso non può essere smaltito come i normali rifiuti domestici, bensì deve essere portato al punto di raccolta o al centro di riciclaggio delle apparecchiature elettriche ed elettroniche più vicino. Lo smaltimento deve essere eseguito in conformità alle normative locali vigenti per la salvaguardia dell'ambiente e lo smaltimento dei rifiuti. Per ulteriori informazioni sul trattamento, il recupero e il riciclaggio di questo prodotto, contattare l'unità territoriale competente per il servizio di smaltimento o il negozio in cui il prodotto è stato acquistato.



**CE** Questo prodotto è conforme alle Direttive Europee 2014/35/EU, 2014/30/EU e 2011/65/EU.

CANDY HOOVER GROUP S.r.l. Via Privata Eden Fumagalli, 20861 Brugherio (MB) Italy

## DESCRIZIONE DELL'APPARECCHIO

- |   |   |
|---|---|
| A. Gruppo contenitore raccogli-polvere                                    | O. Regolatore forza aspirante*                                      |
| B. Corpo principale dell'apparecchio                                      | P. Portaccessori*   |
| C. Pulsante a pedale Accensione/<br>Spegnimento                           | Q. Tubo telescopico**   |
| D. Alloggiamento tubo in<br>posizione di parcheggio                       | Qa. Levetta tubo telescopico*                                       |
| E. Pulsante sblocco contenitore<br>raccogli-polvere                       | Qb. Dispositivo di controllo del tubo telescopico**                 |
| F. Pedale di riavvolgimento del cavo                                      | R. Levetta spazzola tappeti e pavimenti*                            |
| G. Contenitore raccogli-polvere   | S. Spazzola tappeti e pavimenti (GP)**                              |
| H. Apparato ciclonico   | S1. Spazzola per tappeti (CA)**                                     |
| I. Condotto d'uscita (Rosso metallico)                                    | S2. Spazzola per pavimenti duri (HF)**                              |
| J. Coperchio contenitore raccogli-polvere                                 | T. Corsore spazzola tappeti e pavimenti*                            |
| K. Levetta di sblocco dello sportello<br>del contenitore raccogli-polvere | U. Pedale selettore tipo pavimento*                                 |
| L. Pulsante di sblocco del coperchio<br>del contenitore raccogli-polvere  | V. Filtro pre-motore  |
| M. Tubo flessibile  | W. Filtro in uscita   |
| N. Impugnatura tubo**   | X1. Spazzola a pennello**   |
|   | X2. Bocchetta per fessure*  |
|   | X3. Spazzola per tutti gli usi*                                     |
|   | Y. Mini turbospazzola per rimuovere<br>i peli di animali domestici* |
|   | Z. Mini turbospazzola per rimuovere gli allergeni*                  |
|   | AA. Spazzola Parquet*   |

## MONTAGGIO DELL'APPARECCHIO

Disimballare tutti i componenti.

1. Collegare il tubo flessibile al corpo principale dell'apparecchio, assicurandosi che si agganci e si blocchi in posizione. Per disinserire il tubo, è sufficiente premere il pulsante all'estremità del tubo flessibile e tirare per estrarlo. [1]
2. Collegare l'impugnatura del tubo flessibile all'estremità superiore della prolunga del tubo [2a] o, se necessario, agli accessori. [2b]
3. Collegare l'estremità inferiore della prolunga del tubo alla spazzola per tappeti e pavimenti\*\* [3a] o, se necessario, agli accessori. [3b]
4. Dopo l'uso, è possibile riporre il set accessori\* per la pulizia sul lato inferiore della prolunga del tubo utilizzando l'apposito portaccessori fornito\*.

## UTILIZZO DELL'APPARECCHIO

1. Estrarre il cavo di alimentazione e inserirlo in una presa di corrente. Non tirare il cavo oltre l'indicatore rosso. [4]
2. Regolare la prolunga del tubo all'altezza desiderata spostando il suo regolatore\*\* in alto o in basso fino a trovare la posizione di pulizia più confortevole. [5]
3. Dopo aver collegato l'estremità inferiore del tubo telescopico alla spazzola\*\* per tappeti e pavimenti premere il pedale sulla spazzola\* per selezionare la modalità di pulizia ideale per il tipo di pavimento:

**Pavimento** – Le setole si abbassano per proteggere il pavimento.

**Tappeto/moquette** – Le spazzole si sollevano per garantire una pulizia più in profondità.

**Spazzola tappeti e pavimenti\*\*:** [6]

- **Pulizia pavimentazioni dure:** Premere il pedale sulla spazzola in modalità "Pavimenti Duri" e selezionare con il cursore sulla spazzola la modalità "TUTTI I PAVIMENTI". In questa modalità



spazzole, ruote e spatole tergicristallo vengono abbassate per proteggere i pavimenti duri. [6a]

- **Pulizia standard per tappeti e moquette:** Premere il pedale sulla spazzola in modalità "Tappeti" e selezionare con il cursore sulla spazzola la modalità "TUTTI I PAVIMENTI". In questa modalità spazzole e spatole tergicristallo vengono sollevate, mentre le ruote sono abbassate per facilitare il movimento su queste superfici. [6b]

- **Pulizia profonda per tappeti:** Premere il pedale sulla spazzola in modalità "Tappeti" e selezionare con il cursore sulla spazzola la modalità "PULIZIA PROFONDA TAPPETI". In questa modalità spazzole, ruote e spatole tergicristallo vengono sollevate per pulire a fondo il tappeto. [6c]

**ATTENZIONE:** Per evitare graffiature a pavimenti in legno prestare attenzione e non posizionare il pedale in modalità "Pavimenti duri" e il cursore in modalità "PULIZIA PROFONDA TAPPETI".

4. Accendere l'apparecchio premendo il pulsante a pedale di accensione/spengimento sul corpo principale dell'aspirapolvere. [7]
5. Regolare l'intensità di aspirazione muovendo il dispositivo di regolazione\* al livello desiderato. [8]
6. Dopo l'uso, spegnere l'apparecchio premendo il pulsante a pedale di accensione/spengimento. Staccare la spina e premere il pedale di riavvolgimento del cavo [F] per riavvolgere il cavo di alimentazione nell'apparecchio.

#### Stazionamento e Parcheggio

7. Il tubo può essere parcheggiato sul retro dell'apparecchio per essere riposto o per uno stazionamento temporaneo durante l'uso. [9]

## ACCESSORI

Per ottenere prestazioni ottimali ed efficienza, è consigliato usare le spazzole appropriate per le principali operazioni di pulizia. Queste spazzole sono indicate nel diagramma con le lettere **GP**, **HF** o **CA**.

La spazzola di tipo **GP** è adatta per pulire sia tappeti che pavimenti duri.

La spazzola di tipo **HF** è adatta solo per la pulizia dei pavimenti duri.

La spazzola di tipo **CA** è adatta solo per la pulizia dei tappeti.

Le altre spazzole sono accessorie per operazioni di pulizia speciale e sono raccomandate solo per usi occasionali.

La bocchetta per fessure\*, la bocchetta per tutti gli usi e la spazzola a pennello sono riposte sul tubo telescopico in una pratico porta-accessori \*. Tutti questi accessori possono essere inseriti nell'impugnatura o all'estremità del tubo telescopico.

In alcuni modelli la spazzola a pennello è convenientemente integrata all'impugnatura del tubo flessibile.

**Spazzola a pennello\*\*** – Per librerie, cornici, tastiere e altre superfici delicate. [X1]

**Bocchetta per fessure\*** – Per angoli e punti difficili da raggiungere. [X2]

**Bocchetta tutti gli usi\*** – Per imbottiti, divani e tessuti. [X3]

**Spazzola Parquet\*** – Per parquet e pavimenti delicati. [AA]

**Mini turbospazzola per rimuovere i peli di animali domestici\*** - utilizzare la mini turbospazzola per la pulizia profonda di superfici tessili e imbottiti e per altre aree difficili. Particolarmente adatta per rimuovere i peli degli animali domestici. [Y]

**Mini turbospazzola per rimuovere gli allergeni\*** – utilizzare la mini turbospazzola per la pulizia profonda di superfici tessili e imbottiti e per altre aree difficili. Particolarmente adatta

per rimuovere gli allergeni. [Z]

**IMPORTANTE:** Non utilizzare le mini turbo spazzole su tappeti a frange, pellicce o moquette con pelo di oltre 15 mm. Non tenere ferma la spazzola mentre è in rotazione.

## MANUTENZIONE DELL'APPARECCHIO

### Svuotamento contenitore raccogli polvere

Quando la polvere raggiunge l'indicatore di livello massimo, svuotare il contenitore raccogli polvere.

**IMPORTANTE:** Per ottenere prestazioni ottimali, non consentire che la polvere si accumuli oltre il livello massimo.

1. Spegner l'apparecchio tramite l'interruttore e staccare la spina.
2. Premere il pulsante di sblocco del coperchio del contenitore raccogli polvere e rimuovere il gruppo contenitore raccogli polvere dall'apparecchio. [10]
3. Con una mano tenere il contenitore raccogli polvere e premere la levetta di sblocco dello sportello. [13]
4. Chiudere lo sportello contenitore raccogli polvere e riposizionarlo sul corpo principale dell'apparecchio. [10]

### Pulizia dei filtri lavabili

L'apparecchio è dotato di filtro pre-motore e di filtro in uscita. Per mantenere prestazioni ottimali, rimuovere periodicamente i filtri e picchiettarli contro il lato del contenitore dei rifiuti per eliminarne la polvere. I filtri devono essere lavati ogni 5 svuotamenti del contenitore raccogli polvere o quando la polvere nel filtro risulti eccessiva.

**IMPORTANTE:** Tutti gli apparecchi senza sacchetto richiedono una regolare pulizia del filtro. La mancata pulizia dei filtri può causare il blocco, il surriscaldamento e il danneggiamento dell'apparecchio. Tutto ciò può invalidare la garanzia.

**IMPORTANTE:** Controllare i filtri sistematicamente e sottoporli a regolare manutenzione.

**IMPORTANTE:** prima di utilizzare i filtri, accertarsi sempre che siano asciutti.

### Per accedere al filtro:

1. Premere il pulsante di sblocco del coperchio del contenitore raccogli polvere e rimuovere il gruppo contenitore raccogli polvere dall'apparecchio. [10]
2. Con una mano tenere il contenitore raccogli polvere e con l'altra premere il pulsante di sblocco del coperchio per aprirlo. [11]
3. Rimuovere il filtro pre-motore collocato nel coperchio del contenitore. [14]
4. Picchiettare e lavare il filtro pre-motore. Non utilizzare acqua bollente o detersivi. Eliminare l'acqua in eccesso dal filtro e lasciarlo asciugare completamente prima di riutilizzarlo. [17,18]
5. Quando completamente asciutto, riassemble il filtro pre-motore nel coperchio del contenitore raccogli polvere e rimontarlo nell'apparecchio.

**IMPORTANTE:** Non utilizzare il prodotto senza aver prima montato l'unità filtro.

### Per accedere al filtro in uscita:

1. Sbloccare il coperchio del filtro in uscita premendo i due pulsanti e poi tirando verso l'esterno dell'apparecchio. [15]
2. Estrarre l'unità filtro dalla sua sede trascinandola con il suo anello per l'estrazione. [16]

3. Picchiettare e lavare l'unità filtro. Non utilizzare acqua bollente o detersivi. Eliminare l'acqua in eccesso dal filtro e lasciarlo asciugare completamente prima di riutilizzarlo. **[17,18]**
4. Una volta completamente asciugata, riassemblare l'unità filtro e rimontarla sull'apparecchio reinserendola nella sua posizione spingendo fino in fondo. **[16]**
5. Bloccare il coperchio del filtro in uscita premendo il lato con le clips, si udirà quindi un click quando il coperchio del filtro in uscita si inserirà in posizione. **[15]**

**IMPORTANTE:** Non utilizzare il prodotto senza aver prima montato l'unità filtro.

#### **Pulizia del contenitore raccogli polvere/dell'unità Airvolution**

Questo apparecchio utilizza un sistema di separazione esclusivo di Hoover. Se necessario, l'unità di separazione può essere smontata dal contenitore raccogli polvere e pulita.

1. Premere il pulsante di sblocco del coperchio del contenitore raccogli polvere e rimuovere il gruppo contenitore raccogli polvere dall'apparecchio. **[10]**
2. Con una mano tenere il contenitore raccogli polvere e con l'altra premere il pulsante di sblocco del coperchio per aprirlo. **[11]**
3. Rimuovere il condotto d'uscita (rosso) dall'apparato ciclonico. **[12]**
4. Rimuovere l'apparato ciclonico dal contenitore raccogli polvere. **[13]**
5. Se necessario, utilizzare un panno per rimuovere la polvere in eccesso dalla superficie del condotto d'uscita rosso e dall'apparato ciclonico.
6. Collocare il contenitore raccogli polvere sotto il rubinetto. **[17]** Sciacquare con acqua tiepida. Lavare le superfici interne del contenitore raccogli polvere solo con acqua. NON utilizzare detersivi o sapone per lavare le parti interne del contenitore raccogli polvere.
7. Rimontare il componente interno nel contenitore raccogli polvere, assicurandosi che tutti i componenti siano asciutti.
8. Chiudere il coperchio del contenitore raccogli polvere e rimontare il gruppo contenitore raccogli polvere nell'apparecchio.

#### **Rimozione di un'ostruzione**

1. Controllare se il contenitore raccogli polvere è pieno. Se così fosse, vedere la sezione "Svuotamento del contenitore raccogli polvere".
2. Se il contenitore raccogli polvere è vuoto, ma l'aspirazione è ancora scarsa:
  - A. Potrebbe essere necessario pulire i filtri. In questo caso, vedere la sezione "Pulizia dei filtri lavabili".
  - B. Controllare che non vi siano altre ostruzioni nel sistema. - Utilizzare un'asticella o un bastoncino per rimuovere eventuali ostruzioni dal tubo telescopico o dal tubo flessibile.
  - C. Verificare che il filtro pre-motore sia installato.
  - D. Verificare se l'unità di separazione debba essere pulita. Vedere "Pulizia dell'unità di separazione".

### CHECKLIST UTENTE

In caso di problemi, completare questa semplice checklist utente prima di chiamare il centro assistenza Hoover.

- La presa elettrica a cui è collegato l'apparecchio è funzionante? Controllare collegando un altro elettrodomestico.
- Il contenitore raccogli polvere è pieno? Vedere "Manutenzione dell'apparecchio".
- Il filtro è ostruito? Vedere "Manutenzione dell'apparecchio".
- Il tubo flessibile o la bocchetta sono ostruiti? Vedere "Rimozione di un'ostruzione dal sistema".
- L'aspirapolvere si è surriscaldato? In questo caso, il reset automatico richiede circa 30 minuti.

### INFORMAZIONI IMPORTANTI

#### **Parti di ricambio e di consumo Hoover**

Utilizzare sempre parti di ricambio originali Hoover, che è possibile acquistare dal distributore locale Hoover o direttamente sul sito internet Hoover. Quando si ordinano delle parti di ricambio, ricordarsi sempre di fornire il numero di modello dell'apparecchio utilizzato.

#### **Qualità**

BSI ISO 9001: La qualità degli stabilimenti Hoover è stata sottoposta a valutazione indipendente. I nostri prodotti vengono realizzati mediante un sistema di qualità che soddisfa i requisiti ISO 9001.

#### **Assistenza e garanzia Hoover**

Il prodotto è garantito, oltre che ai sensi di legge, alle condizioni e nei termini riportati sul certificato di garanzia convenzionale inserito nel prodotto. Il certificato dovrà essere conservato e mostrato al nostro Centro di Assistenza Tecnica Autorizzato, in caso di necessità, insieme allo scontrino comprovante l'acquisto dell'elettrodomestico. Puoi consultare le condizioni di garanzia anche sul nostro sito internet.

Per ottenere assistenza compila l'apposito form on-line oppure contattaci al numero che trovi indicato nella pagina di assistenza del nostro sito internet.

Queste condizioni potrebbero venire modificate senza obbligo di preavviso.

## INSTRUCTIES VOOR VEILIG GEBRUIK

Dit toestel mag enkel gebruikt worden voor reiniging in het huis, zoals beschreven in deze gebruikersgids. Zorg ervoor dat u de instructies volledig begrijpt voordat u het apparaat in gebruik neemt.

Laat het toestel nooit aangesloten achter. Schakel het toestel altijd uit en verwijder de stekker uit het stopcontact na gebruik, of voor het reinigen van het toestel of bij elke onderhoudstaak.

Dit toestel kan gebruikt worden door kinderen vanaf 8 jaar en ouder en personen met verminderde lichamelijke, zintuiglijke of mentale capaciteiten of een gebrek aan ervaring of kennis indien ze toezicht of onderricht gehad hebben betreffende het veilig gebruik van het toestel en het begrip van de gevaren in kwestie. Kinderen mogen niet met het toestel spelen. Reinigings- en gebruiksonderhoud mag niet uitgevoerd worden door kinderen zonder toezicht.

Indien het stroomsnoer beschadigd is, stop dan onmiddellijk met het toestel te gebruiken. Om veiligheidsgevaar te vermijden, mag enkel een erkende HOOVER dienstingenieur de stroomkabel vervangen.

Houd handen, voeten, losse kleding en haar uit de buurt van roterende borstels.

Gebruik enkel verlengstukken, verbruiksartikelen of reserveonderdelen aanbevolen of geleverd door HOOVER.

**Statische elektriciteit:** Sommige tapijten kunnen statische elektriciteit veroorzaken. Ontladingen van statische elektriciteit zijn onschadelijk voor uw gezondheid.

Gebruik je toestel nooit buiten of op natte oppervlaktes of om vocht op te nemen.

Raap geen harde of scherpe objecten op zoals lucifers, hete assen, sigaretten of andere gelijkaardige items.

Spuit niet met ontvlambare vloeistoffen, reinigingsvloeistoffen, aerosols of hun dampen en zuig ze ook niet op.

Loop niet over het stroomsnoer wanneer je het toestel gebruikt of verwijder de stekker niet door aan het stroomsnoer te trekken.

Blijf dit toestel niet gebruiken wanneer het defect blijkt.

**HOOVER dienstverlening:** Om de blijvende veilige en efficiënte werking van dit toestel te verzekeren, bevelen we aan dat alle herstellingen uitgevoerd worden door een erkende HOOVER dienstingenieur.

Niet op het snoer staan of het snoer rond armen of benen winden terwijl je het toestel gebruikt.


Gebruik het toestel niet om dieren of mensen te reinigen.

Plaats het toestel niet boven je tijdens het reinigen van de trap.

### Het milieu

Het symbool op dit toestel duidt aan dat dit toestel niet mag behandeld worden als huishoudelijk afval. In de plaats daarvan moet het overhandigd worden aan het geschikte verzamelpunt voor de recyclage van elektrische en elektronische uitrusting. U moet het toestel weggooien in overeenstemming met de lokale voorschriften voor afvalverwerking. Voor meer gedetailleerde informatie over behandeling, herstel en recyclage van dit toestel, gelieve je lokale gemeentebestuur te contacteren, je dienst voor huishoud- en afvalverwerking of de winkel waar je het toestel kocht.



 Dit apparaat voldoet aan de Europese Richtlijnen 2014/35/EU, 2014/30/EU en 2011/65/EU.

CANDY HOOVER GROUP S.r.l. Via Privata Eden Fumagalli, 20861 Brugherio (MB) Italy

## LEER JE REINIGER KENNEN

- |                                    |  |
|------------------------------------|--|
| A. Stofbak samenstelling           | Q. Telescopische buis**                      |
| B. Hoofdlichaam Stofzuiger         | Qa. Telescopische buisvergrendeling*         |
| C. Aan/uit-knop                    | Qb. Regelaar voor telescopische buis**       |
| D. Parkeerstand                    | R. Vergrendeling tapijt- en vloermondstuk*   |
| E. Stofbak ontgrendelknop          | S. Tapijt en Vloer mondstuk (GP)**           |
| F. Snoerprolpedaal                 | S1. Tapijt Mondstuk. (CA)**                  |
| G. Stofzak                         | S2. Mondstuk voor harde vloer (HF)**         |
| H. Cycloon lichaam                 | T. Schuifknop tapijt- en vloermondstuk*      |
| I. Vortex Finder ( Rood-metallic ) | U. Keuzeknop vloertype*                      |
| J. Stofbak klep                    | V. Pre-motor filter                          |
| K. Stofbak klep ontgrendeltrekker  | W. Uitlaat Filter                            |
| L. Stofbak deksel ontgrendelknop   | X1. Stofborstel**                            |
| M. Slang                           | X2. Kierenmondstuk*                          |
| N. Handvat**                       | X3. Meubelzuigmond*                          |
| O. Zuigkrachtregeling*             | Y. Miniturbozuigmond voor dierenharen*       |
| P. Accessoireshouder*              | Z. Miniturbozuigmond voor allergene stoffen* |
|                                    | AA. Parketzuigmond*                          |

## JE REINIGER MONTEREN

Verwijder alle onderdelen uit de verpakking.

1. Steek de slang in de stofzuiger en klik deze erin vast. Verwijderen: druk de knop op het uiteinde van de slang in en trek de slang eruit. [1]
2. Verbind het handvat van de slang aan het einde van de verlengbuis bovenaan [2a], of aan accessoires waar nodig. [2b]
3. Sluit het onderste uiteinde van de verlengbuis aan op het tapijt en vloerzuig mondstuk\*\* [3a] of op de accessoires indien nodig. [3b]
4. De schoonmaakaccessoires kunnen op de onderkant van de verlengbuis worden opgeborgen na gebruik. Gebruik daarvoor de meegeleverde accessoireshouder\*.

## UW STOFZUIGER GEBRUIKEN

1. Trek het netsnoer uit de stofzuiger en steek de stekker in het stopcontact. Trek het snoer niet verder uit dan de rode markering. [4]
2. Stel de verlengbuis\*\* af op gewenste hoogte door de regelaar van de telescopische buis\*\* omhoog of omlaag te bewegen, tot de meest comfortabele positie om te stofzuigen is bereikt. [5]
3. Druk de vloertype keuzeknop in en selecteer de gewenste reinigingswijze voor het voertype als, indien noodzakelijk, het onderste deel van de telescopische buis is aangesloten op het tapijt- en vloermondstuk\*\* of de accessoires:  
**Harde vloer** – De borstels wijzen naar beneden en beschermen zo de vloer.  
**Tapijt** – Voor een grondigere reiniging worden de borstels omhoog gehaald.

**Tapijt- & vloermondstuk\*\*:** [6]

- **Reiniging van harde vloer:** Druk de knop op het mondstuk naar de harde-vloer-stand en zet de schuifknop op het mondstuk op ALLE VLOERTYPEN. In deze stand worden de

\*Alleen bepaalde modellen \*\* Kan verschillen per model

borstels, wielen en wisser omlaag gebracht om harde vloeren te beschermen. [6a]

- **Standaardreiniging van tapijt en vloerkleden:** Druk de knop op het mondstuk naar de tapijtstand en zet de schuifknop op het mondstuk op ALLE VLOERTYPEN. In deze stand worden de borstels en de wisser omhoog gehaald en zijn de wielen omlaag gebracht zodat eenvoudig over elk oppervlak kan worden bewogen. [6b]

- **Grondige reiniging van tapijt:** Druk de knop op het mondstuk naar de tapijtstand en zet de schuifknop op het mondstuk op GRONDIGE REINIGING TAPIJT. In deze stand zijn de borstels, wielen en wisser omhoog gehaald voor een grondigere reiniging van het tapijt. [6c]  
**WAARSCHUWING:** Om eventuele krassen op houten vloeren te vermijden, wordt geadviseerd om de knop niet op de harde-vloer-stand te plaatsen en de schuifknop niet op de grondige reiniging tapijt te zetten.

4. Zet de stofzuiger aan door het aan/uit-pedaal op de stofzuigenheid in te drukken. [7]
5. Zet de zuigkrachtregelaar\* op het gewenste niveau. [8]
6. Schakel aan het einde van gebruik uit door te drukken op de aan/uit pedaal. Koppel het snoer los en druk op de spoelpedaal [F] van het snoer om het snoer terug in de reiniger op te winden.

### Parkeer- en opslagsectie

7. De telezoombuis kan tijdens het gebruik tijdelijk worden geparkeerd, of kan in de opslagpositie worden gezet wanneer de buis niet wordt gebruikt. [9]

## ACCESSOIRES

Voor optimaal functioneren en efficiëntie is het aan te bevelen dat de juiste mondstukken voor de voornaamste schoonmaak taken worden gebruikt. Deze mondstukken worden in de diagrammen afgebeeld met de letters **GP**, **HF** of **CA**.

Een **GP** type mondstuk kan gebruikt worden voor schoonmaak van zowel tapijt als harde vloer.

Een **HF** type mondstuk is enkel geschikt voor gebruik op harde vloer.

Een **CA** type mondstuk is enkel geschikt voor gebruik op tapijt.

De andere mondstukken zijn accessoires voor gespecialiseerde schoonmaaktaken en worden alleen aanbevolen voor occasioneel gebruik.

Het kierenmondstuk\*, meubelmondstuk\* en de stofborstel\*\* worden bewaard op de telescopische buis met behulp van een handige houder voor accessoires. Ze kunnen op de handgreep of op het uiteinde van de telescopische buis worden geplaatst. Op sommige modellen is de stofborstel op een handige manier geïntegreerd in de handgreep van de buis.

**Stofborstel\*\***– Voor boekenrekken, kozijnen, toetsenborden en andere delicate plaatsen. [X1]

**Kierenmondstuk\*** – Voor hoeken en moeilijk bereikbare plaatsen. [X2]

**Meubelmondstuk\*** – Voor zachte meubels en stoffen. [X3]

**Parketzuigmond\*** – Voor parketvloeren en andere kwetsbare vloeren. [AA]

**Miniturbozuigmond voor dierenharen\*** - Gebruik het miniturbomondstuk voor trappen of voor het grondig reinigen van textielproducten en andere moeilijk schoon te maken plekken. Uitermate geschikt voor het verwijderen van haren van huisdieren. [Y]

**Miniturbozuigmond voor allergene stoffen\*** – Gebruik het miniturbomondstuk voor trappen of voor het grondig reinigen van textielproducten en andere moeilijk schoon te maken plekken. Vooral geschikt voor het verwijderen van allergene stoffen. [Z]

**BELANGRIJK:** Gebruik het turbomondstuk en het miniturbomondstuk niet op tapijten met lange franjes, op dierenhuiden of op tapijten dikker dan 15 mm. Hou de zuigmond niet stil terwijl de borstel draait.

## ONDERHOUD STOFZUIGER

### De prullenbak legen

Leeg de stofcontainer zodra het stof de markering 'max. niveau' in het reservoir bereikt.

**BELANGRIJK:** Zorg ervoor dat het stof niet boven het aangegeven maximale niveau uitkomt als u wilt dat uw stofzuiger optimaal werkt.

1. Zet de stofzuiger uit met de hoofdknop en haal de stekker uit het stopcontact.
2. Druk op de stofbak ontgrendelknop en verwijder de stofbak samenstelling uit de stofzuiger. [10]
3. Houd de stofbak in één hand en druk op de stofbak klep ontgrendel trekker. [13]
4. Doe de stofbak klep dicht en maak deze opnieuw vast aan het hoofdlichaam van de stofzuiger. [10]

### De wasbare filters reinigen

De stofzuiger is uitgerust met een pre-motorfilter en uitlaatfilter. Voor de beste prestaties van de stofzuiger verwijdert u de filters regelmatig en klopt ze schoon tegen de zijkant van de afvalbak. De filters moeten worden uitgespoeld nadat het reservoir 5 maal is geleegd, maar ook wanneer het filter te veel stof bevat.

**BELANGRIJK:** Bij alle zakloze stofzuigers moeten de filters regelmatig worden gereinigd. Het niet reinigen van de filters kan leiden tot verstopping, oververhitting en storing van het product. Hierdoor kan uw garantie komen te vervallen.

**BELANGRIJK:** Controleer en reinig de filters regelmatig.

**BELANGRIJK:** Zorg er voor gebruik altijd voor dat het filterelement helemaal droog is.

### Voor toegang tot de filters:

1. Druk op de stofbak ontgrendelknop en verwijder de stofbak samenstelling uit de stofzuiger. [10]
2. Houd de stofbak vast met één hand en druk met de andere hand op de stofbak klep ontgrendelknop om de klep van de bak te openen. [11]
3. Verwijder de pre-motor filter die zich in de klep van de bak bevindt. [14]
4. Voorzichtig op de pre-motor filter tikken en deze wassen. Gebruik geen heet water of schoonmaakmiddelen. Verwijder het overtollige water uit de filter en laat hem helemaal opdrogen alvorens hem opnieuw te gebruiken. [17,18]
5. Plaats de pre-motor filter weer terug in de klep van de stofbak als deze helemaal droog is en zet het weer vast op de stofzuiger.

**BELANGRIJK:** Gebruik het product niet zonder filterpakket.

### Voor toegang tot de uitlaatfilter:

1. Ontgrendel het uitlaatfilter door de twee knoppen in te drukken en deze buitenwaarts uit de hoofdstofzuiger te trekken. [15]
2. Verwijder het filter pak uit de holte door aan de ring van de uitlaatfilter te trekken. [16]
3. Tik en was de filtereenheid voorzichtig. Gebruik geen heet water of schoonmaakmiddelen. Verwijder overtollig water van het filter en laat het drogen alvorens te gebruiken. [17,18]
4. Zet het filter pak weer in elkaar zodra het geheel droog is en pas het in de stofzuiger door het weer op zijn plek te zetten en helemaal in te drukken. [16]
5. Vergrendel het uitlaatfilterdeksel door de kant met de klemmen aan te drukken, u hoort

een klik als het uitlaatfilter op zijn plaats valt. [15]

**BELANGRIJK:** Gebruik het product niet zonder filterpakket.

### Het schoonmaken van de stofcontainer/ scheidingseenheid

Deze stofzuiger is uitgerust met een separatie-eenheid dat uniek is bij Hoover. Indien nodig kan de scheidingseenheid losgemaakt worden van het stofreservoir en kan gereinigd worden.

1. Druk op de stofbak ontgrendelknop en verwijder de stofbak samenstelling uit de stofzuiger. [10]
2. Houd de stofbak met één hand vast en druk met de andere hand op de stofbak klep ontgrendelknop om de klep van de stofbak te openen. [11]
3. Verwijder de Vortex Finder (rood) van het cycloon lichaam. [12]
4. Verwijder het cycloon lichaam van de stofbak. [13]
5. Gebruik waar nodig een doek om een teveel aan stof van de rode vortex finder en het oppervlak van het cycloon lichaam te verwijderen.
6. Plaats de stofbak onder de kraan. [17] Spoel af met lauwwarm water. Reinig de interne oppervlakken van het reservoir alleen met water. Gebruik GEEN schoonmaakmiddelen om de binnenkant van het reservoir te reinigen.
7. Plaats de interne component opnieuw vast in de stofbak, zorg ervoor dat alle onderdelen droog zijn.
8. Doe de stofbak klep dicht en plaats de stofbak samenstelling opnieuw in de stofzuiger.

### Een verstopping verwijderen

1. Controleer of het stofreservoir vol is. Zo ja, zie 'Het stofreservoir legen'.
2. Als de stofzak leeg is, maar de afzuiging is nog steeds laag:
  - A. Moeten de filters worden gereinigd? Zo ja, zie 'Wasbare filters reinigen'.
  - B. Controleer of niets het systeem blokkeert. - Gebruik een staaf of stok om eventuele verstoppingen uit de verlengbuis of zuigslang te verwijderen.
  - C. Controleer of de pre-motorfilter is geplaatst.
  - D. Controleer of de scheidingseenheid gereinigd moet worden. Zie 'Reinigen van de scheidingseenheid'.

## CHECKLIST VOOR DE GEBRUIKER

Mocht u problemen ondervinden met dit product, loop dan deze eenvoudige checklist na voordat u uw Hoover dealer belt.

- Krijgt de stofzuiger wel stroom? Controleer dit met een ander elektrisch toestel.
- Is de stofzak overvol? Zie 'Onderhoud stofzuiger'.
- Is de filter verstopt? Zie 'Onderhoud stofzuiger'.
- Is de slang of de zuigmond geblokkeerd? Zie 'Verstoppingen uit het systeem verwijderen'.
- Is de stofzuiger oververhit? Zo ja, dan duurt het ongeveer dertig minuten voordat het toestel weer gebruiksklaar is.

## BELANGRIJKE INFORMATIE

### Originele reserveonderdelen en toebehoren van Hoover

Gebruik uitsluitend originele reserveonderdelen van Hoover. Deze zijn verkrijgbaar bij uw Hoover dealer. Als u onderdelen bestelt, vermeld dan altijd het modelnummer.

### Hoover Service

Mocht u gebruik willen maken van de service, neem dan contact op met uw Hoover dealer.

### Kwaliteit

BSI ISO 9001: De fabrieken van Hoover zijn op onafhankelijke wijze getest op kwaliteit. Onze producten worden vervaardigd aan de hand van een kwaliteitssysteem dat voldoet aan de vereisten van ISO 9001.

### Uw garantie

De garantievoorwaarden voor dit toestel worden bepaald door onze vertegenwoordiger in het land waar het toestel wordt verkocht. Details omtrent deze voorwaarden zijn verkrijgbaar bij de dealer waar u het toestel hebt gekocht. Wanneer u aanspraak wilt maken op deze garantie, dan moet u het verkoop- of ontvangstbewijs voorleggen. Wijzigingen zijn zonder voorafgaande kennisgeving mogelijk.

## INSTRUÇÕES PARA UMA UTILIZAÇÃO SEGURA

Este aparelho só deve ser utilizado para limpeza doméstica, conforme descrito neste guia do utilizador. Certifique-se de que este manual é totalmente compreendido antes de utilizar o aparelho.

Não deixe o aparelho ligado. Desligue sempre o aparelho e retire a ficha da tomada após a utilização ou antes de o limpar ou executar qualquer tarefa de manutenção.

Este aparelho pode ser utilizado por crianças com idade igual ou superior a 8 anos e por pessoas com capacidades mentais, sensoriais e físicas reduzidas ou sem experiência e conhecimento caso lhes sejam fornecidas instruções e supervisão relativas à utilização do aparelho de modo seguro e caso compreendam os perigos envolvidos. As crianças não devem brincar com o aparelho. A limpeza e a manutenção não devem ser efectuada por crianças sem supervisão.

Se o cabo de alimentação estiver danificado deixe de utilizar o aparelho imediatamente. Para evitar um perigo para a segurança, deve ser um técnico de assistência Hoover a substituir o cabo de alimentação.

Mantenha as mãos, os pés, as roupas largas e o cabelo longe das escovas rotativas.

Utilize exclusivamente acessórios, peças sobressalentes ou consumíveis recomendados ou fornecidos pela HOOVER.

**Electricidade estática:** Algumas alcatifas podem provocar uma pequena acumulação de electricidade estática. A descarga de electricidade estática não constitui qualquer perigo para a saúde.

Não utilize o aparelho no exterior, em superfícies húmidas ou para aspirar líquidos.



Não aspire objectos duros ou afiados, fósforos, cinzas quentes, pontas de cigarro ou outros itens semelhantes.

Não pulverize nem aspire líquidos inflamáveis, líquidos de limpeza, aerossóis ou respectivos vapores.

Não passe por cima do cabo de alimentação ao utilizar o aspirador nem retire a ficha puxando pelo cabo de alimentação.

Não continue a utilizar o aparelho se este parecer defeituoso.

**Assistência HOOVER:** Para assegurar o funcionamento seguro e eficiente deste aparelho, recomendamos que todas as intervenções de assistência ou reparação sejam efectuadas apenas por um técnico de assistência autorizado da Hoover.

Não permaneça em cima do cabo de alimentação nem o enrole à volta das pernas ou braços ao utilizar o aparelho.

Não utilize o aparelho para limpar pessoas ou animais.

Não posicione o aparelho num nível superior aquele em que se encontra ao limpar escadas.

#### Ambiente

O símbolo no aparelho indica que este não pode ser tratado como resíduo doméstico. Pelo contrário, deve ser encaminhado para o ponto de recolha aplicável para reciclagem de equipamento eléctrico e electrónico. A eliminação deve ser realizada em conformidade com as leis ambientais locais relativas à eliminação de resíduos. Para obter informações mais detalhadas sobre o tratamento, recuperação e reciclagem deste produto, contacte as autoridades locais, o serviço de eliminação de resíduos domésticos ou a loja onde adquiriu o produto.



**CE** Este aparelho está em conformidade com as Diretivas Europeias 2014/35/EU, 2014/30/EU e 2011/65/EU.

CANDY HOOVER GROUP S.r.l. Via Privata Eden Fumagalli, 20861 Brugherio (MB) Italy

## APRESENTAÇÃO DO ASPIRADOR

- |   |   |
|---|---|
| A. Montagem do depósito de pó                     | Qa. Trinco do tubo telescópico*                         |
| B. Corpo principal do aspirador                   | Qb. Adaptador do tubo telescópico**                     |
| C. Pedal Ligar/Desligar                           | R. Trinco do bocal para pisos e alcatifas*              |
| D. Ranhura de Arrumação                           | S. Escova para pavimentos e alcatifas (GP)**            |
| E. Botão de libertação do depósito de pó          | S1. Escova para alcatifas (CA)**                        |
| F. Pedal de recolha do cabo                       | S2. Escova para pavimentos duros (HF)**                 |
| G. Contentor de pó                                | T. Controlo deslizante do bocal para pisos e alcatifas* |
| H. Corpo de ciclone                               | U. Selector de tipo de pavimentos*                      |
| I. Localizador em espiral ( Rede metálica )       | V. Filtro do pré-motor                                  |
| J. Tampa do depósito de pó                        | W. Filtro do escape                                     |
| K. Gatilho de desengate da aba do depósito de pó  | X1. Escova para pó**                                    |
| L. Botão de libertação da tampa do depósito de pó | X2. Acessório para fendas*                              |
| M. Tubo flexível                                  | X3. Escova para móveis*                                 |
| N. Pega do tubo flexível**                        | Y. Escova para remover pêlos de animais*                |
| O. Regulador de Sucção*                           | Z. Mini escova turbo para remoção de alérgenos*         |
| P. Suporte de acessórios*                         | AA. Escova para parquet*                                |
| Q. Tubo Telescópico**                             |   |

## MONTAGEM DO ASPIRADOR

Retire todos os componentes da embalagem.

1. Ligue o tubo flexível ao corpo principal do aspirador, certificando-se de que encaixa e fica bem fixo. Para soltar: basta premir o botão na extremidade da mangueira e puxar. [1]
2. Ligue a pega do tubo flexível à extremidade no tubo flexível de extensão superior [2a] ou aos acessórios, caso seja necessário. [2b]
3. Ligue a extremidade inferior do tubo de extensão à escova\*\* [3a] para pisos e alcatifa ou os acessórios, se for necessário. [3b]
4. As ferramentas do acessório de limpeza\* podem ser armazenadas após a utilização na parte inferior do tubo de extensão utilizando o suporte do acessório fornecido\*.

## UTILIZAR O SEU ASPIRADOR

1. Extraia o cabo de alimentação e ligue-o na fonte de alimentação. Não puxe o cabo para além do marcador vermelho. [4]
2. Ajuste o tubo de extensão\*\* à altura desejada movendo o dispositivo de ajuste do tubo de extensão\*\* para cima e para baixo para obter a posição de limpeza mais confortável. [5]
3. Após ligar a extremidade inferior do tubo telescópico ao bocal para pisos e alcatifas\*\* pressione o pedal do seletor do tipo de piso no bocal para seleccionar o modo de limpeza ideal para o tipo de piso:

**Pavimentos duros** – Baixar as escovas para proteger o soalho.

**Alcatifas** – Escovas levantadas para uma limpeza intensa.

**Escova para pisos e alactifas\*\*:** [6]

- **Limpeza de pisos duros:** Pressione o pedal no bocal no modo de Piso duro e ajuste o controlo deslizante no bocal em TODOS OS PISOS. Nesta posição, as escovas, rodas e

a lâmina de limpeza são rebaixadas para proteger os pisos duros. [6a]

- **Limpeza padrão de tapetes e alcatifas:** Pressione o pedal no bocal no modo de Alcatifa e ajuste o controlo deslizante no bocal como TODOS OS PISOS. Nesta posição, as escovas e a lâmina de limpeza são levantadas enquanto as rodas são rebaixadas, de modo a permitir um movimento livre em tais superfícies. [6b]

- **Limpeza intensa de carpetes:** Pressione o pedal no bocal no modo de Alcatifa e ajuste o controlo deslizante no bocal como LIMPEZA INTENSA DE CARPETES. Nesta posição, as escovas, rodas e a lâmina de limpeza são levantadas para uma limpeza intensa da sua carpete. [6c]

**ATENÇÃO:** É recomendado evitar possíveis riscos nos pisos de madeira, quando o pedal não está definido no modo de piso duro e o controlo deslizante na limpeza intensa de carpetes.

4. Ligue o aspirador premindo o pedal ligar/desligar no corpo principal do aspirador. [7]
5. Ajuste a sucção movendo o regulador de sucção até ao nível pretendido. [8]
6. Desligue no final da utilização pressionando o pedal ligar/desligar. Desligue e prima o pedal de recolha do cabo [F] para enrolar o cabo de alimentação no aspirador.

#### Secção de Descanso e Arrumação

7. O tubo pode ser fixado na parte de trás do aspirador para armazenamento ou armazenamento temporário durante a utilização. [9]

## ACESSÓRIOS

Para obter o melhor desempenho e eficiência é recomendada a utilização das escovas correctas para as principais operações de limpeza. As escovas estão indicadas nos diagramas pelas letras **GP**, **HF** ou **CA**.

Uma escova do tipo **GP** pode ser utilizada para limpar alcatifas e pisos duros.

Uma escova do tipo **HF** é adequada para utilização apenas em pisos duros.

Uma escova do tipo **CA** é adequada para utilização apenas em alcatifas

As restantes escovas são acessórios para tarefas de limpeza especializadas e são recomendadas apenas para utilização ocasional.

A ferramenta com fissuras\*, o bocal para mobílias\* e a escova para o pó\*\* são armazenadas no tubo telescópico através de um suporte prático para acessórios. Podem ser instalados na pega ou na extremidade do tubo telescópico.

Em determinados modelos, a escova para o pó é integrada de forma conveniente na pega do tubo flexível.

**Escova para pó\*\*** – Para estantes de livros, molduras, teclados e outras áreas delicadas. [X1]

**Acessório para fendas\*** – Para cantos e áreas difíceis de alcançar. [X2]

**Escova para móveis\*** – para mobiliário macio e tecidos. [X3]

**Escova para parquet\*** – Para pavimentos de parquet e outros pavimentos delicados. [AA]

**Escova para remover pêlos de animais\*** - Utilize a mini escova turbo em escadas ou para uma limpeza em profundidade de tecidos e outras áreas mais difíceis. Especialmente adequada para a remoção de pêlos de animais. [Y]

**Mini escova turbo para remoção de alergéneos\*** – Utilize a mini escova turbo em escadas ou para uma limpeza em profundidade de tecidos e outras áreas mais difíceis. Especialmente adequada para a remoção de alergéneos. [Z]

**IMPORTANTE:** Não utilize mini escovas turbo em tapetes com franjas, animais e alcatifas

\*Apenas em alguns modelos \*\* Pode variar de acordo com o modelo

com um pêlo com mais de 15 mm de altura. Não mantenha o bocal parado enquanto a escova está em rotação.

## MANUTENÇÃO DO ASPIRADOR

### Esvaziar o depósito de pó

Quando o pó atinge o indicador de nível máximo no depósito de pó, este deve ser esvaziado.

**IMPORTANTE:** Para manter o melhor desempenho, não permita que o pó ultrapasse o nível máximo.

1. Desligue o aspirador com o interruptor principal e retire o cabo de alimentação.
2. Prima o botão de libertação da tampa do depósito do pó e remova o conjunto do depósito do pó do aspirador. [10]
3. Agarre o depósito do pó com uma mão e prima o gatilho de desengate da aba do depósito do pó. [13]
4. Feche a aba do depósito de pó e recolha-a no corpo principal do aspirador. [10]

### Limpar os filtros laváveis

O aspirador contém, filtro de pré-motor e filtro de exaustão. Para manter o desempenho ótimo da limpeza, remova regularmente os filtros e bata-os contra a parte lateral do recipiente de resíduos para libertar a sujidade. Os filtros devem ser lavados em cada 5 despejos do depósito ou quando apresentarem um nível de pó excessivo.

**IMPORTANTE:** Todos os aspiradores sem saco necessitam de limpeza regular do filtro. Se não limpar os seus filtros isto poderá resultar num bloqueio de ar, sobreaquecimento ou falha do produto. Isto poderá tornar a sua garantia inválida.

**IMPORTANTE:** Efectue regularmente a verificação e manutenção dos filtros.

**IMPORTANTE:** Verifique sempre se a unidade do filtro está completamente seca.

### Para aceder ao filtro:

1. Prima o botão de libertação da tampa do depósito do pó e remova o conjunto do depósito do pó do aspirador. [10]
2. Agarre o depósito do pó com uma mão e com a outra mão prima o botão de libertação da tampa do depósito do pó para abrir a tampa do depósito. [11]
3. Retire o filtro do pré-motor do depósito localizado na tampa do depósito. [14]
4. Bata cuidadosamente e lave o filtro do pré-motor. Não utilize água quente nem detergentes. Remova o excesso de água do filtro e deixe secar completamente antes de usar de novo. [17,18]
5. Volte a montar o filtro do pré-motor na tampa do depósito do pó quando estiver totalmente seca e recolha-o no aspirador.

**IMPORTANTE:** Não utilize o aspirador sem a unidade do filtro colocada.

### Para aceder ao filtro de exaustão:

1. Desbloqueie a porta do filtro de exaustão ao premir dois botões e puxando para fora do corpo principal do aspirador. [15]
2. Retire o conjunto do filtro arrastando o anel do filtro de exaustão. [16]
3. Bata cuidadosamente e lave a unidade do filtro. Não utilize água quente nem detergentes. Retire o excesso de água do filtro e deixe secar completamente antes de

usar. [17,18]

4. Volte a montar o conjunto do filtro assim que estiver completamente seco e reinstale no aspirador introduzindo-o novamente no respetivo local. [16]
5. Bloquee a tampa do filtro de exaustão ao premir a extremidade que tem as molas. Ouve um clique assim que o filtro de exaustão encaixar. [15]

**IMPORTANTE:** Não utilize o aspirador sem a unidade do filtro colocada.

#### **Limpar o contentor de pó / a unidade de separação**

Este aspirador utiliza o sistema de separação, único da Hoover. Se necessário, a unidade de separação pode ser desmontada do depósito do pó para ser limpa.

1. Prima o botão de libertação da tampa do depósito do pó e remova o conjunto do depósito do pó do aspirador. [10]
2. Agarre o depósito do pó com uma mão e com a outra mão prima o botão de libertação da tampa do depósito do pó para abrir a tampa do depósito do pó. [11]
3. Retire o localizador em espiral (vermelho) do corpo de ciclone. [12]
4. Retire o corpo de ciclone do depósito de pó. [13]
5. Caso seja necessário, utilize um pano para remover o excesso de pó do localizador em espiral vermelho e da superfície do corpo de ciclone.
6. Coloque o depósito de pó sob a torneira. [17] Enxague com água tépida. Lave as superfícies internas do depósito de pó apenas com água. NÃO utilize detergentes para lavar as peças interiores depósito de pó.
7. Volte a montar o componente interno no depósito de pó garantindo que todos os componentes estão secos.
8. Feche a tampa do depósito de pó e volte a instalar o conjunto do depósito de pó no aspirador.

#### **Remover uma obstrução**

1. Verifique se o depósito de pó está cheio. Caso esteja, consulte a secção “Esvaziar o depósito de pó”.
2. Se o depósito de pó está vazio mas a aspiração continua fraca:
  - A. Os filtros necessitam de limpeza? Caso necessitem, consulte a secção “Limpar os filtros laváveis”.
  - B. Caso esteja, consulte a secção “Esvaziar o depósito de pó”. - Utilize uma vara ou um pau para remover qualquer obstrução do tubo de extensão ou do tubo flexível.
  - C. Verifique se o filtro anterior ao motor está colocado.
  - D. Verifique se a unidade de separação necessita de ser limpa. Consulte “Limpar a unidade de separação”.

## **LISTA DE VERIFICAÇÃO DO UTILIZADOR**

Se tiver algum problema com o aparelho, preencha esta simples lista de verificação do utilizador antes de chamar o serviço de assistência Hoover local.

- O aspirador tem alimentação de corrente? Verifique com outro aparelho eléctrico.
- O saco está cheio? Consulte “Manutenção do Aspirador”.
- O filtro está entupido? Consulte “Manutenção do Aspirador”.
- O tubo flexível ou o bocal estão entupidos? Consulte “Remover uma obstrução do sistema”.
- O aspirador apresenta sobreaquecimento? Em caso afirmativo, a reposição automática ocorrerá passados cerca de 30 minutos.

## **INFORMAÇÕES IMPORTANTES**

### **Peças sobressalentes e consumíveis Hoover**

Substitua sempre as peças por peças sobressalentes Hoover genuínas. Pode obtê-las junto do seu representante local ou directamente da Hoover. Quando encomendar peças, mencione sempre o número do seu modelo.

### **Assistência Hoover**

Se necessitar de assistência a qualquer altura, queira contactar o seu serviço de assistência Hoover local.

### **Qualidade**

BSI ISO 9001: A qualidade das instalações industriais da Hoover foi avaliada de forma independente. Os nossos produtos são fabricados de acordo com um sistema de qualidade que satisfaz os requisitos da norma ISO 9001.

### **Garantia**

As condições de garantia para este aparelho são as definidas pelo nosso representante no país onde foi vendido. Pode obter detalhes sobre estas condições junto do agente a quem adquiriu o aparelho. A factura de venda ou o recibo deverão ser entregues quando apresentar uma reclamação ao abrigo dos termos da garantia.

Sujeito a alteração sem aviso prévio.

## INSTRUCCIONES PARA UN USO SEGURO

Este aparato solo debe utilizarse para la limpieza doméstica habitual, como se describe en este manual de usuario. Asegúrese de haber comprendido todo el contenido de este manual antes de poner en funcionamiento el aparato.

No deje enchufado el aparato. Apague y desenchufe siempre el aparato antes de limpiarlo o de realizar cualquier labor de mantenimiento.

Este aparato puede ser usado por niños de 8 años en adelante y personas con capacidades físicas, sensoriales o mentales reducidas o falta de experiencia y conocimiento bajo supervisión y con una explicación de las instrucciones con respecto al uso del aparato de manera segura y que comprendan los riesgos implicados. Los niños no deben jugar con el aparato. Los niños no deben limpiar ni dar mantenimiento sin supervisión.

Si el cable de alimentación está dañado, deje de utilizar el aparato inmediatamente. Para evitar peligros de seguridad, solo profesionales del Servicio Técnico de Hoover deben reemplazar el cable de alimentación.

Mantener lejos de los cepillos rotatorios pies, manos, ropa suelta y cabellos.

Utilizar únicamente accesorios, consumibles o recambios recomendados o suministrados por HOOVER.

**Electricidad estática:** Algunas alfombras pueden provocar una pequeña acumulación de electricidad estática. Las descargas estáticas no son peligrosas para la salud.

No utilice el aparato al aire libre, en superficies húmedas o para recoger líquidos.

No aspire objetos duros o afilados, cerillas, cenizas calientes, colillas de cigarrillo u objetos similares.

No rocíe, ni aspire líquidos inflamables, aerosoles para limpiar o sus vapores.

No pase por encima del cable de alimentación cuando utilice el aparato ni, lo desenchufe tirando del cable.

No siga utilizando su aparato si parece tener algún defecto.

**Servicio Técnico HOOVER:** Para garantizar el funcionamiento seguro y eficaz del aparato, recomendamos que las tareas de mantenimiento y reparación sean realizadas exclusivamente por profesionales autorizados del Servicio Técnico de Hoover.

No pise el cable, ni lo enrolle en los brazos ni piernas al utilizar el aparato.


No utilice el aparato en personas ni animales.

No sitúe el aparato por encima de usted cuando esté limpiando las escaleras.

### El Medio Ambiente:

El símbolo que puede verse en el producto indica que este no puede tratarse como residuo doméstico. En su lugar, se debe entregar en un punto de recogida de electrodomésticos para el reciclaje de equipos eléctricos y electrónicos. La eliminación debe llevarse a cabo según los reglamentos medioambientales locales sobre eliminación de residuos. Para información más detallada sobre el tratamiento, la recuperación y el reciclaje de este aparato, póngase en contacto con su Ayuntamiento, su servicio de recogida de residuos domésticos o con el establecimiento donde haya comprado el producto.



 Este electrodoméstico cumple con las Directivas Europeas 2014/35/UE, 2014/30/UE y 2011/65/UE.

CANDY HOOVER GROUP S.r.l. Via Privata Eden Fumagalli, 20861 Brugherio (MB) Italy

## INFORMACIÓN SOBRE EL ASPIRADOR

- |  |  |
|--|--|
| A. Grupo recolector de polvo                                 | P. Soporte de Accesorios*                        |
| B. Cuerpo principal del aparato                              | Q. Tubo telescópico**                            |
| C. Pedal de encendido/apagado                                | Qa. Pasador del tubo telescópico*                |
| D. Parking   | Qb. Regulador del tubo telescópico**             |
| E. Botón de liberación del recolector de polvo               | R. Pasador de la tobera para suelos y alfombras* |
| F. Pedal recogecable   | S. Tobera para alfombras y suelos (GP)**         |
| G. Recolector de Polvo                                       | S1. Tobera para alfombras (CA)**                 |
| H. Cuerpo ciclón   | S2. Tobera para suelos duros (HF)**              |
| I. Conducto de salida ( Rojo metalizado )                    | T. Tobera deslizante para alfombras y suelos*    |
| J. Tapa del recolector de polvo                              | U. Selector de tipo de pisos*                    |
| K. Gatillo de liberación de la aleta del recolector de polvo | V. Filtro Pre-motor:                             |
| L. Botón de liberación de la tapa del recolector de polvo    | W. Filtro de Descarga                            |
| M. Manguera  | X1. Cepillo para polvo**                         |
| N. Manguera con mango**                                      | X2. Accesorio rincones*                          |
| O. Regulador de succión*                                     | X3. Cepillo para limpieza de muebles*            |
|  | Y. Mini Tobera Tubo Pet Hair Remover*            |
|  | Z. Tobera Mini Turbo eliminación alérgenos*      |
|  | AA. Tobera Parquet*                              |

## MONTAJE DEL ASPIRADOR

Saque todas las piezas del embalaje.

1. Conecte la manguera a la estructura central del aspirador, asegurándose de que quede encajado y bien sujeto en su sitio. Para sacar la manguera: solo hay que ejercer presión sobre el botón que se encuentran en el extremo de la manguera y tirar. [1]
2. Conecte la manguera con mango al extremo superior del tubo de extensión [2a] o a los accesorios, si es necesario. [2b]
3. Conecte el extremo inferior del tubo de extensión a la tobera\*\* [3a] para alfombras y suelos [3] o de ser necesario los accesorios. [3b]
4. Los accesorios de limpieza\* se pueden guardar después del uso en la parte inferior del tubo de extensión, utilizando el porta-accesorios suministrado\*.

## USO DEL ASPIRADOR

1. Extraiga el cable de alimentación y enchúfelo a la toma de corriente. No debe continuar tirando cuando llegue a la marca roja. [4]
2. Ajuste el tubo de extensión \*\* a la altura deseada moviendo el regulador del tubo de extensión \*\* hacia arriba y levante o baje colocándolo en la posición de limpieza más cómoda. [5]
3. Después de conectar el extremo inferior del tubo telescópico con la tobera para suelos y alfombras \*\*, presione el pedal selector\* del tipo de suelo ubicado en la tobera para seleccionar el modo de limpieza ideal para el tipo de suelo:
  - Suelos duros** – Los cepillos bajan para proteger el suelo.
  - Alfombra** – Los cepillos se elevan para una limpieza profunda.

**Tobera de alfombra y suelo\*\*:** [6]

- **Limpieza de suelos duros:** Presione el pedal de la tobera, póngalo en modo Suelos Duros y ajuste el control deslizante de la tobera colocándolo en TODOS LOS SUELOS. En

esta posición los cepillos, las ruedas y la rasqueta se bajan para proteger los suelos duros. [6a]

- **Limpieza de alfombras y tapetes estándar:** Presione el pedal de la tobera, póngalo en modo Alfombra y regule el control deslizante de la tobera colocándolo en TODOS LOS SUELOS. En esta posición, los cepillos y la rasqueta se levantan, mientras que las ruedas se bajan para permitir una perfecta facilidad de movimiento en dichas superficies. [6b]

- **Limpieza profunda de alfombras:** Presione el pedal de la tobera, colóquelo en modo Alfombra y regule colocando el control deslizante de la tobera en LIMPIEZA PROFUNDA DE LAS ALFOMBRAS. En esta posición los cepillos, las ruedas y la rasqueta se levantan para una limpieza profunda de la alfombra. [6c]

**ADVERTENCIA:** Para evitar que se puedan rayar los suelos de madera se recomienda que el pedal no se encuentre en modo suelos duros y el control deslizante en limpieza profunda de las alfombras.

4. Encienda el aspirador pulsando el pedal de encendido/apagado en el cuerpo principal del aspirador. [7]
5. Ajuste la potencia de succión deslizándolo el regulador\* pertinente hasta el nivel deseado. [8]
6. Apague el aparato tras su uso pulsando el pedal de encendido/apagado. Desenchufe y accione el pedal [F] para enrollar el cable de alimentación en el aspirador.

### Sección de estacionamiento y almacenamiento

7. El tubo puede colocarse en la parte posterior del aspirador para guardarlo o apoyarlo temporalmente durante el uso. [9]

## ACCESORIOS

Para obtener el mejor rendimiento y eficiencia se recomienda utilizar toberas adecuadas para las principales acciones de limpieza. Estas toberas se indican en los diagramas con las letras **GP**, **HF** o **CA**.

Una tobera de tipo **GP** se puede utilizar para limpiar tanto alfombras, como suelos duros.

Una tobera de tipo **HF** es adecuada solo para la limpieza de suelos duros.

Una tobera de tipo **CA** es adecuada solo para la limpieza de alfombras.

Las demás toberas son accesorios para efectuar tareas de limpieza especializadas y se recomiendan solo para un uso ocasional.

El accesorio para rincones\*, la tobera para limpieza de muebles\* y el cepillo para polvo\*\* se guardan en el tubo telescópico mediante un práctico porta-accesorios. Se pueden encajar en el mango o en el extremo del tubo telescópico.

En ciertos modelos el cepillo para polvo está cómodamente integrado en el mango de la manguera.

**Cepillo para polvo\*\*** – Para estanterías, marcos, teclados y demás áreas delicadas. [X1]

**Accesorio rincones\*** – Para rincones y zonas de difícil acceso. [X2]

**Cepillo para limpieza de muebles\*** – Para cortinajes y muebles con tejidos blandos. [X3]

**Tobera Parquet\*** – Para suelos de parquet y demás suelos delicados. [AA]

**Mini Tobera Tubo Pet Hair Remover\*** - Emplee la mini tobera turbo para la limpieza de escaleras o para la limpieza a fondo de tejidos y demás áreas difíciles de limpiar. Especialmente adecuada para eliminar los pelos de mascotas. [Y]

**Tobera Mini Turbo eliminación alérgenos\*** – Emplee la mini tobera turbo para la limpieza de escaleras o para la limpieza a fondo de tejidos y demás áreas difíciles de limpiar. Particularmente adecuada para eliminar los alérgenos. [Z]

**IMPORTANTE:** No utilice la tobera mini turbo para alfombras que tengan flecos largos, estén hechas de piel animal, ni sean de un espesor superior a 15 mm. No mantener la

tobera fija en un sitio mientras esté girando el cepillo.

## MANTENIMIENTO DEL ASPIRADOR

### Vaciado del depósito de suciedad

Vacíe el depósito de suciedad cuando la suciedad acumulada llegue al indicador de nivel máximo.

**IMPORTANTE:** Para que su aspirador mantenga un rendimiento óptimo, no deje que la suciedad acumulada supere el nivel máximo.

1. Apague la aspiradora con el interruptor principal y desconecte el cable de energía.
2. Pulse el botón de liberación de la tapa del recolector de polvo y extraiga el grupo recolector de polvo de la aspiradora. [10]
3. Sostenga el recolector de polvo con una mano y presione el gatillo de liberación de la aleta del recolector de polvo. [13]
4. Cierre la aleta del recolector de polvo y encaje nuevamente en el cuerpo principal de la aspiradora. [10]

### Limpieza de los filtros lavables

El aspirador está dotado de filtro pre-motor y filtros de salida. Para mantener prestaciones de limpieza excelentes, extraiga los filtros con regularidad y golpee suavemente contra el borde del contenedor de basura para desprender el polvo. Los filtros deben lavarse después de haber sido vaciados 5 veces o cuando el filtro acumule una cantidad excesiva de suciedad.

**IMPORTANTE:** Todos los aspiradores sin bolsa requieren una limpieza regular de los filtros. De no hacerlo, sus filtros pueden producir bloqueos de aire, recalentamiento y fallos en el producto; lo cual además puede hacer invalidar la garantía.

**IMPORTANTE:** Compruebe los filtros con regularidad y manténgalos en buen estado.

**IMPORTANTE:** Cerciórese siempre de que el paquete de filtros esté completamente seco antes de utilizarlo de nuevo.

#### Para acceder al filtro:

1. Pulse el botón de liberación de la tapa del recolector de polvo y extraiga el grupo recolector de polvo de la aspiradora. [10]
2. Sostenga el recolector de polvo con una mano y con la otra pulse el botón de liberación de la tapa del recolector de polvo para abrir la tapa. [11]
3. Extraiga el filtro pre-motor ubicado en la tapa del recolector. [14]
4. Golpee suavemente y lave el filtro pre-motor. No usar agua hirviendo o detergentes. Eliminar el exceso de agua del filtro y dejar que se seque completamente antes de usarlo nuevamente. [17,18]
5. Cuando se haya secado por completo, vuelva a montar el filtro pre-motor en la tapa del recolector de polvo y encaje nuevamente en la aspiradora.

**IMPORTANTE:** No utilice el aparato si el paquete de filtros no está instalado.

#### Para acceder al filtro:

1. Desenganche la portezuela del filtro de descarga pulsando dos botones y tirando hacia la parte exterior de la estructura central del aspirador. [15]
2. Extraiga el paquete de filtros del alojamiento tirando la anilla de abertura del filtro de descarga. [16]
3. Sacuda suavemente y lave la unidad de filtraje. No usar agua hirviendo o detergentes.

4. Elimine el exceso de agua del filtro y deje secar por completo antes del uso. [17,18]
5. Cuando se haya secado por completo, monte nuevamente el paquete de filtros y vuelva a encajarlo en la aspiradora introduciéndolo de nuevo en el alojamiento y empujándolo hasta el fondo. [16]
6. Enganche la tapa del filtro de descarga presionando el borde que tiene las grapas, se oirá un clic una vez que la portezuela del filtro de descarga encaje en su lugar. [15]

**IMPORTANTE:** No utilice el aparato si el paquete de filtros no está instalado.

### Limpieza del contenedor de polvo / unidad de separación

Este equipo usa un sistema de separación exclusivo de Hoover. Si es necesario, la unidad se puede desmontar del contenedor recolector de polvo para ser limpiada.

1. Pulse el botón de liberación de la tapa del recolector de polvo y extraiga el grupo recolector de polvo de la aspiradora. [10]
2. Sostenga el recolector de polvo con una mano y con la otra pulse el botón de liberación de la tapa del recolector de polvo para abrir la tapa. [11]
3. Extraiga el conducto de salida (rojo) del cuerpo ciclón. [12]
4. Extraiga el cuerpo ciclón del recolector de polvo. [13]
5. De ser necesario, utilice un paño para quitar el polvo excesivo del conducto de salida rojo y la superficie del cuerpo ciclón.
6. Ponga el recolector de polvo debajo del grifo. [17] Enjuagar con agua tibia. Lavar las superficies internas del contenedor solo con agua. NO usar detergentes a base de jabón para lavar las partes internas del contenedor.
7. Vuelva a montar los componentes internos en el recolector de polvo, asegurándose de que todos los componentes estén secos.
8. Cierre la tapa del recolector de polvo y vuelva a encajar el grupo recolector de polvo en la aspiradora.

### Eliminación de obstrucciones

1. Compruebe si el depósito de suciedad está lleno. En caso afirmativo, consulte el apartado "Vaciado del depósito de suciedad".
2. Si el depósito está vacío y la potencia de aspirado es aún baja:
  - A. ¿Cabe la posibilidad de que sea preciso limpiar los filtros? En caso afirmativo, consulte el apartado "Limpieza de los filtros lavables".
  - B. Compruebe si existe alguna otra obstrucción en el sistema - Utilice una varilla o una barra para eliminar cualquier obstrucción del tubo de extensión o de la manguera flexible.
  - C. Comprobar que el filtro pre-motor se encuentre instalado.
  - D. Comprobar si es necesario limpiar la unidad multiciclónica. Ver "Limpieza de la unidad ciclón"



## LISTA DE COMPROBACIÓN PARA EL USUARIO

Si surgiera algún problema con el producto, lleve a cabo las sencillas comprobaciones que se enumeran a continuación antes de llamar a su Servicio Técnico Hoover más cercano.

- ¿Hay suministro de corriente para el aspirador? Pruebe con otro aparato eléctrico.
- ¿El contenedor del polvo está demasiado lleno? Remítase al capítulo "Mantenimiento del Aspirador".
- ¿Está obstruido el filtro? Remítase al capítulo "Mantenimiento del Aspirador".
- ¿Está obstruida la manguera o la tobera? Consulte "Eliminación de una obstrucción en el sistema".
- ¿Se ha recalentado el aspirador? En caso afirmativo, tardará aproximadamente 30 minutos en reiniciarse automáticamente.

## INFORMACIÓN IMPORTANTE

### Piezas de repuesto y consumibles Hoover

Utilice siempre piezas de repuesto originales de Hoover. Puede adquirirlas a través de su Servicio Técnico de Hoover. Cuando realice pedidos de piezas, indique siempre el número de modelo que posee.

### Servicio técnico Hoover

Si en cualquier momento necesitara efectuar reparaciones, diríjase al servicio técnico de Hoover más próximo a su hogar.

### Calidad

BSI ISO 9001: Las fábricas de Hoover han sido sometidas a inspecciones de calidad independientes. Nuestros productos se fabrican de conformidad con un sistema de calidad que cumple los requisitos de la norma ISO 9001.

### Su garantía

Las condiciones de garantía para este aparato vienen definidas por nuestro representante en el país de venta. Puede obtener los detalles acerca de estas condiciones en el establecimiento donde haya comprado este aparato. Debe mostrarse la factura de compra o el recibo al hacer alguna reclamación en virtud de las condiciones de garantía. Sujeto a cambios sin previo aviso.

## INSTRUKTIONER FOR SIKKER ANVENDELSE

Denne støvsuger må kun anvendes til almindelig husholdningsrengøring, som beskrevet i brugsanvisningen. Du bør sikre dig, at du har forstået indholdet af denne brugervejledning fuldt ud, inden apparatet tages i brug.

Efterlad ikke støvsugeren tilsluttet. Inden du rengør eller foretager vedligeholdelse af støvsugeren, skal du altid slukke for den og tage stikket ud af stikkontakten.

Dette udstyr kan anvendes af børn, der er 8 år gamle og derover, og af personer med nedsatte fysiske, sensoriske eller mentale evner eller manglende erfaring og viden, hvis de er under opsyn eller vejledning i at bruge udstyret på en sikker måde og forstår de risici, der er involveret. Børn må ikke lege med udstyret. Rengøring og vedligeholdelse må ikke udføres af børn uden en voksen tilstede.

Hvis netledningen er ødelagt, skal du stoppe med at bruge støvsugeren øjeblikkeligt. For at undgå en sikkerhedsrisiko, skal en autoriseret HOOVER servicetekniker udskifte strømkablet.

Hold hænder, fødder, løstsiddende tøj og hår væk fra roterende børster.

Brug kun tilbehør, forbrugsvarer eller reservedele, som anbefalet eller leveret af Hoover.

**Statisk elektricitet:** Visse tæpper kan forårsage en mindre akkumulering af statisk elektricitet. Udledning af statisk elektricitet er ikke sundhedsfarligt.

Brug ikke støvsugeren udendørs eller på våde overflader eller til opugning af væsker.

Undlad at opsuge hårde eller skarpe genstande, tændstikker, varm aske, cigaretstumper eller andre lignende genstande.

Undlad at sprøjte med eller opsuge brændbare væsker, rensesvæsker, spraydåser eller spray fra disse.

Undlad at køre over strømkablet når du bruger din støvsuger og undlad at trække stikket ud ved at trække i strømkablet, men hold fast i stikket.

Lad være med at fortsætte at bruge støvsugeren, hvis den ser ud til at være defekt.


**HOOVER-SERVICE:** For at sikre løbende sikker og effektiv drift af dette apparat anbefaler vi, at eftersyn eller reparationer udelukkende udføres af en autoriseret Hoover-servicetekniker.


Snur hverken ledningen om arme eller ben eller stå på den, mens du bruger støvsugeren.

Undlad at bruge apparatet på at rengøre mennesker eller dyr.

Undlad at lade støvsugeren stå oven for dig, når du rengør trapper.

#### Miljøet

Symbolet på produktet angiver, at produktet ikke må behandles som husholdningsaffald. Det skal i stedet afleveres til en relevant affaldsstation for genbrug af elektrisk og elektronisk udstyr. Bortskaffelse skal ske i overensstemmelse med de lokale miljøregler vedrørende bortskaffelse af affald.  For mere detaljeret information om behandling, genvinding og genbrug af dette produkt, henvend dig da til den lokale kommune, til dit affaldsselskab eller den forretning hvor du købte produktet.

 Dette apparat overholder bestemmelserne i EU-direktiverne 2014/35/EU, 2014/30/EU og 2011/65/EU.

CANDY HOOVER GROUP S.r.l. Via Privata Eden Fumagalli, 20861 Brugherio (MB) Italy

## LÆR DIN STØVSUGER AT KENDE

- |  |  |
|--|--|
| A. Støvbeholder-delen                  | Qa. Pal til teleskopisk rør*               |
| B. Støvsugerens hoveddel               | Qb. Reguleringsanordning til teleskoprør** |
| C. Tænd/sluk-pedalknap                 | R. Pal til tæppe- og gulvmundstykke*       |
| D. Parkeringslås                       | S. Tæppe- og gulvmundstykke (GP)**         |
| E. Støvbeholderens udløserknap         | S1. Tæppemundstykke (CA)**                 |
| F. Pedalknap til ledningsoprulning     | S2. Mundstykke til hårde gulve (HF)**      |
| G. Støvbeholder                        | T. Glider til tæppe- og gulvmundstykke*    |
| H. Cyklondelen                         | U. Gulvtypevælger*                         |
| I. Hvirvelfinder ( Metallisk rød )     | V. Præ-Motor Filter                        |
| J. Låg til støvbeholder                | W. Udsugningsfilter                        |
| K. Klapudløser til støvbeholder        | X1. Børstemundstykke**                     |
| L. Udløserknap til støvbeholderens låg | X2. Fugemundstykke*                        |
| M. Slange                              | X3. Møbelmundstykke*                       |
| N. Håndtag**                           | Y. Mini-turbomundstykke til dyrehår*       |
| O. Sugekontrol*                        | Z. Mini-turbomundstykke til allergener*    |
| P. Holder til tilbehør*                | AA. Parketgulvs mundstykke*                |
| Q. Teleskoprør**                       |  |

## MONTERING AF DIN DAMPRENSER

Udtag alle komponenter fra emballagen.

1. Tilslut slangen til støvsugerens hoveddel, og sørg for, at den klikker og låses på plads. Sådan tages den af: tryk blot på knappen knappen for enden af slangen, og træk. [1]
2. Tilslut slangens håndtag til øvre ende af forlængerrøret [2a] eller evt. andet tilbehør. [2b]
3. Tilslut forlængerrørets nedre del til tæppe- eller gulvmundstykket \*\* [3a] eller andet tilbehør, hvis det er nødvendigt. [3b]
4. Rengøringsstilbehøret\* kan efter brug opbevares på undersiden af forlængerrøret ved hjælp af tilbehørholderen\*.

## BRUG AF STØVSUGEREN

1. Træk strømledningen ud, og sæt den i stikkontakten. Træk ikke ledningen længere ud end det røde mærke. [4]
2. Justér forlængerrøret\*\* til den ønskede højde ved at flytte reguleringsanordningen til forlængerrøret\*\* op og løfte eller sænke det til den mest behaglige rengøringsposition. [5]
3. Efter at det teleskopiske rørs nederste ende er blevet tilsluttet til tæppe- og gulvmundstykket\*\*, trykkes der på gulvtypevælgerpedalen\* for at vælge den ideelle rengøringsfunktion til gulvtypen:  
**Hårdt gulv** – Børsterne sænkes for at beskytte gulvet.  
**Tæppe** – Børsterne løftes for dyb rengøring.

**Tæppe- og gulvmundstykke\*\*:** [6]

- **Rengøring af hårde gulve:** Tryk pedalen på mundstykket i indstilling for hårde gulve og justér glideren på mundstykket til ALLE GULVE. I denne stilling sænkes børsterne,

hjulene og viskerbladet for at beskytte hårde gulve. [6a]

- **Standardrengøring af gulvtæpper og løse tæpper:** Tryk pedalen på mundstykket i indstilling for gulvtæpper og justér glideren på mundstykket til ALLE GULVE. I denne stilling løftes børsterne og viskerbladet, mens hjulene sænkes for at give en perfekt bevægelsesfrihed på sådanne overflader. [6b]

- **Dyb rengøring af gulvtæpper:** Tryk pedalen på mundstykket i indstilling for gulvtæpper og justér glideren på mundstykket til DYB RENGØRING AF GULVTÆPPER. I denne stilling løftes børsterne, hjulene og viskerbladet for en dybere rengøring af dit gulvtæppe.

[6c]

**ADVARSEL:** Det anbefales at undgå eventuelle ridser af trægulve, da pedalen ikke er sat i indstillingen for hårde gulve og glideren på dyb rengøring af gulvtæpper.

- Sluk for støvsugeren ved at trykke på tænd/sluk-knappen på støvsugerens korpus. [7]
- Indstil sugstyrken ved at glide sugstyrke kontrollen\* til det ønskede niveau. [8]
- Sluk efter brug ved at trykke på tænd/sluk-pedalknappen. Træk stikket ud af stikkontakten, og tryk på pedalen [F] til ledningsoprulning for at rulle ledningen tilbage i støvsugeren.

#### Afsnit om Opbevaring

- Røret kan placeres på bagsiden af støvsugeren under opbevaring eller under midlertidigt pause i brugen. [9]

## TILBEHØR

For at opnå den bedste ydeevne og effektive udnyttelse, anbefales det at de korrekte mundstykker anvendes til de vigtigste rengøringsformål. Disse mundstykker er vist i illustrationerne ved bogstaverne **GP**, **HF** og **CA**.

Mundstykketypen **GP** anvendes for at rengøre både tæpper og hårde gulve.

Mundstykketypen **HF** er kun velegnet til brug på hårde gulve.

Et mundstykke af typen **CA** er kun velegnet på tæpper

De andre mundstykker er tilbehør for specielle rengøringsopgaver og er kun anbefalede til lejlighedsvis anvendelse.

Spalteværktøjet\*, møbelmundstykket\* og børsteværktøjet\*\* sidder i teleskoprøret i en praktisk holder til tilbehørsdelene. De kan monteres på håndtaget eller for enden af teleskoprøret.

På visse modeller er børsteværkstøjet praktisk indbygget i slangens håndtag.

**Børstemundstykke\*\*** – Til bogreoler, rammer, tastaturer og andre sarte områder. [X1]

**Fugemundstykke\*** – Til hjørner og områder, der er vanskelige at komme til. [X2]

**Møbelmundstykke\*** – Til bløde møbler og stoffer. [X3]

**Parketgulvs mundstykke\*** – Til parketgulve og andre sarte gulve. [AA]

**Mini-turbomundstykke til dyrehår\*** - Brug mini-turbomundstykket på trapper eller til rengøring af tekstiloverflader i dybden og andre områder, der er svære at rengøre. Især velegnet til fjernelse af dyrehår. [Y]

**Mini-turbomundstykke til allergener\*** – Brug mini-turbomundstykket på trapper eller til rengøring af tekstiloverflader i dybden og andre områder, der er svære at rengøre. Især velegnet til fjernelse af allergener. [Z]

**VIGTIGT:** Brug ikke turbo- og mini-turbomundstykket på tæpper med lange frynser, skind og

\*Kun til visse modeller \*\* Kan variere i forhold til model

på tæppefliser, der er dybere end 15 mm. Hold ikke mundstykket stille, mens børsten roterer.

## VEDLIGEHOLDELSE AF STØVSUGEREN

### Tømning af støvbeholderen

Når støvet når maksimumsindikatoren i beholderen, skal støvbeholderen tømmes.

**VIGTIGT:** For at opnå optimal ydelse må støvet ikke nå højere end til maks.niveaue.

- Sluk støvsugeren på hovedkontakten og tag ledningen ud.
- Tryk på udløserknappen til støvbeholderens låg og fjern støvbeholderen fra støvsugeren. [10]

3. Hold støvbeholderen med en hånd og tryk på udløseren til støvbeholderklappen. [13]

4. Luk støvbeholderklappen og tilpas til støvsugerens hoveddel. [10]

### Rengøring af de vaskbare filtre

Støvsugeren er udstyret med præmotor- og udsugningsfilter. For at opretholde den optimale rengøringsydelse, skal filtrene fjernes og bankes regelmæssigt for at fjerne støvet. Filtrene bør vaskes hver 5. gang beholderen tømmes, eller når filteret er fyldt med støv.

**VIGTIGT:** Alle poseløse støvsuger kræver regelmæssig rensning af filtre. Hvis du ikke renser din filtre, kan det resultere i luftblokering, overophedning og beskadigelse af produktet. Dette kan gøre din garanti ugyldig.

**VIGTIGT:** Kontroller og vedligehold filtrene regelmæssigt.

**VIGTIGT:** Sørg altid for, at filterpakken er helt tør før brug.

### Adgang til filteret:

- Tryk på udløserknappen til støvbeholderens låg og fjern støvbeholderen fra støvsugeren. [10]
- Hold støvbeholderen med en hånd og tryk med den anden på udløserknappen til støvbeholderens låg for at åbne det. [11]
- Fjern forfilteret placeret på beholderens låg. [14]
- Bank forsigtigt filteret og vask det. Brug ikke meget varmt vand eller rengøringsmidler Fjern det overskydende vand fra filteret, og lad det tørre helt, før det genbruges. [17,18]
- Genindsæt forfilteret i beholderens låg, når det er helt tørt, og klargør støvsugeren.

**VIGTIGT:** Produktet må ikke bruges uden filterpakken monteret.

### Adgang til udblæsningsfilteret:

- Frigør døren til udblæsningsfilteret ved at presse to knapper og trække udad fra støvsugerens hoveddel. [15]
- Fjern filterpakken fra fordybningen ved at trække i udblæsningsfilterets ring. [16]
- Bank filteret let og vask filterenheden. Brug ikke meget varmt vand eller rengøringsmidler Fjern overskydende vand fra filteret og lad den tørre helt før det anvendes igen. [17,18]
- Genindsæt filterpakken, når den er helt tør, og fastgør den ved at skubbe den helt på plads. [16]
- Lås dækslet til udblæsningsfilteret ved at trykke på kanten som har tre clips. Du vil høre et klik, når først dækslet til udblæsningsfilteret er kommet på plads. [15]

**VIGTIGT:** Produktet må ikke bruges uden filterpakken monteret.

### Rengøring af støvbeholderen / separeringsenheden

Denne støvsuger har en separeringsenhed, som kun findes hos Hoover. Hvis det er

nødvendigt, kan separeringsenheden afmonteres fra støvbeholderen og rengøres.

1. Tryk på udløserknappen til støvbeholderens låg og fjern støvbeholderen fra støvsugeren. **[10]**
2. Hold støvbeholderen med en hånd og tryk med den anden på udløserknappen til beholderens låg for at åbne det. **[11]**
3. Fjern hvirvelfinderen (rød) fra cyklondelen. **[12]**
4. Fjern cyklondelen fra støvbeholderen. **[13]**
5. Brug om nødvendigt en klud til at fjerne overskydende støv fra den røde hvirvelfinder og cyklondelens overflade.
6. Hold støvbeholderen ind under vandhanen. **[17]** Skyl med lunken vand. Vask beholderens indvendige flader med vand. Man må IKKE bruge sæbemidler til afvaskning af filterbeholderens indvendige dele.
7. Saml alle de indvendige dele at støvbeholderen, og sørg for at de er tørre.
8. Luk støvbeholderens låg og genindsæt beholderen i støvsugeren.

#### Fjernelse af en tilstopning

1. Kontroller, om støvbeholderen er fuld. Hvis det er tilfældet, skal du se "Tømning af støvbeholderen".
2. Hvis støvbeholderen er tom, men suget stadig er lavt
  - A. Trænger filterne til at blive rensede? Hvis det er tilfældet, skal du se "Rensning af de vaskbare filtre".
  - B. Kontrollér, om der er andre tilstopninger i systemet - Brug en stang eller lignende til at fjerne eventuelle tilstopninger fra forlængerrøret eller den bøjelige slange.
  - C. Kontroller, om for-motorfilteret er monteret.
  - D. Kontroller, om separeringsenheden skal renses. Se "Rengøring af separeringsenheden".

## BRUGERENS CHECKLISTE

Hvis du får et problem med produktet, skal du udfylde denne enkle brugercheckliste, før du ringer til den lokale Hoover-service.

- Virker strømforsyningen til støvsugeren? Kontroller venligst på et andet elektrisk apparat.
- Er støvbeholderen overfyldt? Se venligst under "Vedligeholdelse af støvsugeren".
- Er filteret tilstoppet? Se venligst under "Vedligeholdelse af støvsugeren".
- Er slangen eller mundstykket tilstoppet? Se "Sådan fjerner du en tilstopning fra systemet".
- Er støvsugeren overophedet? Hvis den er, vil det vare ca. 30 minutter at nulstille automatisk.

## VIGTIGE OPLYSNINGER

### Hoover reservedele og forbrugsstoffer

Udskift altid dele med ægte Hoover reservedele. Disse fås fra Hoovers reservedelsforhandler, check [www.hoover.dk](http://www.hoover.dk) Når du bestiller dele, skal du altid opgive modelnummer.

### Hoover-service

Hvis du ønsker service på dine produkter, skal du kontakte det lokale Hoover-servicekontor.

### Kvalitet

BSI ISO 9001: Hoovers fabrikker er blevet vurderet uafhængigt for kvalitet. Vores produkter fremstilles med brug af et kvalitetssystem, der opfylder kravene i henhold til ISO 9001.

### Din reklamationsret

Garantibetingelserne for dette apparat er som defineret af vores repræsentant i det land, hvor det er solgt. Oplysninger vedrørende disse betingelser kan indhentes hos den forhandler, apparatet er købt hos. Kvitteringen skal fremvises i forbindelse med ethvert krav under disse garantibetingelser.

Ret til ændringer uden varsel forbeholdes

## INSTRUKSJONER FOR SIKKER BRUK

Dette apparatet må kun brukes til husrengjøring, og slik denne bruksanvisningen beskriver. Sørg for at denne veiledningene er forstått fullstendig før du bruker apparatet.

Apparatet må ikke forlates mens det er tilkoblet strømmettet. Slå alltid av apparatet og koble fra støpselet etter bruk samt før apparatet rengjøres eller vedlikeholdes.

Apparatet kan brukes av barn fra 8 år, og av personer med nedsatte fysiske, sanselige eller mentale evner, eller manglende erfaring og kunnskap, dersom de er under oppsyn eller har fått opplæring i sikker bruk av apparatet og forstår farene bruk av apparatet kan medføre. Barn skal ikke leke med apparatet. Rengjøring og vedlikehold skal ikke utføres av barn uten oppsyn.

Bruken av apparatet må opphøre umiddelbart dersom strømledningen er skadet. Unngå sikkerhetsfarer ved å la en autorisert HOOVER-tekniker skifte ut strømledningen.

Hold hender, føtter, løse klær og hår unna roterende børster.

Bruk kun tilbehør, forbruksvarer eller reservedeler som anbefales eller leveres av HOOVER.

**Statisk elektrisitet:** Noen tepper kan forårsake små dannelser av statisk elektrisitet. Utladning av statisk elektrisitet er ikke helseskadelig.

Du må ikke bruke apparatet utendørs, på våte overflater eller til å støvsuge væske.

Du må ikke støvsuge harde eller skarpe objekter, varm aske, sigarettneiper eller andre liknende gjenstander.

Apparatet må ikke utsettes for eller støvsuge opp brennbare væsker, rengjøringsmidler, aerosoler eller damp fra slike væsker.

Unngå å kjøre over ledningen eller trekke ut støpselet under bruk.

All bruk av apparatet må opphøre hvis det viser tegn på feilfunksjon.

**HOOVER-service:** For å sikre at apparatet fortsetter å fungerer på en trygg og effektiv måte, anbefaler vi at service- og reparasjonsarbeid kun utføres av autoriserte HOOVER-teknikere.

Du må ikke stå på ledningen eller la den vikle seg rundt armene eller bena dine under bruk.

Du må ikke bruke apparatet til å rengjøre dyr eller mennesker.

Apparatet må ikke være plassert ovenfor deg under rengjøring av trapper.

### Miljøet

Symbolet på dette apparatet indikerer at det ikke kan betraktes som husholdningsavfall. Ved avhending må apparatet overleveres til en egnet miljøstasjon for resirkulering av elektrisk og elektronisk utstyr. Avhendingen må gjennomføres i samsvar med lokale miljøforskrifter for avfallshåndtering. Du kan få mer detaljert informasjon om avfallsbehandling, gjenvinning og resirkulering av dette apparatet ved å ta kontakt med vårt nærmeste lokalkontor, renovasjonsetaten eller forretningen du kjøpte apparatet hos.



**CE** Dette apparatet er i overensstemmelse med EU-direktivene 2014/35/EU, 2014/30/EU og 2011/65/EU.

CANDY HOOVER GROUP S.r.l. Via Privata Eden Fumagalli, 20861 Brugherio (MB) Italy

## BLI KJENT MED STØVSUGEREN DIN

- |                                       |  |
|---------------------------------------|--|
| A. Støvbeholderinnretning             | Qa. Teleskoprørlås*                              |
| B. Rengjøringsapparatets hoveddel     | Qb. Teleskoprørjustering**                       |
| C. På/av-knapp                        | R. Munnstykkelås til gulv og teppe*              |
| D. Parkeringsspor                     | S. Munnstykke til teppe og gulv (GP)**           |
| E. Utløserknapp for støvbeholder      | S1. Munnstykke for harde gulv (CA)**             |
| F. Fotpedal for innrulling av ledning | S2. Dyse for harde gulv (HF)**                   |
| G. Sjøppelbøtte                       | T. Glidebryter til munnstykke for teppe og gulv* |
| H. Syklonkroppen                      | U. Gulvtypevelger*                               |
| I. Vortex-finner ( Metallisk rød )    | V. Pre-motor filter                              |
| J. Løkk til støvbeholder              | W. Avgassfilter                                  |
| K. Utløserknapp for støvbeholderklaff | X1. støvbørste**                                 |
| L. Utløserknapp for støvbeholderløkk  | X2. flatt munnstykke,*                           |
| M. Slange                             | X3. Møbelmunnstykke*                             |
| N. Håndtak**                          | Y. Miniturbomunnstykke for dyrehår*              |
| O. Sugeregulator*                     | Z. Miniturbomunnstykke for allergen*             |
| P. Holder for tilbehør*               | AA. Munnstykke for parkett*                      |
| Q. Teleskopør**                       |  |

## SLIK SETTER DU SAMMEN RENGJØRINGSAPPARATET

Fjern alle komponenter fra emballasjen.

1. Koble slangen til støvsugerens hoveddel, og påse at den smetter på plass og låses fast. For å utløse: trykk inn knappen på slangen og trekk. [1]
2. Koble slanghåndtaket til den øvre enden av forlengelsesrøret[2a], eller tilbehør hvis nødvendig. [2b]
3. Koble forlengelsesrørets nedre del til teppe- og gulvmunnstykket\*\* [3a], eller tilbehør, hvis nødvendig. [3b]
4. Støvsugerens tilbehørsutstyr\*\* kan lagres etter bruk på undersiden av forlengelsesrøret ved å bruke tilbehørsholderen som medfølger\*.

## BRUK AV APPARATET

1. Trekk ut strømledningen og sett den inn i stikkkontakten. Ikke trekk ledningen utover det røde merket. [4]
2. Juster forlengelsesrøret\*\* til ønsket høyde ved å flytte forlengelsesrørets innstiller\*\* opp og heve eller senke til den mest komfortable rengjøringsposisjonen. [5]
3. Etter å ha koplet teleskopets nedre endestykke til munnstykket for teppe og gulv \*\*, trykk på gulvets pedal" på munnstykket for å velge gulvets korrekte rengjøringsmodus:  
**Hardt gulv** – Børstene senkes for å beskytte gulvet.  
**Teppe** – Børstene heves for en dypere rengjøring.

**Teppe- og gulvdyse\*\*:** [6]

- **Rengjøring av hardt gulv:** Trykk på pedalen på munnstykket for hard gulv-modus og juster glidebryteren på munnstykket til ALLE GULV. I denne posisjonen vil børster, hjul og viskeblad senkes for å beskytte harde gulv. [6a]
- **Standard rengjøring av Tepper & Pledd:** Trykk på munnstykkepedalen for teppemodus

og juster glidebryteren til munnstykket for ALLE GULV. I denne posisjonen vil børster og viskerbladet løftes mens hjulene senkes for å lette rengjøringen på disse overflatene. [6b]

- **Dyp tepperens:** Trykk på munnstykkets pedal i teppemodus og juster glidebryteren på munnstykket for DYP TEPPERENS. I denne posisjonen vil børster og viskerblad heves for en dypere rens av teppet. [6c]

**ADVARSEL:** For å unngå oppskraping av tregulv er det anbefalt å ikke sette pedalen i hardt gulv - modus og glidebryteren på dyp gulvrens.

4. Skru på støvsugerens ved å trykke på av/på-knappen på støvsugerens. [7]
5. Juster suget ved å flytte sugeregulatoren\* til ønsket nivå. [8]
6. Slå av apparatet ved å trykke på av/på-pedalen på enden. Koble fra støpselet og trykk på pedalen [F] for innrulling av ledningen for å trekke ledningen inn i støvsugerens.

### Avsnitt om parkering og oppbevaring

7. Røret kan festes på baksiden av støvsugerens når den skal settes bort eller forlates midlertidig under bruk. [9]

## TILBEHØR

For å oppnå optimal ytelse og effektivitet anbefales det at det brukes riktig munnstykke for de største rengjøringsjobbene. Munnstykkene indikeres i diagrammene med bokstavene GP, HF eller CA.

Et GP-munnstykke kan brukes til å støvsuge både tepper og harde gulv.

Et HF-munnstykke egner seg kun for bruk på harde gulv.

Et CA-munnstykke egner seg kun for bruk på tepper.

De andre munnstykkene er tilbehør for spesialiserte rengjøringsjobber. Det anbefales kun å bruke disse til spesialiserte oppgaver.

Det flate munnstykket\*, møbelmunnstykket\* og støvbørsten\*\* oppbevares på teleskoprøret via en praktisk holder for ekstrautstyr. De kan festes på håndtaket eller på enden av teleskoprøret.

På noen modeller er støvbørsten praktisk integrert i slangehåndtaket.

**Støvbørste\*\*** – for bokhyller, rammer, tastatur og andre ømfintlige områder. [X1]

**Flatt munnstykke,\*** – til hjørner og steder som er vanskelige å komme til. [X2]

**Møbelmunnstykke,\*** – Til myke møbler og tekstiler. [X3]

**Munnstykke for parkett\*** – for parkettgulv og andre ømtålige gulv. [AA]

**Miniturbomunnstykke for dyrehår\*** - Bruk miniturbomunnstykket i trapper eller for dyp rengjøring av tekstiler og andre områder som er vanskelige å rengjøre. Er spesielt godt egnet til fjerning av dyrehår. [Y]

**Miniturbomunnstykke for allergen\*** – Bruk miniturbomunnstykket i trapper eller for dyp rengjøring av tekstiler og andre områder som er vanskelige å rengjøre. Er spesielt godt egnet til fjerning av allergener. [Z]

**VIKTIG:** Ikke bruk turbo- og miniturbomunnstykkene på tepper med lange frynser, dyreskinn eller på tepper med en tråddybde på mer enn 15 mm. Ikke la kraftmunnstykket stå stille mens børsten roterer.

## VEDLIKEHOLD AV STØVSUGEREN

### Tømme støvbeholderen

Når støvet når indikatoren for maksimalnivået i beholderen må støvbeholderen tømmes.

**VIKTIG:** For å vedlikeholde optimal ytelse, ikke la støvmengden komme høyere opp enn maksimalnivået.

1. Slå av støvsugeren med hovedbryteren og trekk ut strømkabelen.
2. Trykk på utløserknappen for støvbeholderen og fjern støvbeholderinnretningen fra støvsugeren. **[10]**
3. Hold støvbeholderen med den ene hånden og trykk på utløserknappen for støvbeholderklaffen. **[13]**
4. Lukk støvbeholderklaffen og sett hoveddelen av støvsugeren tilbake på plass. **[10]**

### Rengjøre de vaskbare filterne

Støvsugeren er montert med pre-motorfilter og utløpsfilter. Du opprettholder optimal rengjøringsytelse ved å fjerne filterne regelmessig, og dunke lett mot avfallsbeholderens sider for å frigjøre støv. Filtrene skal vaskes for hver femte tømming av beholderen, eller når filteret har ekstra mye støv.

**VIKTIG:** Alle poseløse rengjøringsmaskiner trenger regelmessig rens av filterne. Manglende rengjøring av filterne kan resultere i tilstopping av luft, overopphetning og produktsvikt. Dette kan gjøre garantien ugyldig.

**VIKTIG:** Jevnlig kontroller og oppretthold filterne.

**VIKTIG:** Påse alltid at filterpakken er fullstendig tørr før bruk.

### Gjør følgende for å få tilgang til filteret:

1. Trykk på utløserknappen for støvbeholderen og fjern støvbeholderinnretningen fra støvsugeren. **[10]**
2. Hold støvbeholderen med den ene hånden og trykk på utløserknappen for støvbeholderlokket med den andre hånden. **[11]**
3. Fjern pre-motor-filteret i beholderlokket. **[14]**
4. Bank forsiktig på og vask pre-motor-filteret. Ikke bruk for varmt vann eller vaskemidler. Tørk bort overflødig vann fra filteret, og la det tørke helt før du bruker det på nytt. **[17,18]**
5. Monter pre-motor-filteret til støvbeholderlokket straks det er blitt helt tørt og sett det tilbake på støvsugeren.

**VIKTIG:** Ikke bruk produktet uten montert filterpakke.

### Gjør følgende for å få tilgang til utsugingsfilteret:

1. Lås opp eksosfilterdøren ved å trykke på to knapper og fra den ut fra hoveddelen. **[15]**
2. Fjern filterpakken fra fordyningen ved å dra i ringen for eksosfilteret. **[16]**
3. Bank forsiktig og vask filterenheten. Ikke bruk for varmt vann eller vaskemidler. Tørk bort overflødig vann fra filteret, og la det tørke helt før du bruker det. **[17,18]**
4. Sett sammen filterpakken når den er helt tørr og sett den i støvsugeren ved å sette den tilbake i sin opprinnelige plassering og skyve den helt inn. **[16]**
5. Lås eksosfilterdekselet ved å trykke på kanten med klipsene. Du hører et klikk når eksosfilterdekselet kommer på plass. **[15]**

**VIKTIG:** Ikke bruk produktet uten montert filterpakke.

### Rengjøre støvbeholderen / separasjonsenheten

Denne støvsugeren bruker et separasjonssystem som kun brukes av Hoover. Separasjonsenheten kan fjernes fra støvbeholderen og rengjøres.

1. Trykk på utløserknappen for støvbeholderen og fjern støvbeholderinnretningen fra støvsugeren. **[10]**
2. Hold støvbeholderen med den ene hånden og trykk på utløserknappen for støvbeholderlokket med den andre hånden for å åpne lokket. **[11]**
3. Fjern vortex-finneren (rød) fra sykklonkroppen. **[12]**
4. Fjern sykklonkroppen fra støvbeholderen. **[13]**
5. Fjern overdrevent støv fra den røde spilledningen og sykklonkroppens overflate med en klut når det blir nødvendig.
6. Plasser støvbeholderen under kranen. **[17]** Skyll med lunkent vann. Vask bare med vann på innsiden av støvbeholderen. IKKE BRUK såpe eller rengjøringsmidler til å vaske innsiden av støvbeholderen.
7. Monter den interne komponenten på støvbeholderen, mens du ser til at alle komponenter er tørre.
8. Lukk støvbeholderlokket og monter støvbeholderinnretningen på støvsuger.

### Fjerne en tilstopping

1. Kontroller om støvbeholderen er full. Hvis det er tilfellet, sjekk "Tømme støvbeholderen".
2. Hvis støvbeholderen er tom men sugekraften er dårlig:
  - A. Trenger filteret å bli rensset? Hvis det er tilfellet, sjekk "Rense de vaskbare filterene".
  - B. Kontroller om det finnes andre tilstoppinger i systemet - bruk en stake eller annen lang gjenstand til å fjerne tilstoppingen fra røret eller slangen.
  - C. Kontroller om premotorfilteret er montert.
  - D. Kontroller om separasjonsenheten trenger å rengjøres. Se kapittelet "Rengjør separasjonsenheten".

## SJEKKLISTE FOR BRUKER

Hvis du har problemer med produktet, går du gjennom denne enkle kontrollisten før du ringer ditt lokale Hoover-servicekontor.

- Får støvsugeren tilført strøm? Prøv å koble annet elektrisk utstyr til stikkkontakten.
- Er støvboksen overfylt? Vennligst sjekk "Vedlikehold av Støvsugeren".
- Er filteret blokkert? Vennligst sjekk "Vedlikehold av Støvsugeren".
- Er slangen eller munnstykket blokkert? Vennligst sjekk "Fjerne en blokkering fra systemet".
- Har støvsugeren blitt overopphet? Hvis det er tilfellet vil det ta omtrent 30 minutter før den blir automatisk nullstilt.



## VIKTIG INFORMASJON

### Originaldeler fra Hoover

Bruk alltid originale deler fra Hoover. Disse er tilgjengelige fra din lokale Hoover-forhandler eller direkte fra Hoover. Når du bestiller deler, må du alltid oppgi modellnummeret ditt.

### Hoover-service

Hvis du på noe tidspunkt skulle trenge service, ber vi deg kontakte ditt lokale Hoover-servicekontor.

### Kvalitet

BSI ISO 9001: Hoovers fabrikker har blitt uavhengig kvalitetsvurdert. Våre produkter produseres ved å bruke et kvalitetssystem som er i samsvar med ISO 9001.

### Din garanti

Garantibetingelsene for dette apparatet er som definert av vår representant i det landet der det ble solgt. Detaljer vedrørende disse betingelsene fås fra forhandleren der apparatet ble kjøpt. Salgskvitteringen må fremvises ved fremsetting av krav under betingelsene i denne garantien..

Kan endres uten forvarsel.

## INSTRUKTIONER FÖR SÄKER ANVÄNDNING

Som beskrivs i denna bruksanvisning, får denna apparat endast användas vid städning av hemmet. Se till att du förstår anvisningarna helt innan du börjar använda maskinen.

Lämna aldrig denna apparat inkopplad. Stäng alltid av apparaten och dra ut kontakten ur vägguttaget efter användning eller innan rengöring av produkten eller utföring av en underhållsåtgärd.

Den här apparaten kan användas av barn från 8 års ålder och personer med en nedsatt fysisk, sensorisk eller mental förmåga och som inte har den erfarenhet och kunskaper som behövs, förutsatt att de övervakas eller har fått instruktioner om hur apparaten används på ett säkert vis och förstår riskerna som är involverade. Barn får inte leka med apparaten. Rengöring och underhåll som användaren ska utföra, får inte göras av barn utan överinseende.

Om nätsladden är skadad, sluta då omedelbart att använda produkten. För att undvika en säkerhetsrisker, måste en auktoriserad servicetekniker från HOOVER byta nätsladden.

Håll händer, fötter, lösa klädesplagg och hår borta från roterande borstar.

Använd endast tillbehör, förbrukningsartiklar eller reservdelar som rekommenderas eller levererats av HOOVER.

**Statisk elektricitet:** Vissa mattor kan orsaka att lite statisk elektricitet byggs upp. Elektrostatiska urladdningar är inte hälsofarliga.

Använd inte apparaten ut ur dörrar eller på något vått underlag eller för våtupptagning.

Plocka inte upp hårda eller vassa föremål, tändstickor, het aska, fimpar eller andra liknande föremål.

Plocka inte upp eller spraya med brandfarliga vätskor, rengöringsmedel, aerosoler eller ångor.

Kör inte över sladden när du använder apparaten eller dra ut kontakten genom att dra i sladden.

Fortsätt inte att använda apparaten om den verkar defekt.

**HOOVER service:** För att säkerställa en fortsatt säker och effektiv drift av denna apparat rekommenderar vi att service eller reparationer endast utförs av en auktoriserad servicetekniker från HOOVER.

Stå inte på sladden eller vira den runt armar eller ben när du använder apparaten.

Använd inte apparaten för att rengöra djur eller människor.

Placera inte apparaten ovanför dig när du rengör trappor.

#### Miljön

Symbolen på apparaten indikerar att denna produkt inte får behandlas som hushållsavfall. Den måste i stället lämnas in på uppsamlingsplats för återvinning av elektrisk och elektronisk utrustning. Avfallshanteringen ska utföras enligt de lokala miljöbestämmelserna. För mer information om hantering, återvinning och återanvändning av denna produkt, kontakta din kommun, lokala myndigheter och renhållningsverk eller den butik där du köpte apparaten.



**CE** Denna apparat uppfyller de europeiska direktiven 2014/35/EU, 2014/30/EU och 2011/65/EU.

CANDY HOOVER GROUP S.r.l. Via Privata Eden Fumagalli, 20861 Brugherio (MB) Italy

## LÄRA KÄNNA DIN ÅNGRENGÖRARE

- |   |   |
|---|---|
| A. Dammbehållare                              | P. Tillbehörshållare*                             |
| B. Huvuddel                                   | Q. Teleskoprör**                                  |
| C. På/av-pedal                                | Qa. Teleskopiskt rör lås*                         |
| D. Förvaringsplats                            | Qb. Teleskoprörsreglage**                         |
| E. Frigörningsknapp för dammbehållarens lock  | R. Spärr matt- och golvmunstycke*                 |
| F. Pedal till sladdvinda                      | S. Matt- och golvmunstycke <b>(GP)**</b>          |
| G. Dammbehållare                              | S1. Munstycke för mattor <b>(CA)**</b>            |
| H. Cyklonkropp                                | S2. Munstycke för hårda golv <b>(HF)**</b>        |
| I. Vortex Finder ( Röd metallic )             | T. Reglage matt- och golvmunstycke*               |
| J. Dammbehållarens lock                       | U. Golvtypväljare*                                |
| K. Frigörningsspak till dammbehållarklaffen   | V. Förmotorfilter                                 |
| L. Frigörningsknapp till dammbehållarens lock | W. Utblåsningsfilter                              |
| M. Slang                                      | X1. Dammborste**                                  |
| N. Handtag**                                  | X2. Verktyg för springor*                         |
| O. Sugreglerare*                              | X3. Möbelmunstycke*                               |
|   | Y. Miniturbomunstycke för borttagning av djurhår* |
|   | Z. Allergenavlägsnande miniturbomunstycke*        |
|   | AA. Parkettmunstycke*                             |

## SÄTTA IHOP ÅNGRENGÖRAREN

Ta ur alla delar ur förpackningen.

1. Koppla i slangen i dammsugarkroppen och se till så att den knäpper i läge. För att ta loss: tryck bara ned knappen på slangändan och dra. **[1]**
2. Anslut slanghandtaget till änden av det övre förlängningsröret [2a] eller tillbehör vid behov. **[2b]**
3. Koppla förlängningsrörets nedre ände till matt- och golvmunstycket\*\* **[3a]** eller tillbehör om så krävs. **[3b]**
4. Rengöringstillbehören\* kan efter användning förvaras på undersidan av förlängningsröret med hjälp av tillhandahållen tillbehörshållare\*.

## ANVÄNDA PRODUKTEN

1. Dra ur nätsladden och koppla in den i ett vägguttag. Dra inte ut sladden längre än till den röda markeringen. **[4]**
2. Anpassa förlängningsröret\*\* till önskad höjd med reglaget på förlängningsröret för att höja eller sänka det till den mest bekväma rengöringspositionen. **[5]**
3. När du har anslutit teleskoprörets nedre ände till matt- och golvmunstycket\*\*, tryck på pedalväljaren på munstycket för att välja det perfekta rengöringsläget för golvtypen:
  - Hårt golv** – Borstarna sänks ned för att skydda golvet.
  - Matta** – Borstarna dras upp för djupare rengöring.

**Matt & Golv Munstycke\*\*:** **[6]**

- **Rengöring av hårda golv:** Tryck på munstyckets pedal för att välja hårdgolvsläget

och justera reglaget på munstycket till ALLA GOLV. I det här läget sänks borstar, hjul och torkarblad för att skydda hårda golv. [6a]

- **Rengöring av standardmattor:** Tryck pedalen på munstycket till mattläget och justera reglaget på munstycket till ALLA GOLV. I det här läget lyfts alla borstar och torkarblad medan hjuler sänks för att tillåta len enkel förflyttning på en sådan yta. [6b]

- **Djup mattrengöring:** Tryck pedalen på munstycket till mattläget och justera reglaget på munstycket till DJUP MATTRENGÖRING. I det här läget lyfts borstar, hjul och torkarblad för en djupare rengöring av din matta. [6c]

**WARNING:** Vi rekommenderar att pedalen inte ställs in på hårdgolvläget och reglaget på djup mattrengöring för att undvika eventuella repor på trägolv.

4. Sätt på dammsugaren genom att trycka på på/av Pedalen på dammsugarkroppen. [7]
5. Ställ in sugeffekten genom att skjuta sugregleraren\* till önskad nivå. [8]
6. När du inte använder produkten, stänger du av den genom att trycka på On / Off pedalen. Koppla ur och tryck på pedalen [F] till sladdvindan för att linda tillbaka nätsladden i dammsugaren.

#### Parkerings och förvarings avsnitt

7. Röret kan förvaras på baksidan av dammsugaren för lagring eller tillfällig förvaring under användning. [9]

### TILLBEHÖR

För att uppnå bästa prestanda och effektivitet rekommenderas det att rätt munstycke används för de huvudsakliga städarbetena. Dessa munstycken visas i diagrammen med beteckningarna **GP**, **HF** och **CA**.

Ett munstycke av typen **GP** kan användas till att rengöra både mattor och hårda golv.

Ett munstycke av typen **HF** är endast lämpligt för användning på hårda golv.

Ett munstycke av typen **CA** är endast lämpligt för användning på mattor.

De andra munstyckena är tillbehör för specialrengöring och rekommenderas endast för enstaka rengöringstillfällen.

Fogmunstycket\*, möbelmunstycket\* och dammborsten\*\* förvaras i teleskopröret genom en praktiskt tillbehörshållare. De kan monteras på handtaget eller i slutet av teleskopröret. På vissa modeller är dammborsten bekvämt integrerad i rörets handtag.

**Dammborste\*\*** – För bokhyllor, ramar, tangentbord och andra känsliga utrymmen. [X1]

**Verktøy för springor\*** – För hörn och svåråtkomliga utrymmen. [X2]

**Möbelmunstycke\*** – För mjuka möbler och textil. [X3]

**Parkettmunstycke\*** – För parkettgolv och andra känsliga golv. [AA]

**Minuturbomunstycke för borttagning av djurhår\*** - Använd minuturbomunstycket i trappor eller för djuprengöring av textilytor och andra svårrengjorda ytor. Särskilt lämpligt för borttagning av djurhår. [Y]

**Allergenavlägsnande minuturbomunstycke\*** – Använd minuturbomunstycket i trappor eller för djuprengöring av textilytor och andra svårrengjorda ytor. Särskilt lämpligt för allergenborttagning. [Z]

**VIKTIGT:** Använd inte turbo- och minuturbomunstycket på mattor med långa fransar,

djurfällor eller mattor med högre lugg än 15 mm. Håll inte drivmunstycket stilla medans borstarna roterar.

### UNDERHÅLL AV DAMMSUGAREN

#### Tömma dammbehållaren

När dammet når maxnivån tömmer du dammbehållaren.

**VIKTIGT:** För att bibehålla optimal kapacitet får dammet inte överskrida maxnivån.

1. Slå av dammsugaren med huvudströmbrytaren och dra ut strömsladden.
2. Tryck på frigörningsknappen till dammbehållarens lock och ta loss dammbehållaren från dammsugaren. [10]
3. Håll dammbehållaren med en hand och tryck på frigörningsspaken till dammbehållarklaffen. [13]
4. Stäng dammbehållarklaffen och sätt tillbaka den på dammsugarkroppen. [10]

#### Rengöra de tvättbara filtren

Dammsugaren är försedd med förmotorfilter och utblåsningsfilter. För att upprätthålla rengöringsprestandan måste du regelbundet ta bort filtret och slå den mot sokkorgens sida för att ta bort dammet. Filtren ska tvättas var 5:e gång du tömmer behållaren eller när filtren blir för dammiga.

**VIKTIGT:** Filtren måste rengöras regelbundet på alla påslösa dammsugare. Om filtren inte rengörs kan detta leda till att luften blockeras, överhettning och produktfel. Dessutom kan garantin upphöra att gälla.

**VIKTIGT:** Kontrollera och underhåll filtren regelbundet.

**VIKTIGT:** Se alltid till att filtersatsen är helt torr innan du använder den.

#### Så här kommer du åt filtret:

1. Tryck på frigörningsknappen till dammbehållarens lock och ta loss dammbehållaren från dammsugaren. [10]
2. Håll dammbehållaren med en hand och tryck på frigörningsknappen med den andra för att öppna behållarens lock. [11]
3. Ta bort förmotorfiltret i behållarens lock. [14]
4. Knacka försiktigt på förmotorfiltret och tvätta det. Använd inte hett vatten eller rengöringsmedel. Ta bort överflödigt vatten från filtret och låt det torka helt innan du använder det igen. [17,18]
5. Sätt tillbaka förmotorfiltret i dammbehållarens lock när det har torkat helt och fäst det sedan på dammsugaren.

**VIKTIGT:** Använd inte produkten utan filtersatsen.

#### Så här kommer du åt utblåsningsfiltret:

1. Lossa utblåsningsfiltrets lucka genom att trycka på två knappar och dra utåt från dammsugaren. [15]
2. Ta ur filtersatsen från fördjupningen genom att dra i utblåsningsfiltrets ringhandtag. [16]
3. Knacka försiktigt på och tvätta filterenheten. Använd inte hett vatten eller rengöringsmedel. Avlägsna överflödigt vatten från filtret och lämna det för att torka innan du återanvänder det. [17,18]
4. Återmontera filtersatsen när den är helt torr och sätt tillbaka i dammsugaren. Tryck in

tills det tar stopp. [16]

5. Fäst utblåsfiltrets lock genom att trycka på sidorna som har clips. Du hör ett klick när locket sitter på plats. [15]

**VIKTIGT:** Använd inte produkten utan filtersatsen.

#### Rengöring av dammbehållaren/separationsenheten

Den här dammsugaren använder ett separationssystem som är unikt för Hoover. Om det är nödvändigt kan separationsenheten monteras bort från dammbehållaren och rengöras.

1. Tryck på frigörningsknappen till dammbehållarens lock och ta loss dammbehållaren från dammsugaren. [10]
2. Håll dammbehållaren med en hand och tryck på frigörningsknappen med den andra handen för att öppna dammbehållarens lock. [11]
3. Ta bort Vortex findern (röd) från cyklonkroppen. [12]
4. Ta bort cyklonkroppen från dammbehållaren. [13]
5. Om så krävs kan du använda en trasa för att ta bort överblivet damm från den röda vortex findern och cyklonkroppens yta.
6. Placera dammbehållaren under vattenkranen. [17] Skölj med ljummet vatten. Tvätta insidan av behållaren med enbart vatten. ANVÄND INTE tvålbaserade rengöringsmedel för att tvätta behållarens insida.
7. Återmontera den interna delen i dammbehållaren och se till att alla delar är torra.
8. Stäng dammbehållarens lock och sätt tillbaka dammbehållaren på dammsugaren.

#### Åtgärda stopp

1. Kontrollera om dammbehållaren är full. Gå i så fall till "Tömma dammbehållaren".
2. Om dammbehållaren är tom, men suget är ändå lågt:
  - A. Behöver filtren rengöras? Gå i så fall till avsnittet "Rengöra de tvättbara filtren".
  - B. Kontrollera om det är något annat stopp i systemet. - Använd en stång eller liknande för att ta bort det som eventuellt blockerar teleskoppröret eller den böjliga slangen.
  - C. Kontrollera att förmotorfiltret sitter på plats.
  - D. Kontrollera om separationsenheten behöver rengöras. Se "Rengöra separationsenheten".

## CHECKLISTA FÖR ANVÄNDAREN

Om du får problem med produkten fyller du i den här enkla kontrollistan innan du ringer till den lokala Hoover-servicerepresentanten.

- Har dammsugaren tillgång till fungerande strömförsörjning? Kontrollera genom att koppla in en annan eldriven apparat.
- Är dammbehållaren överfylld? Se "Underhåll av dammsugaren".
- Är filtret igensatt? Se "Underhåll av dammsugaren".
- Är slangen eller munstycket igensatt? Se "Ta bort ett stopp i systemet".
- Är dammsugaren överhettad? Om så är fallet tar det cirka 30 minuter för en automatisk återställning.

## VIKTIG INFORMATION

### Reserv- och förbrukningsdelar från Hoover

Använd alltid originaldelar från Hoover vid byte. Du kan beställa delar från närmaste Hoover-återförsäljare eller direkt från Hoover. Uppge alltid modellnummer när du beställer delar.

### Hoover-service

Kontakta ditt närmaste Hoover-servicekontor om du behöver service.

### Kvalitet

BSI ISO 9001: Hoovers fabriker har kvalitetsbedömts av oberoende organisationer. Våra produkter tillverkas enligt ett kvalitetssystem som uppfyller kraven för ISO 9001.

### Garanti

Garantivillkoren för produkten definieras av vår representant i det land där produkten säljs. Du kan få uppgifter om aktuella villkor från återförsäljaren. Kvittot måste visas upp när man kräver ersättning enligt garantin.

Specifikationerna kan ändras utan föregående meddelande.

## OHJEET TURVALLISTA KÄYTTÖÄ VARTEN

Tämä laite on tarkoitettu ainoastaan kotikäyttöön tämän käyttöoppaan kuvaamalla tavalla. Tutustu tähän käyttöoppaaseen huolellisesti ennen laitteen käyttöä.

Älä jätä laitetta kytketyksi virtaan. Kytke laitteesta virta ja irrota virtajohto virtalähteestä aina käytön jälkeen ja ennen kuin puhdistat laitteen tai teet huoltotoimenpiteitä.

Tätä laitetta voivat käyttää yli 8-vuotiaat lapset ja henkilöt joilla on vähentynyt fyysinen, aistillinen tai henkinen kyky tai joilla ei kokemusta tai tietoja, mikäli heille on annettu ohjausta ja valvontaa koskien laitteen turvallista käyttöä ja ymmärtävät käyttöön liittyvät vaaratekijät. Lapset eivät saa leikkiä laitteella. Käyttäjän suorittamaa puhdistusta ja huoltoa ei tule suorittaa lasten toimesta ilman valvontaa.

Lopeta laitteen käyttö välittömästi, jos virtajohto on vahingoittunut. Turvallisuusriskin välttämiseksi valtuutetun Hoover-huoltoliikkeen tulee vaihtaa virtajohto.

Pidä kädet, jalat, löysät vaatteet ja hiukset loitolla pyörivistä harjoista.

Käytä ainoastaan Hooverin toimittamia tai suosittelemia kiinnityskappaleita, lisävarusteita tai varaosia.

**Staattinen sähkö:** Joihinkin mattoihin voi kertyä staattista sähköä. Staattisen sähköön purkaus ei ole vaarallista terveydelle.

Älä käytä laitettasi ulkona tai märällä alustalla. Älä imuroi nesteitä.

Älä imuroi kovia tai teräviä esineitä, tulitikkuja, kuumaa tuhkaa, tupakantumppeja tai muita vastaavia esineitä.

Älä ruiskuta laitteelle tai imuroi laitteella syttyviä nesteitä, puhdistusnesteitä, aerosoleja tai näiden höyryjä.

Älä aja laitteella verkkojohdon yli tai irrota pistoketta virtalähteestä johdosta vetämällä.

Älä käytä laitetta, jos se vaikuttaa vialliselta.

**HOOVER-huolto** Laitteen käyttöturvallisuuden ja tehokkaan toiminnan varmistamiseksi huolto ja korjaukset kannattaa antaa valtuutetun Hoover-huoltoliikkeen tehtäväksi.

Älä seiso johdon päällä tai kierrä sitä käsien tai jalkojen ympärille laitetta käyttäessäsi.

Älä käytä laitetta ihmisten tai eläinten puhdistamiseen.

Älä aseta laitetta yläpuolellesi, kun imuroit portaita.

### Ympäristö

Tässä laitteessa oleva symboli osoittaa, että laitetta ei saa hävittää kotitalousjätteenä. Se täytyy luovuttaa sähkö- ja elektroniikkalaitteiden keräyspisteeseen kierrätystä varten. Hävittäminen on suoritettava paikallisten jätteiden hävittämistä koskevien ympäristösäännösten mukaisesti. Saat lisätietoja tämän laitteen käsitlemisestä, hyötykäytöstä ja kierrätyksestä paikallisilta viranomaisilta, kotitalouksien ja muiden jätteiden jätehuollosta tai liikkeestä, josta ostit laitteen.



**CE** Tämä laite on EU:n direktiivien 2014/35/EU, 2014/30/EU ja 2011/65/EU mukainen.

CANDY HOOVER GROUP S.r.l. Via Privata Eden Fumagalli, 20861 Brugherio (MB) Italy

## LAITTEeseen TUTUSTUMINEN

- |  |  |
|--|--|
| A. Pölysäiliön asennus                   | Qb. Teleskooppiputken säädin**                             |
| B. Imurin runko                          | R. Matto- ja lattiasuulakkeen salpa*                       |
| C. Virtapainike                          | S. Matto- ja lattiasuulake (GP)**                          |
| D. Putken säilytysura                    | S1. Mattosuulake (CA)**                                    |
| E. Pölysäiliön vapautuspainike           | S2. Lauta-, parketti- tai laminaattilattian suulake (HF)** |
| F. Johdonkeräyspoljin                    | T. Matto- ja lattiasuulakkeen liukusäädin*                 |
| G. Pölysäiliö                            | U. Lattiatyyppin valitsin*                                 |
| H. Pyörrepuhdistimen runko               | V. Moottorin edessä oleva suodatin                         |
| I. Pyörresuunnin ( Metallinen punainen ) | W. Poistoilmansuodatin                                     |
| J. Pölysäiliön kansi                     | X1. Pölyharja**  |
| K. Pölysäiliön läpän vapautusliipaisin   | X2. Rakosuulake*   |
| L. Pölysäiliön kannen vapautuspainike    | X3. Tekstiilisuutin*                                       |
| M. Letku                                 | Y. Miniturbosuulake eläintenkarvojen imurointiin*          |
| N. Kahva**                               | Z. Miniturbosuulake allergeenien poistoon*                 |
| O. Imutehon säädin*                      | AA. Parkettisuulake*                                       |
| P. Lisätarvikkeen kiinnitin*             |  |
| Q. Teleskooppiputki**                    |  |
| Qa. Teleskooppiputken salpa*             |  |

## LAITTEEN KOKOAMINEN

Pura kaikki osat pakkauksesta.

- Liitä letku imurin runkoon ja varmista, että se naksahaa ja lukittuu paikalleen. Irrotus: paina letkun päässä olevaa painiketta ja vedä. [1]
- Liitä letkun kahva jatkoputken yläosan päähän [2a], tai tarvittaessa lisävarusteet. [2b]
- Liitä jatkoputken alapää matto- ja lattiasuulakkeeseen\*\* [3a] tai tarvittaessa lisävarusteeseen. [3b]
- Puhdistuksen lisävälineitä\* voi säilyttää käytön jälkeen jatkoputken alapuolella, varusteena olevassa lisävarustepidikkeessä\*.

## LAITTEEN KÄYTTÖ

- Vedä verkkojohto esiin ja kytke pistoke virtalähteeseen. Vedä johto ulos enintään punaiseen merkkiin asti. [4]
- Säädä jatkoputki\*\* sopivalle korkeudelle siirtämällä jatkoputken säädintä\*\* ylös ja ja nosta tai laske se mukavimpaan siivousasentoon. [5]
- Kun teleskooppiputken alapää on liitetty matto- ja lattiasuulakkeeseen\*\*, paina suulakkeessa olevaa lattiatyyppin valitsinpainiketta\* lattiatyyppille sopivimman puhdistustavan valitsemiseksi:

**Kova lattia:** – Harjakset ovat alhaalla lattian suojaamiseksi.

**Matto:** – Harjat nostetaan ylös tarkempaa puhdistusta varten.

## Matto- ja lattiasuutin\*\*: [6]

- **Kovan lattian puhdistus:** Paina suulakkeessa oleva poljin Kova lattia -tilaan ja säädä suulakkeessa oleva liukukytkin tilaan KAIKKI LATTIAT. Tässä asennossa harjat, pyörät ja pyyhkijäsulka ovat alhaalla kovan lattian suojaamiseksi. [6a]

- **Tavallinen maton & pitkähupsullisen maton puhdistus:** Paina suulakkeessa oleva poljin matto-tilaan ja säädä suulakkeessa oleva liukukytkin asentoon KAIKKI LATTIAT. Tässä asennossa harjat ja pyyhkijäsulka on nostettu ylös, kun taas pyörät on laskettu niin, että liikkuminen tällaisilla pinnoilla on helppoa. [6b]

- **Mattojen syväpuhdistus:** Paina suulakkeessa oleva poljin matto-tilaan ja säädä suulakkeessa oleva liukukytkin asentoon MATTOJEN SYVÄPUHDISTUS. Tässä asennossa harjat, pyörät ja pyyhkijäsulka on nostettu ylös maton syvempää puhdistusta varten. [6c]

**VAROITUS:** Puulattioiden mahdollisen naarmuuntumisen välttämiseksi poljinta ei tule asettaa kova lattia -tilaan, ja liukukytkimen tulee olla maton syväpuhdistuksen asennossa.

- Käynnistä imuri painamalla rungon käynnistyspoljinta. [7]
- Säädä imutehoa liu'uttamalla imutehon säädin\* halutulle tasolle. [8]
- Sammuta käytön päätyttyä painamalla käynnistys/sammutuspoljinta. Irrota pistoke virtalähteestä ja kela virtajohto takaisin imuriin johdon kelauspoljinta [F] painamalla.

## Säilytys ja varastointi -osio

- Teleskooppiputki voidaan asettaa säilytysasentoon käytön aikana tai kun sitä ei käytetä. [9]

## LISÄVARUSTEET

Parhaan suorituskyvyn ja atehokkuuden saavuttamiseksi on suositeltavaa käyttää oikeanlaisia suulakkeita. Kaavioissa näihin suulakkeisiin viitataan kirjainyhdistelmillä GP, HF ja CA.

Suulaketyyppi GP soveltuu sekä mattojen että kovan lattian puhdistukseen.

Suulaketyyppi HF soveltuu ainoastaan kovan lattian puhdistukseen.

Suulaketyyppi CA soveltuu ainoastaan mattojen puhdistukseen.

Muut suulakkeet ovat lisävarusteita erityisiä puhdistustoimenpiteitä varten ja niitä suositellaan käytettävän vain satunnaisesti.

Rakosuutinta\*, huonekalusuutinta\* ja pölytysharjaa\*\* säilytetään teleskooppiputkessa kätevässä lisävarustepidikkeessä. Ne voidaan asentaa kahvaan tai teleskooppiputken päähän.

Joissain malleissa pölytysharja on kiinnitetty perinteisesti letkun kahvaan.

**Pölyharja\*\***– Kirjahyllyjä, kehyksiä, näppäimistöjä ja muita kevyttä imutehoa vaativia paikkoja varten. [X1]

**Rakosuulake\*** – Nurkkia ja vaikeapääsyisiä kohteita varten. [X2]

**Tekstiilisuulake\*** – Pehmeäpintaisten huonekalujen ja kankaiden imurointiin. [X3]

**Parkettisuulake\*** – Parketin ja muiden arkojen lattiapintojen imurointiin. [AA]

**Miniturbosuulake eläintenkarvojen imurointiin\*** - Pienellä miniturbosuulakkeella voit imuroida portaita tai syväpuhdistaa tekstiilipintoja ja muita vaikeasti puhdistettavia paikkoja.

Sopii erityisesti eläinkarvojen poistamiseen. [Y]

**Miniturbosuulake allergeenien poistoon\*** – Pienellä miniturbosuulakkeella voit imuroida portaita tai syväpuhdistaa tekstiilipintoja ja muita vaikeasti puhdistettavia paikkoja. Sopii erityisesti allergiaa aiheuttavien kohteiden imurointiin. [Z]

**TÄRKEÄÄ:** Älä käytä mini turbosuulaketta imuroidessasi pitkähapsullisia mattoja, eläinten taljoja tai mattoja, joiden nukan pituus on yli 15 mm. Älä pidä suulaketta paikoillaan yhdessä kohdassa harjan pyöriessä.

## LAITTEEN KUNNOSSAPITO

### Pölysäiliön tyhjennys

Tyhjennä pölysäiliö, kun pölymäärämittari osoittaa säiliön olevan täynnä.

**TÄRKEÄÄ:** Älä imuroi enää sen jälkeen, kun mittari osoittaa säiliön olevan täynnä.

1. Sammuta puhdistin pääkytkimestä ja irrota virtajohto.
2. Paina pölykasetin kannen vapautuspainiketta ja poista pölysäiliö imurista. [10]
3. Pitele pölysäiliötä toisella kädellä ja paina pölysäiliön läpän vapautusliipaisinta. [13]
4. Sulje pölysäiliön läppä ja aseta se takaisin imurin runkoon. [10]

### Pestävien suodattimien puhdistus

Imurissa on moottorin edessä suodatin ja poistosuodatin. Jotta imurin suorituskyky säilyy hyvänä, irrota suodattimet säännöllisesti ja kopauta niitä roskasäiliön reunaan pölyn irrottamiseksi. Pese suodattimet pölykasetin viiden tyhjennyskerran välein tai kun suodattimeen on kertynyt liikaa pölyä.

**TÄRKEÄÄ:** Kaikkien pölypussittomien imurien suodattimet on puhdistettava säännöllisesti. Jos suodattimia ei puhdisteta, ilman virtaus voi tukkeutua, imuri ylikuumeta ja rikkoutua. Myös takuu voi mitätöityä.

**TÄRKEÄÄ:** Tarkista suodatinten kunto säännöllisesti ja huolla tarvittaessa.

**TÄRKEÄÄ:** Varmista ennen imurointia, että suodatinpakkaus on täysin kuiva.

### Suodattimen puhdistus:

1. Paina pölykasetin kannen vapautuspainiketta ja poista pölysäiliö imurista. [10]
2. Pitele pölysäiliötä toisella kädellä ja paina toisella pölysäiliön kannen vapautuspainiketta säiliön kannen avaamiseksi. [11]
3. Irrota säiliön kannessa sijaitseva moottorin esisuodatin. [14]
4. Napauta kevyesti moottorin edessä olevaa suodatinta ja pese se. Älä käytä kuumaa vettä tai pesuaineita. Poista suodattimesta liika vesi ja anna kuivua kokonaan, ennen kuin asennat sen takaisin. [17,18]

\*Vain joissakin malleissa \*\* Voi vaihdella mallista riippuen

5. Kokoa täysin kuivunut moottorin suodatin uudelleen pölysäiliön kanteen ja asenna takaisin puhdistimeen.

**TÄRKEÄÄ:** Älä käytä imuria ilman suodatinpakkausta.

### Poistoilmansuodattimen puhdistus:

1. Vapauta poistoilmansuodattimen luukku painamalla kahta nappia ja vetämällä se ulos imurin rungosta. [15]
2. Irrota suodatinpakkaus syvennyksestä vetämällä poistosuodattimen vetorenkaasta. [16]
3. Kopauta varoen suodatinyksikköä ja pese se. Älä käytä kuumaa vettä tai pesuaineita. Poista suodattimesta ylimääräinen vesi ja anna sen kuivua kokonaan ennen käyttöä. [17,18]
4. Kokoa täysin kuivunut suodatinpakkaus ja asenna se takaisin puhdistimeen laittamalla se takaisin sille tarkoitettuun kohtaan ja painamalla se kokonaan paikoilleen. [16]
5. Lukitse poistoilmansuodattimen suojuksen painamalla reunaa, jossa on kiinnikkeet. Kuulet napsahduksen, kun poistoilmansuodattimen luukku on asettunut paikalleen. [15]

**TÄRKEÄÄ:** Älä käytä imuria ilman suodatinpakkausta.

### Pölysäiliön / Erotusyksikön puhdistaminen

Tässä imurissa on ainutlaatuinen Hoover-erottelujärjestelmä. Erotusyksikkö voidaan tarvittaessa irrottaa pölysäiliöstä puhdistusta varten.

1. Paina pölykasetin kannen vapautuspainiketta ja poista pölysäiliö imurista. [10]
2. Pitele pölysäiliötä toisella kädellä ja paina toisella pölysäiliön kannen vapautuspainiketta pölysäiliön kannen avaamiseksi. [11]
3. Irrota pyörresuunnin (punainen) pyörrepuhdistimen rungosta. [12]
4. Irrota pyörrepuhdistimen runko pölysäiliöstä. [13]
5. Poista tarvittaessa liiallinen pöly rätiltä punaisesta pyörresuunnin rungosta ja pyörrepuhdistimen rungosta pinnalta.
6. Aseta pölysäiliö hanan alle. [17] Huuhtelee kädenlämpöisellä vedellä. Pese säiliön sisäpinnat pelkällä vedellä. Säiliön sisäpintoja EI SAA pestä saippualluoksilla.
7. Asenna sisäkomponentti takaisin pölysäiliöön. Varmista, että kaikki osat ovat kuivia.
8. Sulje pölysäiliön kansi ja aseta pölysäiliö takaisin puhdistimeen.

### Tukoksen poistaminen

1. Tarkista, onko pölysäiliö täynnä. Tyhjennä se tarvittaessa kohdan "Pölysäiliön tyhjennys" ohjeiden mukaan.
2. Jos pölysäiliö on tyhjä, mutta imuteho on silti heikko:
  - A. Ovatko suodattimet puhdistuksen tarpeessa? Jos ovat, katso lisätietoja kohdasta "Pestävien suodattimien puhdistus".
  - B. Tarkasta, onko laitteessa muuta tukosta. - Poista tukos jatkoputkesta tai letkusta kepin tms. avulla.
  - C. Tarkasta, onko imuriin asennettu esisuodatin.
  - D. Tarkasta, tarvitseeko erotusosa puhdistusta. Katso lisätietoja kohdasta "Erotusosan puhdistus".



## VIANMÄÄRITYSLISTA

Jos laitteen käytössä ilmenee ongelmia, käy läpi nämä vianmäärittämissuositukset ennen kuin otat yhteyttä paikalliseen Hoover-huoltoon.

- Toimiiko virtalähde? Tarkista tämä toisella sähkölaitteella.
- Onko pölysäiliö täytynyt äärimmilleen? Katso lisätietoja kohdasta "Laitteen huolto".
- Onko suodatin tukossa? Katso lisätietoja kohdasta "Laitteen huolto".
- Onko letku tai suulake tukossa? Katso lisätietoja kohdasta "Tukoksen poistaminen".
- Onko imuri ylikuumentunut? Jäähtyminen kestää noin 30 minuuttia.

## TÄRKEÄÄ TIETOA

### Hoover-varaosat ja tarvikkeet

Käytä vain alkuperäisiä Hoover-varaosia. Niitä on saatavana paikalliselta Hoover-jälleenmyyjältä tai valtuutetusta huoltoliikkeestä. Mainitse varaosatilauksen yhteydessä laitteen tyyppinumero.

### Hoover-huolto

Ota huoltoon liittyvissä asioissa yhteyttä paikalliseen Hoover-huoltoon.

### Laatu

BSI ISO 9001: Hooverin tehtaat on arvioitu laadun suhteen riippumattoman tahon toimesta. Tuotantoprosessimme täyttävät ISO 9001 -laatujärjestelmän vaatimukset.

### Takuu

Tämän laitteen takuehdot määrittelee ostamaan Hoover-edustaja. Yksityiskohtaiset tiedot näistä ehdoista saa laitteen myyneeltä jälleenmyyjältä. Tämän takuun mukaisia vaateita esitettäessä on esitettävä myyntitodistus tai ostokuitti. Oikeus muutoksiin pidätetään.

## ΟΔΗΓΙΕΣ ΑΣΦΑΛΟΥΣ ΧΡΗΣΗΣ

Η συσκευή πρέπει να χρησιμοποιείται αποκλειστικά για οικιακή χρήση, σύμφωνα με τις οδηγίες χρήσης. Πριν δοκιμάσετε να χρησιμοποιήσετε τη συσκευή, βεβαιωθείτε ότι έχετε κατανοήσει τις οδηγίες που περιέχει το βιβλίο που κρατάτε στα χέρια σας.

Μην αφήνετε τη συσκευή συνδεδεμένη στην πρίζα. Πριν τον καθαρισμό της συσκευής ή οποιασδήποτε εργασία συντήρησης, πρέπει να απενεργοποιείτε τη συσκευή και να την αποσυνδέετε από την πρίζα.

Η χρήση της συσκευής από παιδιά άνω των 8 ετών, ηλικιωμένους και ΑΜΕΑ προϋποθέτει την παρουσία ενήλικα που θα φέρει την ευθύνη για την ασφαλεία τους. Η χρήση της συσκευής από άτομα που δεν έχουν εξοικειωθεί στη χρήση παρόμοιων συσκευών μπορεί να γίνει μόνο αφού γίνει κατανοητός ο κίνδυνος που ενέχει η χρήση της συσκευής. Μην αφήνετε τα παιδιά να παίζουν με τη συσκευή. Οι εργασίες καθαρισμού και συντήρησης της συσκευής δεν πρέπει να γίνονται από τα παιδιά χωρίς την επίβλεψη ενήλικα που θα φέρει την ευθύνη για την ασφαλεία τους.

Εάν το καλώδιο σύνδεσης με το δίκτυο παροχής εμφανίσει φθορές διακόψτε την λειτουργία της συσκευής αμέσως. Για λόγους ασφάλειας η αντικατάσταση του καλωδίου πρέπει να γίνει αποκλειστικά από εξουσιοδοτημένο προς τούτο τεχνικό HOOVER.

Μην πλησιάζετε τις περιστρεφόμενες βούρτσες με τα χέρια, τα πόδια, τα μαλιά ή τα ρούχα σας.

Χρησιμοποιείτε αποκλειστικά γνήσια εξαρτήματα, ανταλλακτικά και αναλώσιμα HOOVER.

**Στατικός ηλεκτρισμός:** Ορισμένα χαλιά μπορεί να προκαλέσουν μικρή συσσώρευση στατικού ηλεκτρισμού. Τυχόν στατικές εκκενώσεις δεν είναι επικίνδυνες για την υγεία.

Μην χρησιμοποιείτε τη συσκευή σας σε εξωτερικούς χώρους, σε υγρή επιφάνεια ή για τη συλλογή υγρών.

Μην συλλέγετε με τη συσκευή σκληρά ή αιχμηρά αντικείμενα, καυτή στάχτη, αποσίγαρα ή άλλα παρόμοια αντικείμενα.

Μην ψεκάσετε ή συλλέγετε εύφλεκτα υγρά, υγρά καθαρισμού, αερολύματα ή τους ατμούς τους.

Ενώσω χρησιμοποιείτε τη συσκευή δεν πρέπει να πατάτε επάνω στο καλώδιο, μην τραβάτε το καλώδιο για να αποσυνδέσετε τη συσκευή από την παροχή.

Εάν η συσκευή εμφανίσει κάποια βλάβη μην συνεχίσετε να την χρησιμοποιείτε.

**Τεχνική Υποστήριξη Hoover :** Για την διατήρηση της ασφαλούς και αποτελεσματικής λειτουργίας της συσκευής οι επεμβάσεις συντήρησης και αποκατάστασης βλαβών πρέπει να γίνονται αποκλειστικά μέσω των εξουσιοδοτημένων τεχνικών HOOVER..

Μην στέκεστε πάνω στο καλώδιο και μην το περιτυλίγετε γύρω από τα χέρια ή τα πόδια σας ενώσω η συσκευή βρίσκεται σε λειτουργία.

Μην χρησιμοποιείτε τη συσκευή για να καθαρίζετε ζώα ή άτομα.

Μην τοποθετείτε πάνω σας τη συσκευή όταν καθαρίζετε τις σκάλες.

#### Περιβάλλον

Το σύμβολο πάνω σε αυτή τη συσκευή υποδεικνύει ότι αυτή η συσκευή δεν μπορεί να αντιμετωπιστεί σαν κοινό οικιακό απόρριμα. Αντίθετα, πρέπει να παραδοθεί στο πλησιέστερο κέντρο συλλογής για την ανακύκλωση ηλεκτρικού και ηλεκτρονικού εξοπλισμού. Η απόρριψη της συσκευής πρέπει να γίνει σύμφωνα με την ισχύουσα κατά τόπο νομοθεσία για την απόρριψη ηλεκτρονικών και ηλεκτρικών αποβλήτων. Για πιο λεπτομερείς πληροφορίες σχετικά με την επεξεργασία, την ανάκτηση και την ανακύκλωση αυτής της συσκευής, επικοινωνήστε με την κατά τόπους αρμόδια αρχή, την υπηρεσία αποκομιδής οικιακών απορριμμάτων ή το κατάστημα από το οποίο αγοράσατε τη συσκευή.



**CE** Αυτή η συσκευή συμμορφώνεται με τις Ευρωπαϊκές Οδηγίες 2014/35/EE, 2014/30/EE και 2011/65/EE.

CANDY HOOVER GROUP S.r.l. Via Privata Eden Fumagalli, 20861 Brugherio (MB) Italy

#### ΕΞΟΙΚΕΙΩΣΗ ΜΕ ΤΗ ΣΚΟΥΠΑ

- |  |   |
|--|---|
| A. Συγκρότημα δοχείου σκόνης                     | P. Βάση συγκράτησης αξεσουάρ*                                 |
| B. Κυρίως σώμα καθαριστή                         | Q. Τηλεσκοπικός σωλήνας**                                     |
| C. Πεντάλ (On/Off)                               | Qa. Ασφάλεια τηλεσκοπικού σωλήνα*                             |
| D. Εγκοπή στάθμευσης                             | Qb. Μηχανισμός ρύθμισης τηλεσκοπικού σωλήνα**                 |
| E. Κουμπί απασφάλισης δοχείου σκόνης             | R. Ασφάλεια ακροφυσίου χαλιών και δαπέδου**                   |
| F. Πεντάλ περιέλιξης καλωδίου                    | S. Ακροφύσιο χαλιών και δαπέδου (GP)**                        |
| G. Κάδος σκόνης                                  | S1. Ακροφύσιο χαλιών (CA)**                                   |
| H. Σώμα κυκλώνα                                  | S2. Ακροφύσιο (στόμιο) για σκληρά δάπεδα (HF)**               |
| I. Ανιχνευτής στροβίλου (Κόκκινο μεταλλικό)      | T. Πέλμα ακροφυσίου χαλιών και δαπέδου*                       |
| J. Καπάκι δοχείου σκόνης                         | U. Επιλογέας τύπου δαπέδου*                                   |
| K. Σκανδάλη απασφάλισης πτερυγίου δοχείου σκόνης | V. Φίλτρο πριν το μοτέρ                                       |
| L. Κουμπί απασφάλισης καπακιού δοχείου σκόνης    | W. Φίλτρο απαγωγής  |
| M. Εύκαμπτος σωλήνας                             | X1. Βούρτσα ξεσκονίσματος**                                   |
| N. Λαβή εύκαμπτου σωλήνα**                       | X2. Ρύγχος καθαρισμού*  |
| O. Ρυθμιστής αναρρόφησης*                        | X3. Ακροφύσιο επίπλων*  |
|  | Y. Πέλμα Mini Turbo για τρίχες κατοικίδιων*                   |
|  | Z. Πέλμα Mini Turbo για την απομάκρυνση αλλεργιογόνων ουσιών* |
|  | AA. Πέλμα παρκέ*  |

#### ΣΥΝΑΡΜΟΛΟΓΗΣΗ ΤΟΥ ΚΑΘΑΡΙΣΤΗ

Αφαιρέστε όλα τα εξαρτήματα από τη συσκευασία.

1. Συνδέστε τον εύκαμπτο σωλήνα στο κυρίως σώμα της σκούπας, διασφαλίζοντας ότι έχει κουμπώσει και ασφαλίσει στη σωστή θέση. Για να τον απασφαλίσετε: απλώστε πατήστε το κουμπί στο άκρο του εύκαμπτου σωλήνα και τραβήξτε. [1]
2. Συνδέστε τη λαβή του εύκαμπτου σωλήνα στο άκρο του σωλήνα επέκτασης άνω [2a], ή των αξεσουάρ αν χρειάζεται. [2b]
3. Συνδέστε το κάτω άκρο σωλήνα επέκτασης στο ακροφύσιο χαλιών και δαπέδου\*\* [3a] ή των αξεσουάρ αν χρειάζεται. [3b]
4. Τα βοηθητικά εργαλεία καθαρισμού\* μπορούν να αποθηκευτούν μετά τη χρήση στην κάτω πλευρά του σωλήνα επέκτασης, χρησιμοποιώντας τη θήκη αξεσουάρ που παρέχεται\*.

#### ΟΔΗΓΙΕΣ ΧΡΗΣΕΩΣ

1. Ξετυλίξτε το καλώδιο ρεύματος και συνδέστε το σε μια πρίζα. Μην τραβάτε το καλώδιο πέραν της κόκκινης σήμανσης. [4]
2. Ρυθμίστε το μήκος του σωλήνα επέκτασης\* στο επιθυμητό ύψος μετακινώντας την πάνω κάτω τον ρυθμιστή του σωλήνα επέκτασης\*\* μέχρι να διαμορφώσετε το πιο άνετο για τον καθαρισμό μήκος [5]
3. Αφού συνδέσετε το κάτω άκρο του τηλεσκοπικού σωλήνα στο ακροφύσιο χαλιών και δαπέδου\*\*, πατήστε το πεντάλ επιλογής τύπου δαπέδου\* στο ακροφύσιο για να επιλέξετε τον ιδανικό τρόπο καθαρισμού για τον τύπο δαπέδου:  
**Σκληρά δάπεδα** – Οι βούρτσες χαμηλώνουν στο ανάλογο επίπεδο για να μην φθείρουν το δάπεδο.  
**Χαλί** – Οι βούρτσες ανασκάνονται για βαθύτερο καθαρισμό.

#### Πέλμα Δαπέδων & Χαλιών\*\* : [6]

\*Μόνο ορισμένα μοντέλα \*\* Ενδέχεται να διαφέρει ανάλογα με το μοντέλο

- **Καθαρισμός σκληρών δαπέδων:** Πατήστε το πεντάλ\* στο ακροφύσιο στη λειτουργία σκληρών δαπέδων και ρυθμίστε το ακροφύσιο στην επιλογή ΟΛΑ ΤΑ ΔΑΠΕΔΑ. Σε αυτή τη θέση οι βούρτσες, οι τροχοί και η λεπίδα καθαρισμού κατεβαίνουν για την προστασία των σκληρών δαπέδων. [6a]

- **Κανονικός καθαρισμός χαλιών & μοκετών:** Πατήστε το πεντάλ\* στο ακροφύσιο στη λειτουργία χαλιών και ρυθμίστε το ακροφύσιο στην επιλογή ΟΛΑ ΤΑ ΔΑΠΕΔΑ. Σε αυτή τη θέση οι βούρτσες, οι τροχοί και η λεπίδα καθαρισμού κατεβαίνουν για ευκολία κίνησης σε αυτές τις επιφάνειες. [6b]

- **Βαθύς καθαρισμός χαλιών:** Πατήστε το πεντάλ στο ακροφύσιο στη λειτουργία χαλιών και ρυθμίστε το ακροφύσιο στην επιλογή ΒΑΘΥΣ ΚΑΘΑΡΙΣΜΟΣ ΧΑΛΙΩΝ. Σε αυτή τη θέση οι βούρτσες, οι τροχοί και η λεπίδα καθαρισμού ανεβαίνουν για βαθύτερο καθαρισμό του χαλιού σας. [6c]

**ΠΡΟΣΟΧΗ :** Συνιστάται για να αποφύγετε πιθανότητα γδαρσίματος των ξύλινων δαπέδων το πεντάλ να μην έχει ρυθμιστεί στη λειτουργία σκληρού δαπέδου και το πέλμα στον βαθύ καθαρισμό χαλιών.

4. Ενεργοποιήστε τη σκούπα πατώντας το πεντάλ on/off στον κύριο σώμα της σκούπας. [7]
5. Ρυθμίστε την αναρρόφηση σύροντας τον ρυθμιστή αναρρόφησης\* στο επιθυμητό επίπεδο. [8]
6. Πατείστε το πεντάλ on/off για να απενεργοποιήσετε τη συσκευή μετά το πέρας του καθαρισμού. Βγάλτε από την πρίζα και πατήστε το πεντάλ [F] τυλίγματος καλωδίου για να τυλιχτεί πάλι το καλώδιο ρεύματος μέσα στη σκούπα.

#### Αποθεση και αποθήκευση συσκευής

7. Ο σωλήνας μπορεί να στερεωθεί στο πίσω μέρος μέρος της σκούπας για αποθήκευση ή προσωρινά κατά τη διάρκεια της λειτουργίας της συσκευής. [9]

## ΕΞΑΡΤΗΜΑΤΑ

Για να πετύχετε τις καλύτερες επιδόσεις και απόδοση συνιστάται να χρησιμοποιείτε τα σωστά ακροφύσια για τις βασικές εργασίες καθαρισμού. Αυτά τα πέλματα απεικονίζονται στα σχέδια με τα γράμματα **GP**, **HF** ή **CA**.

Το πέλμα τύπου **GP** μπορεί να χρησιμοποιηθεί τόσο για τον καθαρισμό χαλιών όσο και πατωμάτων.

Το πέλμα τύπου **HF** είναι κατάλληλο για χρήση μόνο σε σκληρά δάπεδα.

Το ακροφύσιο τύπου **CA** είναι κατάλληλο για χρήση μόνο σε χαλιά

Τα υπόλοιπα ακροφύσια προορίζονται για ειδικές εργασίες καθαρισμού και πρέπει να χρησιμοποιούνται μόνο για το συγκεκριμένο σκοπό.

Το εργαλείο σχισμών\*, το ακροφύσιο επίπλων\* και η βούρτσα ξεσκονίσματος\*\* είναι αποθηκευμένα στον τηλεσκοπικό σωλήνα μέσω μιας πρακτικής βάσης αξεσουάρ. Μπορούν να τοποθετηθούν στη λαβή ή στην άκρη του τηλεσκοπικού σωλήνα.

Σε ορισμένα μοντέλα η βούρτσα ξεσκονίσματος ενσωματώνεται βολικά στη λαβή του σωλήνα.

**Βούρτσα ξεσκονίσματος\*\***– Για ράφια, πλαίσια, πληκτρολόγια και άλλες ευαίσθητες περιοχές. [X1]

**Ρύγχος καθαρισμού\*** – Για γωνίες και δυσπρόσιτα σημεία. [X2]

**Εξάρτημα καθαρισμού επίπλων\*** – Για μαλακά έπιπλα και υφάσματα. [X3]

**Πέλμα παρκέ\*** – Για παρκέ και άλλα ευαίσθητα δάπεδα. [AA]

**Πέλμα Mini Turbo για τριχες κατοικίδιων\*** - Χρησιμοποιήστε το πέλμα μίνι τούρμπο για τις σκάλες ή για τον βαθύ καθαρισμό υφασμάτων επιφανειών και άλλων σημείων που καθαρίζονται δύσκολα. Ιδιαίτερα κατάλληλο για την απομάκρυνση τριχών κατοικίδιων. [Y]

**Πέλμα Mini Turbo για την απομάκρυνση αλλεργιογόνων ουσιών\*** – Χρησιμοποιήστε το πέλμα μίνι τούρμπο για τις σκάλες ή για τον βαθύ καθαρισμό υφασμάτων επιφανειών και άλλων σημείων που καθαρίζονται δύσκολα. Ιδιαίτερα κατάλληλο για την απομάκρυνση αλλεργιογόνων. [Z]

**ΕΠΙΣΗΜΑΝΣΗ :** Μη χρησιμοποιείτε τα πέλματα turbo και μίνι turbo σε χαλιά με μακριά κρόσσια, σε φλοκάτες και χαλιά με πέλος μεγαλύτερο των 15 χιλιοστών. Μην κρατάτε το ηλεκτρικό ακροφύσιο ακίνητο ενώ η βούρτσα περιστρέφεται.

## ΣΥΝΤΗΡΙΣΗ ΚΑΙ ΚΑΘΑΡΙΣΜΟΣ

### Αδειάστε το δοχείο σκόνης

Όταν η σκόνη φτάσει στην ανώτερη ένδειξη του δοχείου, αδειάστε το.

**ΕΠΙΣΗΜΑΝΣΗ :** Για βέλτιστη απόδοση μην αφήνετε τη σκόνη να υπερβεί τη μέγιστη ένδειξη.

1. Κλείστε τον καθαριστή από τον γενικό διακόπτη και βγάλτε το καλώδιο ρεύματος από τη πρίζα.
2. Πατήστε το κουμπί απελευθέρωσης του καπακιού του δοχείου σκόνης και αφαιρέστε το συγκρότημα του δοχείου σκόνης από τον καθαριστή. [10]
3. Κρατήστε το δοχείο σκόνης με το ένα χέρι και πατήστε τη σκανδάλη απασφάλισης του πτερυγίου του δοχείου σκόνης. [13]
4. Κλείστε το πτερύγιο του δοχείου σκόνης και τοποθετήστε ξανά στο κύριο σώμα του καθαριστή. [10]

### Καθαρισμός των πλενόμενων φίλτρων

Η σκούπα είναι εξοπλισμένη με ένα φίλτρο πριν το μοτέρ και ένα φίλτρο εξόδου. Για να διατηρήσετε τη βέλτιστη απόδοση καθαρισμού, πρέπει να αφαιρείτε τακτικά τα φίλτρα και να τα χτυπάτε στο πλάι του δοχείου απορριμάτων για να απομακρύνετε τη σκόνη. Τα φίλτρα πρέπει να πλένονται κάθε 5 αδειάσματα του δοχείου ή όταν το φίλτρο έχει υπερβολική σκόνη.

**ΕΠΙΣΗΜΑΝΣΗ :** Όλες οι σκούπες χωρίς σακούλα απαιτούν συχνό καθαρισμό του φίλτρου. Η αποτυχία καθαρισμού των φίλτρων μπορεί να έχει σαν αποτέλεσμα την εμπλοκή αέρα, την υπερθέρμανση και την αστοχία του προϊόντος. Αυτό μπορεί να καταστήσει άκυρη την εγγύησή σας.

**ΕΠΙΣΗΜΑΝΣΗ :** Ελέγχετε και συντηρείτε τακτικά τα φίλτρα.

**ΕΠΙΣΗΜΑΝΣΗ :** Πρέπει να διασφαλίζετε πάντα ότι το σύστημα των φίλτρων είναι απόλυτα στεγνό πριν από τη χρήση.

### Για να βρείτε το φίλτρο:

1. Πατήστε το κουμπί απελευθέρωσης του καπακιού του δοχείου σκόνης και αφαιρέστε το συγκρότημα του δοχείου σκόνης από τον καθαριστή. [10]
2. Κρατήστε το δοχείο σκόνης με το ένα χέρι και με το άλλο χέρι πατήστε το κουμπί απασφάλισης του καπακιού του δοχείου σκόνης για να ανοίξετε το καπάκι του δοχείου. [11]
3. Αφαιρέστε το φίλτρο πριν από το μοτέρ που βρίσκεται στο καπάκι του δοχείου. [14]
4. Τινάζτε απαλά και πλύνετε το φίλτρο πριν από το μοτέρ. Μη χρησιμοποιείτε καυτό νερό ή απορρυπαντικό. Απομακρύνετε τα υπολείμματα νερού από το φίλτρο και αφήστε το να στεγνώσει εντελώς πριν το ξαναχρησιμοποιήσετε. [17,18]
5. Επανασυναρμολογήστε το φίλτρο πριν από το μοτέρ στο καπάκι του δοχείου σκόνης αφού στεγνώσει τελείως και τοποθετήστε ξανά στον καθαριστή.

**ΕΠΙΣΗΜΑΝΣΗ :** Μη χρησιμοποιείτε το προϊόν εάν προηγουμένως δεν έχετε τοποθετήσει σωστά

το σύστημα φίλτρων.

#### Για πρόσβαση στο φίλτρο εξόδου:

1. Ξεκλειδώστε το φίλτρο εξόδου πατώντας τα δύο κουμπιά και τραβώντας έξω από τον καθαριστή. **[15]**
2. Αφαιρέστε το πακέτο φίλτρων από την υποδοχή τους τραβώντας τον δακτύλιο του φίλτρου εξόδου. **[16]**
3. Χτυπήστε απαλά και πλύνετε τη μονάδα φίλτρων. Μη χρησιμοποιείτε καυτό νερό ή απορρυπαντικό. Απομακρύνετε την περίσσεια νερού από το φίλτρο και αφήστε το να στεγνώσει εντελώς πριν το χρησιμοποιήσετε. **[17,18]**
4. Επανασυναρμολογήστε το πακέτο φίλτρων και επανατοποθετήστε το στον καθαριστή μόλις στεγνώσει εντελώς, βάζοντας το στη θέση του και σπρώχνοντας το μέχρι τέρμα. **[16]**
5. Ασφαλίστε το κάλυμμα του φίλτρου εξόδου πατώντας στο άκρο με τα κλιπ, θα ακούσετε ένα κλικ όταν το κάλυμμα του φίλτρου εξόδου μπει στη θέση του. **[15]**

**ΕΠΙΣΗΜΑΝΣΗ :** Μη χρησιμοποιείτε το προϊόν εάν προηγουμένως δεν έχετε τοποθετήσει σωστά το σύστημα φίλτρων.

#### Καθαρισμός του κάδου απορριμάτων / της μονάδας διαχωρισμού

Η συσκευή χρησιμοποιεί ένα σύστημα διαχωρισμού, μοναδικό για την Hoover. Εάν χρειάζεται η μονάδα διαχωρισμού μπορεί να αποσυναρμολογηθεί από το δοχείο σκόνης και να καθαριστεί.

1. Πατήστε το κουμπί απελευθέρωσης του καπακιού του δοχείου σκόνης και αφαιρέστε το συγκρότημα του δοχείου σκόνης από τον καθαριστή. **[10]**
2. Κρατήστε το δοχείο σκόνης με το ένα χέρι και με το άλλο χέρι πατήστε το κουμπί απασφάλισης του καπακιού του δοχείου σκόνης για να ανοίξετε το καπάκι του δοχείου. **[11]**
3. Αφαιρέστε τον ανιχνευτή κυκλώνα (κόκκινο) από το σώμα του κυκλώνα. **[12]**
4. Αφαιρέστε το σώμα του κυκλώνα από το δοχείο σκόνης. **[13]**
5. Αν χρειάζεται χρησιμοποιήστε ένα πανί για να αφαιρέσετε την υπερβολική ποσότητα σκόνης από την επιφάνεια του κόκκινου ανιχνευτή στροβίλου και το σώμα κυκλώνα.
6. Τοποθετήστε το δοχείο σκόνης κάτω από τη βρύση. **[17]** Ξεπλύνετε με χλιαρό νερό. Πλύντε τις εσωτερικές επιφάνειες του κάδου μόνο με νερό. ΜΗ χρησιμοποιήσετε απορρυπαντικά σαπουνιού για να πλύνετε το εσωτερικό του κάδου.
7. Επανασυναρμολογήστε τα εσωτερικά εξαρτήματα στο δοχείο σκόνης, εξασφαλίζοντας ότι όλα τα εξαρτήματα είναι στεγνά.
8. Κλείστε το καπάκι του δοχείου σκόνης και επανατοποθετήστε το συγκρότημα του δοχείου σκόνης στον καθαριστή.

#### Απομάκρυνση σκουπιδιού

1. Ελέγξτε εάν το δοχείο σκόνης είναι γεμάτο. Εάν ναι, ανατρέξτε στην ενότητα «Άδειασμα του δοχείου σκόνης».
2. Αν το δοχείο σκόνης είναι άδειο, αλλά η απορρόφηση εξακολουθεί να είναι χαμηλή:
  - A. Μήπως χρειάζονται καθαρίσματα φίλτρα; Εάν ναι, ανατρέξτε στην ενότητα «Καθαρισμός των πλενόμενων φίλτρων».
  - B. Ελέγξτε εάν έχει φράξει κάπου αλλού το σύστημα - Χρησιμοποιήστε μια ράβδο ή ένα κοντάρι για να αφαιρέσετε τυχόν σκουπίδια από το σωλήνα επέκτασης ή από τον εύκαμπτο σωλήνα.
  - C. Ελέγξτε εάν είναι τοποθετημένο το φίλτρο πριν το μοτέρ
  - D. Ελέγξτε εάν η μονάδα διαχωρισμού χρειάζεται καθαρισμό. Ανατρέξτε στην ενότητα «Καθαρισμός της μονάδας διαχωρισμού».

## ΛΙΣΤΑ ΕΛΕΓΧΟΥ ΧΡΗΣΤΗ

Εάν αντιμετωπίσετε πρόβλημα με το προϊόν, πριν απευθυνθείτε στις υπηρεσίες τεχνικής υποστήριξης Τεχνική Υποστήριξη Hoover, κάντε τους ελέγχους που ακολουθούν.

- Υπάρχει ρεύμα στην πρίζα που έχει συνδεθεί η ηλεκτρική σκούπα; Ελέγξτε το με κάποια άλλη ηλεκτρική συσκευή.
- Είναι το δοχείο σκόνης υπερβολικά γεμάτο; Ανατρέξτε στην ενότητα «Συντήρηση σκούπας».
- Είναι φραγμένο το φίλτρο; Ανατρέξτε στην ενότητα «Συντήρηση σκούπας».
- Είναι φραγμένο το πέλμα ή ο εύκαμπτος σωλήνας; Ανατρέξτε στο κεφάλαιο «Απομάκρυνση σκουπιδιού από το σύστημα».
- Μήπως υπερθερμάνθηκε η σκούπα; Εάν ναι, η αυτόματη επαναφορά θα διαρκέσει περίπου 30 λεπτά.

## ΣΗΜΑΝΤΙΚΕΣ ΠΛΗΡΟΦΟΡΙΕΣ

#### Ανταλλακτικά και αναλώσιμα Hoover

Όταν παραστεί η ανάγκη χρησιμοποιείτε αποκλειστικά γνήσια ανταλλακτικά Hoover. Τα ανταλλακτικά Hoover διατίθενται από τον τοπικό αντιπρόσωπο Hoover ή απευθείας από τη Hoover. Κατά την παραγγελία εξαρτημάτων να αναφέρετε πάντα τον αριθμό μοντέλου.

#### Τεχνική Υποστήριξη Hoover

Όποτε χρειαστεί να γίνει κάποια επισκευή στη συσκευή σας, επικοινωνήστε με το πλησιέστερο κέντρο τεχνικής υποστήριξης Gias Service

#### Ποιότητα

BSI ISO 9001: Τα εργοστάσια Hoover έχουν ελεχθεί από ανεξάρτητους φορείς ποιοτικού ελέγχου. Τα προϊόντα μας κατασκευάζονται μέσω ενός συστήματος ποιότητας το οποίο πληροί τις προδιαγραφές του προτύπου ISO 9001.

#### Η εγγύησή σας

Οι όροι ισχύος της εγγύησης της συσκευής καθορίζονται από τον αντιπρόσωπο της χώρας στην οποία έχει πραγματοποιηθεί η πώληση. Περισσότερες πληροφορίες σχετικά με τους όρους εγγύησης μπορείτε να ζητήσετε από τον αντιπρόσωπο που αγοράσατε τη συσκευή. Η προσκόμιση του τιμολογίου ή της απόδειξης αγοράς είναι βασική προϋπόθεση για την ισχύ της εγγύησης.

Ο κατασκευαστής διατηρεί το δικαίωμα να επιφέρει αλλαγές χωρίς προγενέστερη ενημέρωση.

## ИНСТРУКЦИИ ПО БЕЗОПАСНОМУ ИСПОЛЬЗОВАНИЮ

Данный прибор предназначен только для домашнего использования в соответствии с описанием, приведенным в настоящем Руководстве пользователя. Прежде чем приступить к эксплуатации данного бытового электроприбора, убедитесь в том, что вы понимаете настоящее руководство.

Не оставляйте прибор включенным в розетку. После использования или перед очисткой или обслуживанием всегда вынимайте вилку из розетки.

Дети старше восьми лет, а также лица со сниженным физическим, сенсорным или умственным развитием или отсутствием опыта или знаний об устройстве могут использовать устройство под присмотром или если они должным образом проинструктированы о безопасном использовании устройства и понимают риски, которые может повлечь собой его использование. С устройством не должны играть дети. Не следует допускать детей к очистке и обслуживанию прибора без присмотра взрослых.

Если провод питания поврежден, немедленно отключите прибор. Во избежание угрозы безопасности замену провода питания должен проводить только мастер авторизованной сервисной службы HOOVER.

Не приближайте вращающиеся щетки к рукам, ногам, болтающейся одежде и волосам.

Используйте только те насадки, расходные материалы или запасные части, которые рекомендует или поставляет HOOVER.

**Статическое электричество:** В процессе чистки ковров некоторых видов может образовываться статическое электричество. Разряд статического электричества не представляет опасности для здоровья.

Не применяйте прибор вне помещений, на влажных поверхностях или для сбора жидкостей.

Не используйте прибор для сбора острых предметов, спичек, горячего пепла, окурков или аналогичных объектов.

Не распыляйте или не собирайте горючие жидкости, чистящие средства, аэрозоли или прочие пары.

Не перевозите свой прибор через провод питания и не тяните за провод, вынимая вилку из розетки.

В случае неисправности не следует продолжать пользоваться прибором.

**Сервисная служба HOOVER:** Для гарантии безопасной и надежной работы данного прибора мы рекомендуем приглашать авторизованных инженеров сервисной службы HOOVER для выполнения технического обслуживания и ремонта.

Не стойте на проводе и не наматывайте его на руку или ногу в процессе использования прибора.


Не пользуйтесь прибором для очистки животных или людей.

Не размещайте прибор над собой во время уборки лестниц.

### Окружающая среда:

Символ на данном приборе указывает на то, что его нельзя утилизировать вместе с бытовыми отходами. Его необходимо сдавать в соответствующий пункт приема для дальнейшей переработки электрических и электронных частей. Утилизация должна проводиться в соответствии с местными природоохранными правилами по утилизации отходов. За более подробной информацией по обращению с данным прибором, его утилизации и переработке обратитесь в местные органы власти, в службу утилизации отходов или в магазин, где вы приобрели данный прибор.



 Данный прибор отвечает требованиям Европейских Директив 2014/35/EU, 2014/30/EU и 2011/65/EU.

CANDY HOOVER GROUP S.r.l. Via Privata Eden Fumagalli, 20861 Brugherio (MB) Italy

## ЗНАКОМСТВО С ВАШИМ ПЫЛЕСОСОМ

- |   |   |
|---|---|
| A. Контейнер для сбора пыли                               | Qa. Защелка телескопической трубы*                  |
| B. Корпус пылесоса  | Qb. Регулятор телескопической трубы**               |
| C. Кнопка Вкл./Выкл.                                      | R. Защелка насадки для ковров и твердого покрытия*  |
| D. Посадочное место                                       | S. Насадка для пола и ковров (GP)**                 |
| E. Кнопка спуска защелки контейнера для сбора пыли        | S1. Насадка для ковров (CA)**                       |
| F. Кнопка катушки с проводом                              | S2. Насадка для твердых покрытий (HF)**             |
| G. Пылесборник  | T. Ползунок насадки для ковров и твердого покрытия* |
| H. Корпус циклона   | U. Педаль выбора поверхности*                       |
| I. Сливная насадка (Красный металл)                       | V. Промываемый фильтр                               |
| J. Крышка контейнера для сбора пыли                       | W. Выпускной фильтр                                 |
| K. Спуск защелки откидной крышки                          | X1. Щетка для удаления пыли**                       |
| L. Кнопка спуска защелки крышки контейнера для сбора пыли | X2. Щелевая насадка*                                |
| M. Шланг  | X3. Мебельная насадка*                              |
| N. Рукоятка шланга**                                      | Y. Мини турбо насадка для удаления шерсти животных* |
| O. Регулятор всасывания*                                  | Z. Мини турбо насадка для удаления аллергенов*      |
| P. Держатель принадлежностей*                             | AA. Насадка для паркета*                            |
| Q. Телескопическая труба**                                |   |

## СБОРКА ПЫЛЕСОСА

Извлеките составные части пылесоса из упаковки.

1. Присоедините шланг к корпусу пылесоса, следя за тем, чтобы он вошёл в гнездо и встал в правильное положение. Для того, чтобы отсоединить шланг, нажмите кнопку на конце шланга и потяните его на себя. [1]
2. На верхнем конце раздвижной трубы [2a] установите рукоятку шланга или другие принадлежности по необходимости. [2b]
3. Соедините нижний край выдвигной трубы с насадкой для чистки ковров или твердых напольных покрытий\*\* [3a] или закрепите аксессуары при необходимости. [3b]
4. После использования насадки и принадлежностей\* можно хранить с нижней стороны выдвигной трубы в специальном держателе.

## ЭКСПЛУАТАЦИЯ ПЫЛЕСОСА

1. Вытяните шнур питания на нужную длину и включите вилку шнура в электрическую розетку. Запрещается вытягивать шнур далее красной отметки! [4]
2. Отрегулируйте выдвигную трубу\*\* до нужной высоты, подняв вверх регулятор\*\*, и поднимите или опустите ее до удобного положения при уборке. [5]
3. Подсоединив нижний конец трубы к насадке для ковров и пола\*\* или другой насадке, нажмите педаль выбора\* типа напольного покрытия на насадке, чтобы установить наиболее приемлемый режим уборки:  
**Твердое напольное покрытие** – Для защиты напольного покрытия щетки опущены  
**Ковровое покрытие** – Для более глубокой очистки щетки подняты.

**Насадка для пола и ковров\*\*:** [6]

- **Уборка твердых напольных покрытий:** Переведите педаль на насадке в режим

уборки твердых напольных покрытий и установите ползунок на насадке в положение ВСЕ ТИПЫ ПОЛОВ. В этом положении щетки, колесики и скребок опускаются для защиты твердого напольного покрытия. [6a]

- **Стандартная уборка ковров и ковровых покрытий:** Переведите педаль на насадке в режим уборки ковров и установите ползунок на насадке в положение ВСЕ ТИПЫ ПОЛОВ. В таком положении щетки и скребок подняты, а колесики опущены, чтобы облегчить движение по поверхности данного типа. [6b]

- **Глубокая чистка ковров:** Переведите педаль на насадке в режим уборки ковров и установите ползунок на насадке в положение ГЛУБОКАЯ ЧИСТКА ПОЛОВ. В этом положении щетки, колесики и скребок подняты для более глубокой очистки ковра. [6c]

**ВНИМАНИЕ:** Чтобы не поцарапать деревянные полы, не используйте для уборки насадку с педалью, установленной не в положении для твердых полов, и с ползунком в положении для глубокой чистки ковров.

4. Включите пылесос, нажав педаль вкл./выкл. на главном корпусе пылесоса. [7]
5. Отрегулируйте мощность всасывания, передвинув регулятор мощности всасывания на нужный уровень. [8]
6. Завершив очистку, выключите пылесос, нажав кнопку Вкл./Выкл. Выньте вилку из розетки и нажмите кнопку катушки провода [F], чтобы намотать провод на катушку внутри корпуса пылесоса.

**Положения остановки и хранения**

7. Если вы не пользуетесь пылесосом, трубу можно оставить в положении для временного или постоянного хранения. [9]

## ДОПОЛНИТЕЛЬНЫЕ ПРИСПОСОБЛЕНИЯ И ПРИНАДЛЕЖНОСТИ

Для достижения лучшей производительности и эффективности рекомендуется правильно использовать насадки для основных операций уборки. Эти насадки обозначены на схеме буквами GP, HF или CA.

Насадку типа GP можно использовать для очистки как ковров, так и твердых напольных покрытий.

Насадка типа HF подходит только для твердых напольных покрытий.

Насадка типа CA подходит только для ковров.

Прочие насадки являются аксессуарами для особых видов уборки и рекомендуются для использования только в определенных случаях.

Щелевая насадка\*, мебельная насадка\* и щетка для удаления пыли\* хранятся на телескопической трубе в удобном держателе. Их можно крепить к рукоятке или к концу телескопической трубы.

На некоторых моделях щетка для удаления пыли удобно встроена в рукоятку шланга.

**Щетка для удаления пыли\*\*** – Предназначена для чистки книжных полок, рамок картин, компьютерных клавиатур и прочих деликатных поверхностей. [X1]

**Щелевая насадка\*** – Предназначена для очистки углов и труднодоступных мест. [X2]

**Мебельная насадка\*** – Предназначена для очистки мягкой мебели и тканей. [X3]

**Насадка для паркета\*** – Для паркетных полов и других напольных покрытий, требующих осторожного обращения. [AA]

**Мини турбо насадка для удаления шерсти животных\*** – Мини турбо щетка предназначена для чистки лестниц или глубокой очистки тканевых поверхностей и других

труднодоступных для чистки мест. Особенно подходит для удаления шерсти животных. [Y]

**Мини турбо насадка для удаления аллергенов\*** – Мини турбо щетка предназначена для чистки лестниц или глубокой очистки тканевых поверхностей и других труднодоступных для чистки мест. Особенно подходит для удаления аллергенов. [Z]

**ВНИМАНИЕ!** Запрещается использование минитурбонасадки на коврах с длинной бахромой, на шкурах животных и на коврах с ворсом длиннее 15 мм. Во время вращения щетки не следует держать насадку без действия.

## ТЕХНИЧЕСКОЕ ОБСЛУЖИВАНИЕ ПЫЛЕСОСА

### Очистка пылесборника

При наполнении пылесборника до максимального уровня, указанного на контейнере, необходимо произвести его очистку.

**ВНИМАНИЕ!** Для поддержания оптимальной производительности не следует допускать накопления пыли выше максимального уровня.

1. Отключите пылесос с помощью главного выключателя и выньте шнур питания из розетки.
2. Нажмите кнопку спуска защелки на крышке контейнера для сбора пыли и выньте контейнер из пылесоса. [10]
3. Удерживая контейнер для сбора пыли одной рукой, другой нажмите на спуск защелки откидной крышки. [13]
4. Закройте откидную крышку и установите контейнер назад в пылесос. [10]

### Очистка моющихся фильтров

Снимите решетку выпускного канала, расположенную в задней части устройства для уборки. Для поддержания оптимальной эффективности уборки регулярно снимайте фильтры и простигивайте по стенке контейнера, чтобы удалить пыль. Фильтры следует промывать после 5 опорожнений пылесборника, а также в случае избыточного накопления пыли.

**ВНИМАНИЕ!** Фильтры всех безмешочных вариантов пылесосов нуждаются в регулярной очистке. Если фильтры не чистятся, это может привести к блокировке воздушного потока, перегреву и поломке пылесоса. Это может привести к аннулированию вашей гарантии.

**ВНИМАНИЕ!** Регулярно проверяйте фильтры и производите их чистку.

**ВНИМАНИЕ!** Убедитесь в том, что фильтр перед использованием просушен.

### Чтобы вынуть фильтры:

1. Нажмите кнопку спуска защелки на крышке контейнера для сбора пыли и выньте контейнер из пылесоса. [10]
2. Удерживая контейнер для сбора пыли одной рукой, другой рукой нажмите на кнопку спуска защелки крышки контейнера и откройте крышку. [11]
3. Выньте промываемый фильтр, вставленный в крышку контейнера. [14]
4. Аккуратно простучите и промойте фильтр. Запрещается промывка горячей водой или моющими средствами. Отожмите паралоновый фильтр и оставьте его для просушки перед повторным использованием. [17,18]
5. После того, как фильтр полностью просохнет, установите его на место в крышку и верните контейнер в пылесос.

**ВНИМАНИЕ!** Использование пылесоса без установленного в него фильтра запрещено!

**Для извлечения выходного фильтра выполните следующие действия:**

1. Откройте дверцу вытяжного фильтра, нажав две кнопки и потянув наружу из главного корпуса. [15]
2. Выньте блок фильтра из углубления, потянув за кольцо на вытяжном фильтре. [16]
3. Аккуратно простучите и промойте блок фильтра. Запрещается промывка горячей водой или моющими средствами. Удалите излишки воды с фильтра и дайте ему полностью высохнуть перед использованием. [17,18]
4. Установите блок фильтра обратно, после того как он полностью просохнет, и вставьте на место в пылесосе, прижав до полной посадки. [16]
5. Зафиксируйте вытяжной фильтр, прижав кромку с клипсами. При посадке дверцы фильтра на место вы услышите характерный щелчок. [15]

**ВНИМАНИЕ!** Использование пылесоса без установленного в него фильтра запрещено!

### Очистка пылесборника / Очистка отделения

В пылесосах Hoover используется уникальная система фильтрации. При необходимости данное отделение можно снять и промыть.

1. Нажмите кнопку спуска защелки на крышке контейнера для сбора пыли и выньте контейнер из пылесоса. [10]
2. Удерживая контейнер для сбора пыли одной рукой, другой рукой нажмите на кнопку спуска защелки крышки контейнера и откройте крышку. [11]
3. Снимите сливную воронку (красного цвета) с корпуса циклона. [12]
4. Снимите циклон с контейнера для сбора пыли. [13]
5. При необходимости с помощью салфетки удалите излишки пыли с красной сливной воронки и поверхности корпуса циклона.
6. Поставьте контейнер для сбора пыли под водопроводный кран. [17] Ополосните теплой водой. Внутренние поверхности промойте простой водой. Запрещается использование мыльных растворов для мытья внутренних поверхностей пылесборника.
7. Установите на место внутренние компоненты контейнера для сбора пыли, предварительно убедившись, что все они полностью просохли.
8. Закройте крышку контейнера и верните его на место в пылесос.

### Устранение засоров

1. Убедитесь, что пылесборник заполнен. Если так, см. раздел «Очистка пылесборника».
2. Если пылесборник пуст, а всасывание остается низким:
  - A. Требуется ли прочистить фильтры? Если да, см. раздел «Очистка моющихся фильтров».
  - B. Убедитесь в отсутствии других засоров в пылесосе. - При помощи стержня или палки прочистите телескопическую трубу или гибкий шланг.
  - C. Убедитесь в пригодности предмоторного фильтра.
  - D. Проверьте не нуждается ли сепаратор в очистке. См. раздел 'Очистка отделения'.



## АНКЕТА ПОЛЬЗОВАТЕЛЯ

Если у Вас возникли затруднения в ходе эксплуатации пылесоса, попробуйте установить причины мелких неполадок перед обращением в местный сервисный центр продукции Hoover.

- Подается ли электричество к пылесосу? Проверьте наличие электричества с помощью любого электрического прибора.
- Не переполнен ли пылесборник? См. раздел «Техническое обслуживание пылесоса».
- Не засорился ли фильтр? См. раздел «Техническое обслуживание пылесоса».
- Не засорились ли шланг или насадка? См. раздел «Устранение засоров в системе».
- Не перегрелся ли пылесос? Если это так, примерно через 30 минут он снова станет работоспособным.

## ВАЖНАЯ ИНФОРМАЦИЯ

### Запасные части и расходные материалы компании Hoover

При замене частей используйте только оригинальные запасные части и расходные материалы компании Hoover. Их можно приобрести у вашего местного дилера компании Hoover или непосредственно в компании Hoover. При оформлении заказа на запасные части обязательно указывайте номер модели пылесоса.

### Сервисное обслуживание компании Hoover

В случае необходимости сервисного обслуживания пылесоса позвоните в местный сервисный центр продукции Hoover.

### Требования к качеству продукции

BSI ISO 9001: Заводы компании Hoover прошли независимую оценку на предмет соблюдения требований к качеству выпускаемой продукции. Наша продукция изготавливается с применением системы качества, удовлетворяющей требованиям стандарта ISO 9001.

### Ваша гарантия

Условия гарантии для данного бытового электрического прибора определяются нашим представительством в той стране, в которой этот электроприбор был куплен. Более подробную информацию об этих условиях вы можете получить от нашего дилера. При предъявлении претензий по условиям данных гарантийных обязательств необходимо предъявить чек или квитанцию на проданный товар.

Изменения могут быть внесены без предварительного уведомления.

## INSTRUKCJE BEZPIECZNEGO UŻYTKOWANIA

Urządzenie to jest przeznaczone wyłącznie do użytku domowego w sposób opisany w niniejszej instrukcji użytkownika. Prosimy o dokładne zapoznanie się z instrukcją przed rozpoczęciem używania odkurzacza.

Nie pozostawiać urządzenia podłączonego do gniazdka zasilającego. Należy zawsze wyłączać urządzenie i wyjmować wtyczkę przewodu zasilającego z gniazdka po zakończeniu użytkowania, a także przed przystąpieniem do czyszczenia lub wykonywania jakichkolwiek czynności konserwacyjnych.

Urządzenie mogą obsługiwać dzieci w wieku co najmniej 8 lat, osoby o ograniczonych zdolnościach fizycznych, sensorycznych lub mentalnych, a także osoby nieposiadające odpowiedniego doświadczenia oraz wiedzy, jedynie pod warunkiem że odbywać się będzie to pod nadzorem lub po przeszkoleniu na temat bezpiecznego użycia urządzenia oraz związanych z nim zagrożeń. Dzieci nie mogą bawić się urządzeniem. Urządzenia nie powinny czyścić ani konserwować dzieci bez nadzoru.

Jeśli przewód zasilający uległ uszkodzeniu, należy natychmiast zaprzestać korzystania z urządzenia. Ze względów bezpieczeństwa przewód zasilający powinien być wymieniany wyłącznie przez serwisanta autoryzowanego punktu serwisowego HOOVER.

Nie zbliżać rąk, stóp, luźnej odzieży ani włosów do obracających się szczotek.

Należy korzystać wyłącznie z końcówek, materiałów eksploatacyjnych oraz części zamiennych zalecanych lub dostarczonych przez firmę HOOVER.

**Ładunki elektrostatyczne:** Odkurzanie niektórych dywanów może powodować niewielkie naelektryzowanie się odkurzacza. Tego rodzaju ładunki elektrostatyczne nie stanowią zagrożenia dla

zdrowia.

Nie używać urządzenia na zewnątrz domu, do odkurzania mokrych powierzchni ani do zbierania wody.

Nie wolno wciągać twardych lub ostrych przedmiotów, zapalek, gorącego popiołu, niedopałków papierosów ani innych podobnych przedmiotów.

Nie spryskiwać łatwopalnymi cieczami, środkami czyszczącymi w aerozolu ani parą.

Nie stąpać po przewodzie zasilającym podczas korzystania z urządzenia i nie wyjmować wtyczki, ciągnąc za przewód zasilający.

Nie kontynuować eksploatacji uszkodzonego urządzenia.

**Serwis firmy HOOVER:** Aby zapewnić bezpieczne i sprawne działanie tego urządzenia, zalecamy zlecenie prac serwisowych lub napraw wyłącznie serwisantom autoryzowanego punktu serwisowego firmy HOOVER.

Nie stawać na przewodzie zasilającym i nie owijać go sobie wokół rąk lub nóg podczas korzystania z urządzenia.

Nie używać urządzenia do odkurzania ludzi lub zwierząt.

Nie ustawiać urządzenia powyżej swojego poziomu podczas odkurzania schodów.

#### Ochrona środowiska

Symbol umieszczony na urządzeniu oznacza, że nie jest ono klasyfikowane jako odpad z gospodarstwa domowego. Urządzenie należy zdać w odpowiednim punkcie utylizacji w celu recyklingu komponentów elektrycznych i elektronicznych. Urządzenie należy złomować zgodnie z lokalnymi przepisami w sprawie utylizacji odpadów. Dodatkowe informacje na temat sposobu utylizacji, złomowania i recyklingu urządzenia można uzyskać w lokalnym urzędzie miejskim, w komunalnym zakładzie utylizacji odpadów lub w sklepie, w którym produkt został zakupiony.



**CE** Urządzenie spełnia wymogi europejskich norm 2014/35/WE, 2014/30/WE oraz 2011/65/WE.

CANDY HOOVER GROUP S.r.l. Via Privata Eden Fumagalli, 20861 Brugherio (MB) Italy

## ELEMENTY ODKURZACZA

- |  |  |
|--|--|
| A. Zestaw pojemnika na kurz                      | Qa. Rura teleskopowa na zatrask*   |
| B. Obudowa główna odkurzacza                     | Qb. Regulacja rury teleskopowej**  |
| C. Pedał wł./wył.                                | R. Szczotka do dywanów i podłóg z zatraskiem do ustawiania pozycji ssawki* |
| D. Gniazdo blokujące                             | S. Szczotka dywanowo-podłogowa (GP)**                                      |
| E. Przycisk zwalniający pojemnik na kurz         | S1. Ssawka do dywanów (CA)**   |
| F. Pedał zwijania przewodu                       | S2. Ssawka do twardych podłóg (HF)**                                       |
| G. Pojemnik na kurz                              | T. Szczotka do dywanów i podłóg z suwakiem do ustawiania pozycji ssawki*   |
| H. Obudowa cyklonu                               | U. Przełącznik typu podłogi*   |
| I. Rurka wirowa ( Czerwona metaliczna )          | V. Filtr przed silnikiem   |
| J. Pokrywa pojemnika na kurz                     | W. Filtr wylotowy  |
| K. Przycisk zwolnienia klapki pojemnika na kurz  | X1. Szczotka do kurzu**  |
| L. Przycisk zwolnienia pokrywy pojemnika na kurz | X2. Ssawka szczelinowa*  |
| M. Wąż   | X3. Szczotka do kurzu*   |
| N. Uchwyt na wąż**                               | Y. Turboszczotka mini do usuwania sierści zwierząt*                        |
| O. Regulator siły ssania*                        | Z. Turboszczotka mini do usuwania alergenów*                               |
| P. Uchwyt*                                       | AA. Szczotka do parkietów*   |
| Q. Rura teleskopowa**                            |  |

## MONTAŻ ODKURZACZA

Wyjmij wszystkie elementy z opakowania.

1. Podłącz wąż do obudowy głównej odkurzacza, upewniając się, że został zatrzaśnięty i zablokowany na swoim miejscu. Aby zwolnić: naciśnij przycisk na końcówce węża i pociągnij. [1]
2. Podłącz uchwyt węża do górnej końcówki rury przedłużającej [2a] lub zamocuj ewentualne akcesoria. [2b]
3. Podłącz dolną końcówkę rury przedłużającej do ssawki dywanowej lub podłogowej\*\* [3a] bądź do ewentualnych akcesoriów. [3b]
4. Akcesoria do czyszczenia\* można po użyciu przechowywać w dolnej części rury przedłużającej. Do tego celu należy wykorzystać uchwyt na akcesoria.

## KORZYSTANIE Z ODKURZACZA

1. Wyciągnij przewód zasilający i podłącz go do zasilania. Nie należy wyciągać przewodu poza czerwony znacznik. [4]
2. Ustawić rurę przedłużającą\*\* na żadaną wysokość, przesuwając w tym celu jej regulację\*\* w górę i podnosząc lub opuszczając uchwyt do najwygodniejszego położenia. [5]
3. Połącz dolny koniec teleskopowej rury z ssawką do dywanów i podłogi \*\*, a następnie naciśnij stopą przełącznik \* typu podłogi znajdujący się na ssawce, aby wybrać tryb czyszczenia najbardziej odpowiedni dla danego rodzaju podłogi:  
**Twarda podłoga** – Szczotki są obniżone, aby chronić podłogę.  
**Dywan** – Szczotki są podniesione, aby umożliwić głębsze czyszczenie.

**Szczotka uniwersalna\*\*:** [6]

- **Czyszczenie twardych podłóg:** Naciśnij stopą przełącznik znajdujący się na ssawce i ustaw go w pozycji TWARDA PODŁOGA, a następnie ustaw suwak na ssawce w pozycji

\*Tylko w niektórych modelach \*\* W zależności od modelu.

WSZYSTKIE RODZAJE PODŁÓG. W tej pozycji szczotki, kółka i pióra wycieraczki są obniżone, aby ochronić twardą podłogę. [6a]

- **Standardowe czyszczenie dywanów i chodników:** Naciśnij stopą przełącznik znajdujący się na ssawce i ustaw go w pozycji DYWANY, a następnie ustaw suwak na ssawce w pozycji WSZYSTKIE RODZAJE PODŁÓG. W tej pozycji szczotki i pióra wycieraczki są podniesione, a kółka obniżone, aby ułatwić przesuwanie szczotki po powierzchni dywanu. [6b]

- **Głębokie czyszczenie dywanów:** Naciśnij stopą przełącznik znajdujący się na ssawce i ustaw go w pozycji DYWANY, a następnie ustaw suwak na ssawce w pozycji GŁĘBOKIE CZYSZCZENIE DYWANÓW. W tej pozycji szczotki, kółka i pióra wycieraczki są podniesione, aby umożliwić dogłębne wyczyszczenie dywanu. [6c]

**Ostrzeżenie:** Aby uniknąć ryzyka zadrapania drewnianej podłogi, zaleca się, aby nie pozostawiać przełącznika w pozycji TWARDA PODŁOGA, a suwaka w pozycji GŁĘBOKIE CZYSZCZENIE DYWANÓW.

4. Włącz urządzenie naciskając przycisk on/off. [7]
5. Ustaw siłę ssania przesuwając regulator\* ssania na odpowiedni poziom. [8]
6. Po zakończeniu pracy wyłącz odkurzacz za pomocą pedału Wł./Wył. Wyjmij wtyczkę z gniazdka i naciśnij pedał zwijania przewodu [F], aby zwinąć go z powrotem do odkurzacza.

#### Przerwa w pracy i przechowywanie

7. Rurę można przechowywać w tylnej części odkurzacza na stałe lub chwilowo podczas użytkowania [9]

## DODATKOWE AKCESORIA

Aby uzyskać optymalne wyniki oraz wydajność tyczną, zaleca się stosowanie prawidłowych końcówek podczas głównych czynności czyszczenia. Ssawki są wskazane na schematach i oznaczone literami **GP**, **HF** lub **CA**.

Ssawką typu **GP** można odkurzać zarówno dywany, jak i twarde podłogi.

Ssawka typu **HF** jest odpowiednia tylko do odkurzania twardych podłóg.

Ssawka typu **CA** jest odpowiednia tylko do odkurzania dywanów.

Pozostałe ssawki to akcesoria do specjalistycznych zadań czyszczących. Zaleca się używać ich jedynie okazjonalnie.

Końcówka do szczelin\*, końcówka do mebli\* oraz szczotka do kurzu\*\* są przechowywane w teleskopowej rurze w praktycznym schowku na akcesoria. Można je założyć na uchwyt lub na końcówkę rury teleskopowej.

W niektórych modelach szczotka do kurzu jest dla wygody użytkownika zintegrowana z uchwytem rury.

**Szczotka do kurzu\*\*** – Do pótek z książkami, ram obrazów, klawiatur i innych delikatnych miejsc. [X1]

**Ssawka szczelinowa\*** – Do odkurzania kątów i innych trudno dostępnych miejsc. [X2]

**Szczotka do mebli\*** – Do miękkich mebli i tkanin. [X3]

**Szczotka do parkietów\*** – Do parkietów i innych delikatnych powierzchni podłogowych. [AA]

**Turboszczotka mini do usuwania sierści zwierząt\*** - Turboszczotka mini służy do odkurzania schodów lub głębokiego odkurzania powierzchni pokrytych tkaninami i innych

trudnych do czyszczenia powierzchni. Nadaje się w szczególności do usuwania sierści zwierząt. [Y]

**Turboszczotka mini do usuwania alergenów\*** – Turboszczotka mini służy do odkurzania schodów lub głębokiego odkurzania powierzchni pokrytych tkaninami i innych trudnych do czyszczenia powierzchni. Nadaje się w szczególności do usuwania alergenów. [Z]

**WAŻNE:** Nie należy korzystać z turboszczotek mini do odkurzania dywaników z długimi frędzlami, skór zwierzęcych i puszystych dywanów o włosie dłuższym niż 15 mm. Nie trzymaj końcówki nieruchomo, gdy szczotka się obraca.

## KONSERWACJA URZĄDZENIA

### Opróżnianie pojemnika na kurz

Gdy poziom kurzu osiągnie maksymalny poziom na wskaźniku zapelnienia pojemnika, należy opróżnić pojemnik na kurz.

**WAŻNE:** Aby uzyskać optymalną wydajność, nie wolno pozwolić, aby poziom kurzu przekroczył maksymalny poziom.

1. Wyłączyć odkurzacz i wyjąć wtyczkę przewodu zasilającego z gniazdka.
2. Naciśnąć przycisk zwalniający pokrywę pojemnika na kurz i wyjąć zestaw pojemnika na kurz z odkurzacza. [10]
3. Przytrzymać pojemnik na kurz jedną ręką i nacisnąć przycisk zwalniający kłapkę pojemnika na kurz. [13]
4. Zamknąć kłapkę pojemnika na kurz i zamontować z powrotem w korpusie odkurzacza. [10]

### Czyszczenie filtrów zmywalnych

Odkurzacz jest wyposażony w filtr przed silnikiem oraz w filtr wylotowy. Aby utrzymać optymalną wydajność odkurzania, należy regularnie wyjmować filtry i oczyszczać je z nadmiaru kurzu, opukując o krawędź pojemnika. Filtry należy myć co 5 wypróżnień pojemnika lub gdy przekroczony zostanie poziom kurzu dla filtra.

**WAŻNE:** Wszystkie bezworkowe odkurzacze wymagają regularnego czyszczenia filtrów. Niedostateczne czyszczenie filtrów może doprowadzić do zapchania, przegrzania i uszkodzenia odkurzacza. Może to spowodować wygaśnięcie gwarancji.

**WAŻNE:** Należy regularnie sprawdzać i konserwować filtry.

**WAŻNE:** Przed założeniem zestawu filtra należy zawsze upewnić się, że całkowicie wyschły.

### Aby uzyskać dostęp do filtra:

1. Naciśnąć przycisk zwalniający pokrywę pojemnika na kurz i wyjąć zestaw pojemnika na kurz z odkurzacza. [10]
2. Jedną ręką przytrzymać pojemnik na kurz, a drugą ręką nacisnąć przycisk zwalniania pokrywy pojemnika na kurz, aby otworzyć pokrywę. [11]
3. Wyjąć filtr przed silnikiem znajdujący się w pokrywie pojemnika. [14]
4. Delikatnie opukać i umyć filtr przed silnikiem. Nie stosować gorącej wody ani detergentów. Wycisnąć nadmiar wody z filtra i pozostaw do całkowitego wyschnięcia przed ponownym założeniem. [17,18]
5. Złożyć z powrotem całkowicie osuszony filtr przed filtrem i zamontować w pokrywie pojemnika na kurz, a następnie zamontować pojemnik w odkurzaczu.

**WAŻNE:** Nie należy używać urządzenia bez założonego zestawu filtra.

#### Aby uzyskać dostęp do filtra wylotowego:

1. Nacisnąć dwa przyciski, aby odblokować pokrywę filtra wylotowego i wyjąć go z obudowy odkurzacza. [15]
2. Aby wyjąć pakiet filtrów z obsady, należy pociągnąć za uchwyt w kształcie pierścienia na filtrze wylotowym. [16]
3. Delikatnie opukać i umyć filtr. Nie stosować gorącej wody ani detergentów. Usunąć nadmiar wody z filtra i pozostawić do całkowitego wyschnięcia przed ponownym założeniem. [17,18]
4. Złożyć z powrotem całkowicie osuszony pakiet filtrów i zamontować w odkurzaczu. Dobrze docisnąć, aby prawidłowo wszedł do obsady. [16]
5. Nacisnąć krawędź pokrywy filtra wylotowego z tej strony, z której znajdują się zaciski, w taki sposób, aby pokrywa filtra wylotowego zatrasnęła się na swoim miejscu. [15]

**WAŻNE:** Nie należy używać urządzenia bez założonego zestawu filtra.

#### Czyszczenie pojemnika na kurz/separatora

W odkurzaczu zastosowany system separacji opracowany przez firmę Hoover. W razie potrzeby separator można wyjąć z pojemnika na kurz i wyczyścić.

1. Nacisnąć przycisk zwalniający pokrywę pojemnika na kurz i wyjąć zestaw pojemnika na kurz z odkurzacza. [10]
2. Jedną ręką przytrzymać pojemnik na kurz, a drugą ręką nacisnąć przycisk zwalniania pokrywy pojemnika na kurz, aby otworzyć pokrywę. [11]
3. Wyjąć rurkę wirową (czerwoną) z obudowy cyklonu. [12]
4. Wyjąć obudowę cyklonu z pojemnika na kurz. [13]
5. W razie potrzeby za pomocą ściereczki usunąć nadmiar kurzu z powierzchni rurki wirowej oraz powierzchni obudowy cyklonu.
6. Umieścić pojemnik na kurz pod kranem. [17] Optukać letnią wodą. Wewnętrzne powierzchnie pojemnika należy czyścić tylko wodą. NIE używać detergentów na bazie mydła do czyszczenia wewnętrznych części pojemnika.
7. Zamontować element wewnętrzny z powrotem w pojemniku. Sprawdzić, czy wszystkie elementy są suche.
8. Zdjąć pokrywę pojemnika na kurz i zamontować zestaw pojemnika na kurz z powrotem w odkurzaczu.

#### Usuwanie niedrożności

1. Sprawdzić, czy pojemnik na kurz jest pełny. Jeśli tak, zobacz rozdział „Opróżnianie pojemnika na kurz”.
2. Jeśli pojemnik na kurz jest pusty, ale siła ssania jest nadal niedostateczna:
  - A. Czy trzeba wyczyścić filtry? Jeśli tak, zobacz rozdział „Czyszczenie filtrów zmywalnych”.
  - B. Sprawdź, czy występują jakiegokolwiek niedrożności w układzie. - Za pomocą patyka lub pręta przetkaj rurę przedłużającą lub przewód giętki.
  - C. Sprawdź, czy filtr przed silnikiem jest zamocowany.
  - D. Sprawdź, czy separator wymaga czyszczenia. Zobacz rozdział „Czyszczenie separatora”.

## LISTA KONTROLNA UŻYTKOWNIKA

W razie wystąpienia problemu z urządzeniem należy skorzystać z poniższej prostej listy kontrolnej użytkownika przed skontaktowaniem się z lokalnym serwisem firmy Hoover.

- Czy gniazdko, do którego podłączono odkurzacz, jest pod napięciem? Sprawdź gniazdko elektryczne, podłączając do niego inne urządzenie elektryczne.
- Czy pojemnik na kurz jest przepelniony? Zobacz rozdział „Konserwacja odkurzacza”.
- Czy filtr jest niedrożny? Zobacz rozdział „Konserwacja odkurzacza”.
- Czy wąż lub szczotki są zatkane? Zobacz rozdział „Usuwanie niedrożności z układu”.
- Czy nie nastąpiło przegrzanie odkurzacza? W przypadku przegrzania odkurzacz automatycznie ponownie uruchomi się po około 30 minutach.

## WAŻNE INFORMACJE

### Części zapasowe i materiały eksploatacyjne firmy Hoover

Należy zawsze wymieniać części na oryginalne części zapasowe firmy Hoover. Można je nabyć w lokalnym serwisie firmy Hoover lub bezpośrednio w firmie Hoover. Przy zamawianiu części zawsze należy podać numer danego modelu.

### Serwis firmy Hoover

Jeśli kiedykolwiek wymagana będzie naprawa, należy skontaktować się z lokalnym punktem serwisowym firmy Hoover.

### Jakość

BSI ISO 9001: Fabryki firmy Hoover zostały poddane niezależnej kontroli pod kątem jakości. Nasze produkty zostały wytworzone z wykorzystaniem systemu kontroli jakości spełniającego wymogi normy ISO 9001.

### Gwarancja

Warunki gwarancji na niniejsze urządzenie są określone przez naszego przedstawiciela w kraju, w którym urządzenie jest sprzedawane. Szczegółowe informacje na temat warunków gwarancji można uzyskać w punkcie, w którym urządzenie zostało nabyte. Przy zgłaszaniu wszelkich roszczeń w ramach gwarancji należy przedstawić dowód sprzedaży lub pokwitowanie.

Zastrzegamy sobie możliwość wprowadzania zmian bez wcześniejszego powiadomienia.

## NÁVOD K BEZPEČNÉMU POUŽITÍ

Tento vysavač by měl být používán pouze pro úklid domácnosti a v souladu s touto uživatelskou příručkou. Než začnete spotřebič používat, ujistěte se, že rozumíte tomuto návodu.

Nenechávejte zařízení zapnuté v zásuvce. Před čištěním nebo jakoukoli údržbou zařízení vždy vypněte a síťovou šňůru vytáhněte ze zásuvky.

Tento přístroj smí používat děti od 8 let výše a osoby se sníženými fyzickými, smyslovými nebo mentálními schopnostmi nebo s nedostatkem zkušeností a znalostí, pokud jsou pod dohledem nebo jim byly dány pokyny týkající se bezpečného používání tohoto přístroje a byly seznámeny s možnými riziky jeho používání. S přístrojem si nesmí hrát děti. Čištění a údržbu nesmí provádět děti bez dohledu.

Jestliže je poškozena síťová šňůra, okamžitě přestaňte zařízení používat. Abyste se vyhnuli ohrožení bezpečnosti, napájecí kabel musí být vyměněn autorizovaným technikem společnosti HOOVER.

Udržujte dostatečnou vzdálenost rukou, nohou, volného oděvu a vlasů z dosahu otočných kartáčů.

Používejte výhradně příslušenství, spotřební materiál a náhradní díly doporučené nebo dodávané firmou HOOVER.

**Statická elektřina:** Při čištění některých koberců vzniká malé množství statické elektřiny. Výboje statické elektřiny neohrožují zdraví.

Nepoužívejte Vaše zařízení venku, nebo na mokré povrchy a na mokrá vysávání.

Nevysávejte tvrdé nebo ostré předměty, zápalky, žhavý popel, cigaretové nedopalky a podobné předměty.

Nestříkejte nebo nevysávejte hořlavé kapaliny, čisticí tekutiny, aerosoly nebo jejich výpary.

Během použití zařízení nepřejíždějte přes síťovou šňůru a nevytahujte síťový kabel ze zásuvky taháním za šňůru.

Nepoužívejte zařízení, pokud Vám připadá vadné.

**Servis HOOVER:** Pro zajištění vždy bezpečné a efektivní práce s přístrojem doporučujeme, aby jakékoliv servisní práce nebo opravy prováděl pouze autorizovaný servisní pracovník společnosti Hoover.

Během použití zařízení nestůjte na síťové šňůře ani si ji neovíjete kolem paží či nohou.


Nepoužívejte zařízení pro čištění zvířat a osob.

Při úklidu schodů nestavte zařízení na vyšší schod, než se nacházíte vy.

### Životní prostředí

Symbol na tomto zařízení označuje, že tento výrobek nesmí být likvidován jako domovní odpad. Zařízení musí být předáno do příslušného sběrného místa pro likvidaci elektrických a elektronických zařízení. Likvidace musí proběhnout v souladu s místními ekologickými předpisy pro likvidaci odpadu. Pro další podrobné informace o zacházení, regeneraci a likvidaci tohoto zařízení prosím kontaktujte Váš místní úřad, společnost pro sběr odpadu nebo obchod, kde jste jej zakoupili.



 Tento spotřebič je v souladu s evropskými směrnicemi 2014/35/EU, 2014/30/EU a 2011/65/EU.

CANDY HOOVER GROUP S.r.l. Via Privata Eden Fumagalli, 20861 Brugherio (MB) Italy

## SEZNAMTE SE S VAŠÍM VYSAVAČEM

- |   |  |
|---|--|
| A. Zásobník na prach                            | P. Držák na příslušenství*                         |
| B. Hlavní část vysavače                         | Q. Teleskopická trubka**                           |
| C. Pedál zapnutí/vypnutí                        | Qa. Zápádka teleskopické trubice*                  |
| D. Parkovací slot                               | Qb. Nastavení teleskopické trubky**                |
| E. Tlačítko pro uvolnění zásobníku na nečistoty | R. Zápádka pro koberec a tvrdou podlahu*           |
| F. Pedál navíjení kabelu                        | S. Hubice na koberce a podlahy (GP)**              |
| G. Nádobna na prach                             | S1. Hubice na koberce (CA)**                       |
| H. Tělo cyklónového systému                     | S2. Hubice na tvrdé podlahy (HF)**                 |
| I. Přepadová trubka (Metalická červená )        | T. Hubice na koberce a podlahy*                    |
| J. Víko zásobníku na nečistoty                  | U. Volič typu podlahy*                             |
| K. Uvolnění klapky zásobníku                    | V. Vstupní filtr                                   |
| L. Tlačítko otevření poklopu koše               | W. Výstupní filtr                                  |
| M. Hadice                                       | X1. Prachový kartáč**                              |
| N. Madlo hadice**                               | X2. Štěrbinový nástavec*                           |
| O. Regulátor sání*                              | X3. Nástavec na nábytek*                           |
|   | Y. Mini turbo hubice pro odstranění zvířecí srsti* |
|   | Z. Mini turbo hubice pro odstranění alergenů*      |
|   | AA. Parketová hubice*                              |

## SESTAVENÍ VYSAVAČE

Vybalte všechny díly vysavače.

- Připojte hadici k vysavači a přesvědčte se, že je spolehlivě zajištěna v provozní poloze. Při uvolnění: jednoduše stiskněte dvě tlačítka na hadici a zatáhněte za ni. [1]
- Připojte madlo hadice k horní teleskopické trubici [2a], případně k příslušenství. [2b]
- Připojte spodní konec trubice k hubici na koberce a podlahu\*\* [3a], případně k příslušenství. [3b]
- Příslušenství\* lze po použití uložit na spodní straně teleskopické trubice pomocí příslušného držáku\*.

## JAK POUŽÍVAT VYSAVAČ

- Vytáhněte síťovou šňůru a zapojte ji do zásuvky. Netahejte šňůru za červenou značku. [4]
- Nastavte teleskopickou trubici\*\* do požadované výšky přesunutím seřizovacího tlačítka teleskopické trubice a trubici posuňte nahoru nebo dolů do polohy nejpohodlnější pro čištění. [5]
- Po připojení spodního konce teleskopické trubice k hubici pro koberec a podlahu\*\* nebo příslušenství dle potřeby sešlápněte pedál přepínače typu podlahy\* na hubici a zvolte nejvhodnější režim čištění podlahy:  
**Tvrdá podlaha** – Štětiny jsou vysunuté, aby nedošlo k poškrábání podlahy.  
**Koberec** – Štětiny jsou zasunuté, aby bylo zajištěno účinné čištění.

\*Pouze u některých modelů \*\* Může se lišit podle modelu

## Hubice na koberce a podlahy\*\*: [6]

- **Čištění tvrdých podlah:** Pomocí pedálu na hubici přepněte na režim tvrdé podlahy a upravte posuvník na hubici na VŠECHNY PODLAHY. V této poloze jsou štětiny, kolečka i stírací lišta vysunuty, aby nedošlo k poškrábání tvrdé podlahy. [6a]
- **Čištění běžných koberců:** Pomocí pedálu na hubici přepněte na režim koberce a upravte posuvník na hubici na VŠECHNY PODLAHY. V této poloze jsou štětiny a stírací lišta zasunuty a kolečka jsou vysunuta, aby byl zajištěn bezproblémový pohyb po podlaze. [6b]

- **Hlubkové čištění koberců:** Pomocí pedálu na hubici přepněte na režim koberce a upravte posuvník na hubici na HLOUBKOVÉ ČIŠTĚNÍ KOBERCŮ. V této poloze jsou štětiny, stírací lišta i kolečka zasunuty, aby bylo zajištěno hloubkové čištění vašeho koberce. [6c]

**VAROVÁNÍ:** Abyste nepoškrábali dřevěné podlahy, nedoporučujeme kombinaci pedálu v poloze pro tvrdé podlahy a posuvník v poloze pro hloubkové čištění.

- Zapněte čistič stlačením pedálu Zap/Vyp na hlavní části čističe. [7]
- Velikost podtlaku lze upravovat posunutím regulátoru\* sání do požadované polohy. [8]
- Po ukončení čištění vypněte čistič stlačením pedálu Zap/Vyp. Vytáhněte kabel ze zásuvky a stisknutím zpátečního [F] tlačítka navíječe navijte šňůru.

## Oddíl o uložení a skladování

- Pro uskladnění nebo dočasné uložení v případě používání lze trubici uložit na zadní část čističe. [9]

## PŘÍSLUŠENSTVÍ

Chcete-li získat co nejlepší výkon a účinnost je doporučeno, aby byly použité správné trysky pro hlavní čisticí operace. Tyto nástavce jsou uvedeny v diagramech symboly **GP**, **HF** nebo **CA**.

Nástavec typu **GP** lze použít jak pro čištění koberce tak na tvrdé podlahy.

Nástavec typu **HF** je vhodný pouze pro použití na tvrdé podlahy.

Nástavec typu **CA** je vhodný pouze pro použití na koberce.

Další nástavce jsou příslušenství pro specializovaná čištění a jsou doporučeny pouze pro příležitostná použití.

Štěrbinový nástavec\*, hubice na nábytek\*, kartáč na prach\*\* jsou uloženy na teleskopické trubici pomocí praktického držáku. Lze je upevnit na držadlo nebo na konec teleskopické trubice.

U některých modelů je prachový kartáč pohodlně zabudován do rukojeti hadice.

**Prachový kartáč\*\*** – Pro šetrné čištění knihoven, rámu, klávesnic apod. [X1]

**Štěrbinový nástavec\*** – Na rohy a obtížně přístupná místa. [X2]

**Hubice na čištění nábytku\*** – Pro šetrné čištění nábytku a tkanin. [X3]

**Parketová hubice\*** – Pro parketové podlahy a jiné citlivé podlahy. [AA]

**Mini turbo hubice pro odstranění zvířecí srsti\*** - Mini turbo hubici používejte pro úklid schodišť nebo pro hloubkové čištění textilních povrchů a jiných obtížně přístupných ploch.

Vhodné zejména pro odstraňování chlupů zvířat. [Y]

**Mini turbo hubice pro odstranění alergenů\*** – Mini turbo hubici používejte pro úklid schodišť nebo pro hloubkové čištění textilních povrchů a jiných obtížně přístupných ploch.

Vhodné zejména pro odstraňování alergenů. [Z]

**DŮLEŽITÉ UPOZORNĚNÍ:** Nepoužívejte miniturbobubici na čištění koberců s dlouhými trásněmi, pelíšků domácích zvířat a koberců s vlasem delším než 15 mm. Pokud se kartáče otáčejí, hubice nesmí zůstat na jednom místě.

## ÚDRŽBA VYSAVAČE

### Vyprázdnění zásobníku na prach

Jestliže ukazatel na zásobníku ukazuje, že množství prachu dosáhlo maximálního množství, je třeba zásobník vyprázdnit.

**DŮLEŽITÉ UPOZORNĚNÍ:** Pokud chcete dosáhnout optimální funkce vysavače, množství prachu nesmí přesáhnout úroveň označenou značkou Max.

1. Hlavním spínačem vypněte čistič a odpojte napájecí kabel ze zásuvky.
2. Stiskněte tlačítko pro uvolnění poklopu zásobníku sundejte zásobník na nečistoty z čističe. [10]
3. Jednou rukou podržte zásobník a stiskněte tlačítko k uvolnění klapky. [13]
4. Uzavřete zásobník a připevněte zpět k hlavnímu tělu čističe. [10]

### Čištění omyvatelného filtru

Vysavač je vybaven vstupním a výstupním filtrem. K zajištění optimálního výkonu čištění filtry pravidelně vyndejte a vyklepejte prach o okraj popelnice. Filtry by měly být čištěny po pěti vyprázdněních zásobníku nebo v případě usazení přílišného množství prachu.

**DŮLEŽITÉ UPOZORNĚNÍ:** Všechny beszáčkové vysavače vyžadují pravidelné čištění filtrů. V opačném případě může dojít k zablokování vzduchu, přehřátí a závadě spotřebiče. Může to vést ke ztrátě záruky.

**DŮLEŽITÉ UPOZORNĚNÍ:** Filtry je třeba pravidelně kontrolovat a čistit.

**DŮLEŽITÉ UPOZORNĚNÍ:** Před instalací do vysavače musí být filtry dokonale suché.

### Přístup k filtru:

1. Stiskněte tlačítko pro uvolnění poklopu zásobníku sundejte zásobník na nečistoty z čističe. [10]
2. Jednou rukou podržte zásobník a druhou rukou stiskněte tlačítko k otevření poklopu. [11]
3. Vyjměte vstupní filtr, který se nachází ve víku zásobníku na nečistoty. [14]
4. Jemně poklepejte a umyjte vstupní filtr motoru. Nepoužívejte horkou vodu nebo mycí prostředky. Odstraňte přebytečnou vodu z filtru a před použitím filtr nechejte dokonale vyschnout. [17,18]
5. Když je předfiltr řádně osušen, připevněte jej zpět do poklopu a zásobník na nečistoty připevněte zpět k čističi.

**DŮLEŽITÉ UPOZORNĚNÍ:** Nepoužívejte vysavač bez instalovaného filtru.

### Zpřístupnění výstupního filtru:

1. Odemkněte dveře výfukového filtru stiskem dvou tlačítek a vytažením směrem ven z hlavního těla čističe. [15]
2. Vyjměte filtrovou soupravu z prohlubně výstupního filtru. [16]
3. Jemně vyklepejte a umyjte filtrační jednotku. Nepoužívejte horkou vodu nebo mycí prostředky. Odstraňte přebytečnou vodu z filtru a před použitím nechte úplně vyschnout. [17,18]
4. Poté, co filtrová souprava zcela uschne, opět ji sestavte a připevněte zpět k čističi tak, že ji vložíte na své místo a zatlačíte, až zcela dosedne. [16]
5. Zablokujte kryt výstupního filtru stiskem hrany s klipem, uslyšíte kliknutí poté co dveře filtru zapadnou na místo. [15]

**DŮLEŽITÉ UPOZORNĚNÍ:** Nepoužívejte vysavač bez instalovaného filtru.

### Čištění zásobníku na prach / odstředivé jednotky

Tento čisticí systém používá separační systém, který je jedinečný pro firmu Hoover. V případě potřeby lze vyjmout odstředivou jednotku z kazety, abyste ji mohli vyčistit.

1. Stiskněte tlačítko pro uvolnění poklopu zásobníku sundejte zásobník na nečistoty z čističe. [10]
2. Jednou rukou podržte zásobník na nečistoty a druhou rukou stiskněte tlačítko k otevření poklopu. [11]
3. Odejměte přepadovou trubku (červenou) z cyklónové jednotky [12]
4. Sundejte tělo cyklónové jednotky z koše. [13]
5. V případě potřeby hadříkem odstraňte přebytečný prach z přepadové trubky a z povrchu cyklónové jednotky.
6. Vložte zásobník na nečistoty pod kohoutek. [17] Opláchněte vlašnou vodou. Vnitřní plochy zásobníku omývejte pouze vodou. K čištění vnitřního prostoru zásobníku NEPOUŽÍVEJTE mýdlové čisticí prostředky.
7. Znovu připevněte vnitřní část k zásobníku, ujistěte se, že jsou všechny části suché.
8. Uzavřete poklop zásobníku na nečistoty a připevněte jej zpět k čističi.

### Odstranění překážky

1. Zkontrolujte, zda není zásobník na prach plný. Pokud tomu tak je, postupujte podle části „Vyprázdnění nádoby na prach“.
2. Zásobník na prach je prázdný, avšak podtlak je stále nedostatečný:
  - A. Je třeba vyčistit filtry? Pokud ano, viz část „Čištění omyvatelného filtru“.
  - B. Zkontrolujte, zda není v systému jiná překážka - k odstranění jakékoliv překážky z teleskopické trubice nebo hadice použijte vhodnou tyč apod.
  - C. Zkontrolujte, zda je nasazený vstupní filtr.
  - D. Zkontrolujte, zda není nutné vyčistit odstředivý filtr. Viz část „Čištění odstředivé jednotky“.



## SEZNAM PRO UŽIVATELE

Pokud máte jakýkoli problém s výrobkem, proveďte kontrolu podle tohoto seznamu, než se obrátíte na servisní středisko Hoover.

- Funguje správně elektrická zásuvka, k níž je připojen vysavač? Zkontrolujte ji pomocí jiného spotřebiče.
- Není sáček na prach plný? Viz „Údržba vysavače“.
- Není ucpaný filtr? Viz „Údržba vysavače“.
- Není ucpaná hadice nebo hubice? Viz „Odstranění překážky ze systému.“
- Není vysavač přehřátý? Pokud ano, vyčkejte cca 30 minut, než se vysavač vrátí do funkčního stavu.

## DŮLEŽITÉ INFORMACE

### Náhradní díly a spotřební materiály Hoover

Vždy používejte originální náhradní díly společnosti Hoover. Získáte je u místního prodejce výrobků Hoover nebo u servisních partnerů. V objednávce dílů laskavě vždy uvádějte číslo modelu.

### Servis společnosti Hoover

S opravami se obračejte vždy na místní servisní středisko společnosti Hoover.

### Kvalita

BSI ISO 9001: Kvalita výroby ve výrobních závodech společnosti Hoover byla posouzena nezávislou organizací. Naše výrobky jsou vyráběny podle systému jakosti, který splňuje požadavky ISO 9001.

### Záruka

Záruční podmínky pro tento spotřebič stanovuje náš zástupce v zemi, v níž je spotřebič prodáván. Přesné znění podmínek vám poskytne prodejce, u něhož jste si zařízení zakoupili. Při reklamaci podle těchto záručních podmínek je nutno předložit doklad o koupi nebo převzetí.

Právo změny bez předchozího upozornění vyhrazeno.

## POKYNY PRE BEZPEČNÉ POUŽITIE

Tento spotrebič je určený na domáce čistenie, ako je uvedené v tejto používateľskej príručke. Pred použitím spotrebiča sa uistite, že ste tejto príručke plne porozumeli.

Spotrebič nenechávajte zapojený do elektrickej siete. Spotrebič vypnite a vytiahnite zástrčku zo zásuvky vždy po jeho použití, pred čistením, alebo akoukoľvek údržbou.

Tento spotrebič môžu používať deti staršie ako 8 rokov a osoby s obmedzenými fyzickými, zmyslovými alebo duševnými schopnosťami, alebo nedostatočnými skúsenosťami a znalosťami vtedy, ak sú pod dohľadom alebo im boli dané pokyny týkajúce sa bezpečného použitia spotrebiča a rozumejú možným rizikám. Deti sa so spotrebičom nesmú hrať. Čistenie a údržbu nesmú vykonávať deti bez dozoru.

Ak je napájací kábel poškodený, okamžite prestaňte spotrebič používať. Aby nedošlo k ohrozeniu bezpečnosti, napájací kábel musí vymeniť autorizovaný servisný technik spoločnosti HOOVER.

Ruky, nohy, voľné oblečenie a vlasy držte v bezpečnej vzdialenosti od rotujúcich kief.

Používajte iba príslušenstvo, spotrebný materiál alebo náhradné diely odporúčané alebo dodávané spoločnosťou HOOVER.

**Statická elektrina:** Niektoré koberce môžu spôsobiť menšie nahromadenie statickej elektriny. Prípadný statický výboj nie je zdraviu škodlivý.

Nepoužívajte spotrebič vonku, na akomkoľvek mokrom povrchu alebo na mokré vysávanie.

Nevysávajte tvrdé alebo ostré predmety, zápalky, horúci

popol, ohorky cigariet alebo iné podobné veci.

Nesprejujte alebo nevysávajújte horľavé kvapaliny, čistiace roztoky, aerosóly alebo ich pary.

Pri používaní spotrebiča neprechádzajte cez napájací kábel a nevyťahujte zástrčku ťahaním za napájací kábel.

Spotrebič prestaňte používať, ak nefunguje správne.

**HOOVER servis:** Pre zaistenie dlhého, bezpečného a účinného fungovania tohto spotrebiča odporúčame, aby všetky servisné úkony alebo opravy vykonával len autorizovaný servisný technik spoločnosti HOOVER.

Počas používania spotrebiča nestojte na kábli ani ho neobtáčajte okolo paží alebo nôh.

Nepoužívajte spotrebič na čistenie zvierat alebo ľudí.

Pri čistení schodov neumiestňujte spotrebič nad seba.

#### Prostredie

Tento symbol na spotrebiči informuje, že s týmto spotrebičom sa nesmie zaobchádzať ako s domovým odpadom. Je potrebné ho odovzdať na príslušnom zbernom mieste na recykláciu elektrických a elektronických zariadení. Likvidácia musí byť vykonaná v súlade s miestnymi predpismi pre likvidáciu odpadu. Pre podrobnejšie informácie o nakladaní so spotrebičom, jeho obnove a recyklácii sa obráťte na váš obecný úrad, odpadkovú službu pre domácnosti a alebo obchod, kde ste spotrebič zakúpili.



**CE** Tento spotrebič je v súlade s európskymi smernicami 2014/35/EÚ 2014/30/EÚ a 2011/65/EÚ.

CANDY HOOVER GROUP S.r.l. Via Privata Eden Fumagalli, 20861 Brugherio (MB) Italy

## ČASTI VYSÁVAČA

- |   |  |
|---|--|
| A. Jednotka nádoby na prach                 | Qa. Nastavenie teleskopickej trubice*                |
| B. Hlavné teleso vysávača                   | Qb. Nastavenie teleskopickej trubice**               |
| C. Pedál zapnutia/vypnutia                  | R. Nastavenie hubice na koberce a podlahy*           |
| D. Parkovacia pozícia                       | S. Kobercová a podlahová hubica (GP)**               |
| E. Tlačidlo na uvoľnenie nádoby na prach    | S1. Kobercová hubica (CA)**                          |
| F. Pedál pre navinutie kábla                | S2. Hubica na tvrdú podlahu (HF)**                   |
| G. Nádoba na prach                          | T. Hubica na koberce a podlahy*                      |
| H. Teleso cyklónu                           | U. Pedál výberu typu podlahy*                        |
| I. Hľadač vírov (Kovová červená)            | V. Predfilter motora                                 |
| J. Kryt nádoby na prach                     | W. Výfukový filter                                   |
| K. Uvoľňovacia spúšť klapy nádoby na prach  | X1. Oprašovacia kefka**                              |
| L. Tlačidlo otvorenia krytu nádoby na prach | X2. Nástavec na štrbiny*                             |
| M. Hadica                                   | X3. Nábytková hubica*                                |
| N. Držiak hadice**                          | Y. Mini turbo hubica na odstránenie chlívov zvierat* |
| O. Regulátor sania*                         | Z. Mini turbo hubica na odstránenie alergénov*       |
| P. Držiak príslušenstva*                    | AA. Parketová hubica*                                |
| Q. Teleskopická trubica**                   |  |

## AKO ZLOŽIŤ VYSÁVAČ

Vyberte všetky komponenty z obalu.

1. Pripojte hadicu k hlavnému telesu vysávača a uistite sa, že dosadla a zapadla na svoje miesto. Pre uvoľnenie: stlačte tlačidlo na hadici a ťahajte. [1]
2. Pripojte držiak hadice k horného koncu predlžovacej tyče [2a] alebo prípadne k príslušenstvu. [2b]
3. Pripojte spodný koniec predlžovacej trubice k hubici na koberce a podlahy\*\* [3a] alebo prípadne k príslušenstvu. [3b]
4. Doplnky\* na vysávanie je možné po použití uložiť na spodok predlžovacej trubice pomocou dodaného držiaka príslušenstva\*.

## POUŽÍVANIE VYSÁVAČA

1. Vytiahnite sieťový kábel a zapojte ho do elektrickej zásuvky. Kábel nevyťahujte viac ako určuje červená značka. [4]
2. Upravte teleskopickú trubicu\*\* do požadovanej výšky pohybom nastavenia teleskopickej trubice\*\* smerom nahor a predĺžte alebo skráťte hadicu na najpohodnejšiu pozíciu pre vysávanie. [5]
3. Po pripojení spodného konca teleskopickej trubice k hubici na koberce a podlahu\*\* alebo prípadne k príslušenstvu, zošliapnite pedál na hubici\* a zvolte vhodný režim čistenia pre daný typ podlahy.

**Tvrdá podlaha** – Kefy sú spustené, aby chránili podlahu.

**Koberce** – Štetiny sú zasunuté, aby bolo zaistené účinné čistenie.

**Kobercová a podlahová hubica\*\*:** [6]

- **Vysávanie tvrdej podlahy** Zošliapnite pedál na hubici do režimu tvrdej podlahy a presuňte posuvník na hubici na ALL FLOORS (všetky podlahy). V tejto polohe sú štetiny, kolieska a stieracia lišta spustené, aby chránili podlahu. [6a]

- **Štandardné vysávanie kobercov a koberčekov** Stlačte pedál na hubici do režimu koberca a presuňte posuvník na hubici na ALL FLOORS (všetky podlahy). V tejto polohe sú štetiny a stieracia lišta zdvihnuté a kolieska sú spustené, aby bol možný jednoduchý pohyb na tomto type povrchu. [6b]

- **Hĺbkové vysávanie kobercov:** Stlačte pedál na hubici do režimu koberca a presuňte posuvník na hubici na DEEP CARPET CLEANING (hĺbkové vysávanie kobercov). V tejto polohe sú štetiny, kolieska a stieracia lišta zasunuté, aby bolo zaistené účinné čistenie. [6c]

**UPOZORNENIE:** Na zabránenie možnému poškriabaniu drevených podláh odporúčame, aby nebol pedál nastavený do režimu tvrdej podlahy a posuvník na hĺbkovom vysávaní kobercov.

4. Vysávač zapnite stlačením pedálu zapnutia/vypnutia na hlavnom tele vysávača. [7]
5. Nastavte sanie posunutím regulátora sania\* na požadovanú úroveň. [8]
6. Po ukončení používania vypnite stlačením pedálu zapnutia/vypnutia. Vytiahnite zo zásuvky a stlačte pedál navinutia kábla [F] pre navinutie napájacieho kábla naspäť to vysávača.

**Odkladanie a Uskladnenie**

7. Trubicu je možné uložiť na zadnú stranu vysávača pri uskladnení alebo pri krátkodobom uložení počas používania. [9]

**PRÍSLUŠENSTVO**

Pre čo najlepší výkon a vynikajúcu účinnosť sa pri hlavnom vysávaní odporúča používanie správnych hubíc. Tieto hubice sú uvedené v grafoch pod písmenami **GP**, **HF** alebo **CA**.

Typ hubice **GP** sa dá použiť na vysávanie kobercov aj tvrdej podlahy.

Typ hubice **HF** je vhodný pre použitie len na tvrdej podlahe.

Typ hubice **CA** je vhodný pre použitie iba na koberci.

Ďalšie hubice sú príslušenstvom pre špeciálne vysávanie a odporúčajú sa iba na príležitostné použitie.

Nástavec na štrbiny\*, nábytková hubica\* a oprašovacia kefka\*\* sú uložené na teleskopickej trubici na praktickom stojane na príslušenstvo. Príslušenstvo sa dá upevniť na držadlo alebo na koniec teleskopickej trubice.

Oprašovacia kefka je pri niektorých modeloch súčasťou držadla hadice.

**Oprašovacia kefka\*\*** – Na police s knihami, rámy, klávesnice a iné úzke miesta. [X1]

**Nástavec na štrbiny\*** – Na rohy a ťažko prístupné miesta. [X2]

**Nábytková hubica\*** – Na mäkký nábytok a textilie. [X3]

**Parketová hubica\*** – Pre parketové podlahy a iné jemné podlahy. [AA]

**Mini turbo hubica na odstránenie chlupov zvierat\*** - Mini turbo hubica sa používa na schodoch alebo na hĺbkové vysávanie textilných povrchov a iných miest, ktoré sa ťažko vysávajú. Zvlášť vhodná na odstraňovanie zvieracích chlupov. [Y]

**Mini turbo hubica na odstránenie alergénov\*** – Mini turbo hubica sa používa na

schodoch alebo na hĺbkové vysávanie textilných povrchov a iných miest, ktoré sa ťažko vysávajú. Zvlášť vhodná na odstraňovanie alergénov. [Z]

**DÔLEŽITÉ** Nepoužívajte Mini turbo hubicu na kobercoch s dlhými strapcami, zvieracích kožiach a kobercoch s vlasom dlhším ako 15 mm. Keď sa kefa otáča, hubica nesmie zostať na jednom mieste.

**ÚDRŽBA VYSÁVAČA****Vyprázdnenie nádoby na prach**

Keď prach v nádobe dosiahne ukazovateľ maximálnej hladiny, nádobu vyprázdňte.

**DÔLEŽITÉ** Pre udržanie čo najlepšieho výkonu nedovoľte, aby bol prach nad indikátorom maximálnej hladiny.

1. Vypnite vysávač hlavným vypínačom a vytiahnite zástrčku zo zásuvky.
2. Stlačte tlačidlo otvorenia krytu nádoby na prach a vytiahnite nádobu na prach z vysávača. [10]
3. Nádobu na prach držte jednou rukou a stlačte uvoľňovaciu spúšť klapky nádoby na prach. [13]
4. Zatvorte klapku nádoby na prach a uložte nádobu naspäť do vysávača. [10]

**Čistenie umývateľných filtrov**

Vysávač je vybavený predfiltrom motora a výstupným filtrom. Na zaistenie optimálneho výkonu čistenia pravidelne vyberte filtre a odstráňte z nich prach oklepaním o okraj nádoby na prach. Filtre je potrebné čistiť po 5 vysypaniach nádoby na prach alebo v prípade, že je filter zanesený.

**DÔLEŽITÉ** Všetky bezsáčkové vysávače si vyžadujú pravidelné čistenie filtrov. V prípade nevyčistenia filtrov môže dôjsť k upchatiu prívodu vzduchu, prehriatiu a zlyhaniu výrobku. Môže to spôsobiť zrušenie záruky.

**DÔLEŽITÉ** Filtre pravidelne kontrolujte a starajte sa o ne.

**DÔLEŽITÉ** Vždy pred použitím sa uistite, že je filtrová jednotka úplne vysušená.

**Pre prístup k filtru:**

1. Stlačte tlačidlo otvorenia krytu nádoby na prach a vytiahnite nádobu na prach z vysávača. [10]
2. Nádobu na prach držte jednou rukou a pre otvorenie krytu nádoby na prach druhou stlačte uvoľňovacie tlačidlo krytu nádoby na prach. [11]
3. Odoberte predfilter motora, ktorý sa nachádza v kryte nádoby. [14]
4. Predfiltrom motora jemne poklopte a umyte ho. Nepoužívajte horúcu vodu alebo čistiace prostriedky. Z filtra odstráňte prebytočnú vodu a pred opätovným použitím ho nechajte úplne vyschnúť. [17,18]
5. Po úplnom vysušení znovu nasadte predfilter motora do krytu nádoby na prach a založte do vysávača.

**DÔLEŽITÉ** Nepoužívajte výrobok bez toho, aby bol založený predfilter motora.

**Pre prístup k výfukovému filtru:**

1. Dvierka výfukového filtra uvoľníte stlačením oboch tlačidiel a potiahnutím smerom von z hlavného tela vysávača. [15]

2. Odoberte filterovú jednotku z miesta uloženia potiahnutím krúžkového uzáveru výfukového filtra. [16]
3. Filterovú jednotku jemne poklopte a umyte. Nepoužívajte horúcu vodu alebo čistiace prostriedky. Z filtra odstráňte prebytočnú vodu a pred opätovným použitím ho nechajte úplne vyschnúť. [17,18]
4. Po úplnom vysušení založte naspäť filterovú jednotku a uložte do vysávača zasunutím a zatlačením naspäť na miesto. [16]
5. Uzamknite kryt výfukového filtra stlačením hrany so západkami. Po zapadnutí dvierok výfukového filtra na miesto budete počuť kliknutie. [15]

**DÔLEŽITÉ** Nepoužívajte výrobok bez toho, aby bol založený prefilter motora.

#### Čistenie nádoby na prach/separačnej jednotky

Tento vysávač používa špeciálny separačný systém spoločnosti Hoover. V prípade potreby je možné separačnú jednotku odmontovať od nádoby na prach a vyčistiť.

1. Stlačte tlačidlo otvorenia krytu nádoby na prach a vytiahnite nádobu na prach z vysávača. [10]
2. Nádobu na prach držte jednou rukou a pre otvorenie krytu nádoby na prach druhou stlačte uvoľňovacie tlačidlo krytu nádoby na prach. [11]
3. Odoberte hľadač vírov (červený) z tela cyklónu. [12]
4. Odoberte telo cyklónu z nádoby na prach. [13]
5. V prípade potreby použite na odstránenie prachu z červeného hľadača vírov a z povrchu tela cyklónu handru.
6. Umiestnite nádobu na prach pod vodovodný kohútik. [17] Opláchnite letnou vodou. Vnútorne povrchy nádoby na prach umývajte iba vodou. Na umývanie vnútorných častí nádoby na prach **NEPOUŽÍVAJTE** mydlové čistiace prostriedky.
7. Znova nasadte vnútorný komponent do nádoby na prach a uistite sa, že sú všetky komponenty suché.
8. Zatvorte kryt nádoby na prach a vložte zostavu s nádobou naspäť do vysávača.

#### Odstránenie zablokovania

1. Skontrolujte, či nie je nádobu na prach plná. Ak áno, prečítajte si časť Vyprázdenie nádoby na prach.
2. Ak je nádobu na prach prázdna, ale sací výkon je nízky:
  - A. Je potrebné vyčistiť filtre? Ak áno, prečítajte si časť Čistenie umývateľných filtrov.
  - B. Skontrolujte, či v systéme nedošlo k inému upchatiu. - Na odstránenie upchatia predĺžovacej trubice alebo ohybnej hadice použite tyč alebo palicu.
  - C. Skontrolujte umiestnenie predfiltra motora.
  - D. Skontrolujte, či nie je potrebné vyčistiť separačnú jednotku. Prečítajte si časť Čistenie separačnej jednotky.

## KONTROLNÝ ZOZNAM POUŽÍVATEĽA

Ak máte problém s výrobkom, pred obrátením sa na miestny servis spoločnosti Hoover vykonajte kontrolu podľa tohto zoznamu.

- Funguje elektrické napájanie vysávača? Skontrolujte pomocou iného elektrického spotrebiča.
- Je nádoba na prach preplnená? Preštudujte si časť „Údržba vysávača“.
- Nie je upchatý filter? Preštudujte si časť „Údržba vysávača“.
- Nie je upchatá hadica alebo hubica? Preštudujte si časť „Odstránenie zablokovania zo systému“
- Nie je vysávač prehriaty? Ak áno, automatický reset potrvá približne 30 minút.

## DÔLEŽITÉ INFORMÁCIE

### Náhradné diely a spotrebný materiál Hoover

Vždy nahrádzajte diely originálnymi náhradnými dielmi od spoločnosti Hoover. Môžete si ich zakúpiť u svojho miestneho distribútora spoločnosti Hoover alebo priamo od spoločnosti Hoover. Pri objednávaní náhradných dielov vždy uvádzajte číslo modelu.

### Hoover Servis

So všetkými požiadavkami na služby sa prosím obráťte na miestne servisné stredisko spoločnosti Hoover.

### Kvalita

BSI ISO 9001: Kvalita v továrňach spoločnosti Hoover bola nezávisle posúdená. Naše výrobky sú vyrobené s využitím systému kvality, ktorý spĺňa požiadavky normy ISO 9001.

### Vaša záruka

Záručné podmienky pre tento spotrebič sú definované našim zástupcom v krajine, v ktorej sa predáva. Podrobnosti týkajúce sa týchto podmienok je možné získať u obchodníka, u ktorého bol spotrebič zakúpený. Pri uplatňovaní nárokov podľa podmienok tejto záruky je nutné predložiť doklad o predaji alebo úhrade. Môžu sa zmeniť bez predchádzajúceho upozornenia.

## GÜVENLİ KULLANIM TALİMATLARI

Bu ürün kullanım kılavuzunda belirtildiği gibi yalnızca ev temizliği için kullanılmalıdır. Lütfen ürünü kullanmadan önce bu kılavuzun tam olarak anlaşıldığından emin olun.

Süpürgeci fişini prize takılı bırakmayın. Cihazı kullanmadan veya temizlemeden önce ya da herhangi bir bakım işleminden önce daima kapalı konuma getirin ve fişi prizden çekin.

Bu cihaz 8 yaş ve üzeri çocuklar ve yetersiz fiziksel, duyuşal veya zihinsel kabiliyete sahip kişiler ya da deneyim ve bilgi yoksunu kişiler tarafından bir yetişkinin gözetiminde veya cihazın güvenli bir şekilde kullanımı ile ilgili talimatı ve bulunan tehlikelerin açıkça anlatılması ile kullanılabilirler. Çocuklar cihaz ile oynamamalıdır. Temizleme ve bakım işlemi denetimsiz şekilde çocuklar tarafından yapılmamalıdır.

Güç kablosu hasar görürse cihazı kullanmayı derhal bırakın. Güvenliğin riske atılmaması için, elektrik kablosu mutlaka yetkili HOOVER servis teknisyeni tarafından değiştirilmelidir.

Ellerinizi, ayaklarınızı, bol giysileri ve saçlarınızı dönen fırçalardan uzak tutun.

Yalnızca HOOVER tarafından önerilen veya sağlanan ek birimleri, sarf malzemelerini ya da yedek parçaları kullanın.

**Statik elektrik:** Bazı halılar düşük miktarda statik elektrik yüklenmesine sebep olabilir. Statik elektrik deşarjı sağlığa zararlı değildir.

Cihazınızı dış mekanlarda veya ıslak yüzeylerde ya da ıslak toplama için kullanmayın.

Sert veya keskin nesnelere, kibritleri, sıcak külleri, sigara

izmaritleri veya diğer benzeri öğeleri toplamayın.

Yanıcı sıvıları, temizleme sıvılarını, aerosolleri veya spreyleri püskürtmeyin ya da toplamayın.

Cihazı kullanırken güç kablosu üzerine basmayın veya güç kablosundan çekerek prizden çıkarmayın.

Arızalı görünüyorsa cihazınızı kullanmaya devam etmeyin.

**HOOVER servisi:** Cihazın her zaman güvenli ve verimli bir şekilde kullanılabilmesi için, her türlü bakım veya onarım işinin sadece yetkili HOOVER servis teknisyenleri tarafından yapılmasını öneririz.

Cihazınızı kullanırken kablonun üzerinde durmayın veya kabloyu kolunuza ya da bacaklarınıza sarmayın.

Cihazı hayvanları veya insanları temizlemek için kullanmayın.

Merdivenleri temizlerken cihazı sizden daha yükseğe yerleştirmeyin.

### Çevre

Bu aygıtta sembol aygıtta ev atığı gibi işlem yapılamayacağını belirtir. Bunun yerine uygun elektrikli ve elektronik ekipman geri dönüşüm toplama noktasına teslim edilmelidir. İmha, atık imhası için düzenlenen yerel çevre yönetmeliklerine uygun olarak yapılmalıdır. Bu aygıtta ait işlem, kurtarma ve geri dönüşümle ilgili daha ayrıntılı bilgi için, lütfen yerel şehir ofisiniz, ev atığı ve çöp atma servisiniz ya da aygıtı satın aldığınız mağaza ile irtibata geçin.



**CE** Bu cihaz, 2014/35/EU, 2014/30/EU ve 2011/65/EU sayılı Avrupa Direktifleri ile uyumludur.

CANDY HOOVER GROUP S.r.l. Via Privata Eden Fumagalli, 20861 Brugherio (MB) Italy

## SÜPÜRGENİZİN PARÇALARI

- |  |  |
|--|--|
| A. Çöp Kutusu Grubu                            | Q. Teleskobik Boru**                             |
| B. Elektrikli Süpürge Ana Gövdesi              | Qa. Teleskopik Boru Mandalı*                     |
| C. Açma/Kapama Pedalı                          | Qb. Teleskopik Boru Ayarlayıcısı**               |
| D. Park Yuvası                                 | R. Halı ve Zemin Başlığı Mandalı*                |
| E. Çöp Kutusu Serbest Bırakma Düğmesi          | S. Halı ve Zemin Başlığı (GP)**                  |
| F. Kablo Sarma Makarası Pedalı                 | S1. Halı Başlığı (CA)**                          |
| G. Toz Torbası                                 | S2. Sert Zemin Başlığı (HF)**                    |
| H. Siklon Gövdesi                              | T. Halı ve Zemin Başlığı Kaydırıcısı*            |
| I. Girdap Bulucusu ( Metalik Kırmızı )         | U. Yüzey seçme pedalı*                           |
| J. Çöp Kutusu Kapağı                           | V. Ön motor filtresi                             |
| K. Çöp Kutusu Kanadını Serbest Bırakma Tetiği  | W. Çıkış Filtresi                                |
| L. Çöp Kutusu Kapağını Serbest Bırakma Düğmesi | X1. Toz Alma Fırçası**                           |
| M. Hortum                                      | X2. Kenar Köşe Aparatı*                          |
| N. Hortum Sapı**                               | X3. Mobilya başlığı*                             |
| O. Emiş Kontrolü*                              | Y. Evcil Hayvan Tüyü Giderici Mini Turbo Başlık* |
| P. Aksesuar tutucu*                            | Z. Alerjen Giderici Mini Turbo Başlık*           |
|  | AA.Parke Başlığı*                                |

## SÜPÜRGENİZİ KURMA

Tüm parçaları ambalajından çıkartın.

- Hortumu süpürgenin ana gövdesine takın, yerine oturduğundan ve kilittendiğinden emin olun. Çözmek için: Hortum sonunun üzerindeki düğmeye basitçe basın ve çekin. [1]
- Hortum kolunu uzatma borusu üst kısmı [2a] ucuna ya da gerekirse aksesuarlara bağlayın. [2b]
- Uzatma borusu alt kısmını halı veya zemin başlığına\*\* [3a] ya da gerekirse aksesuarlara bağlayın. [3b]
- Temizlik aksesuarı araçları\*, kullanım sonrasında birlikte verilen aksesuar tutucu\* kullanılarak uzatma borusunun alt tarafında saklanabilir.

## SÜPÜRGENİZİN KULLANIMI

- Güç kablosunu uzatın ve güç kaynağına (prize) takın. Kabloyu kırmızı işaretli bölgeden öteye çekmeyin. [4]
- En konforlu temizlik pozisyonuna ulaşmak için uzatma borusu ayarlayıcıyı\*\* yukarı kaldırarak ya da indirerek uzatma borusunu\*\* istenilen yüksekliğe ayarlayın. [5]
- Teleskopik borunu alt ucunu Halı ve Zemin Başlığına\*\* veya gerekliyse aksesuarlara bağladıktan sonra zemin türü için ideal temizleme modunu seçmek için başlığın üzerindeki zemin türü seçici\* pedalına basın:  
**Sert Zemin** – Fırçalar zemini korumak için geri çekilir.  
**Halı** – Daha derin temizlik için fırçalar yukarı kaldırılır.

### Halı ve Zemin Başlığı\*\*:

[6] - **Sert zemin Temizliği:** Sert Zemin modunda başlığın üzerindeki pedala basın ve başlığın üzerindeki kaydırıcıyı TÜM ZEMİNLER üzerine getirin. Bu konumda, sert zeminlerin korunması için fırçalar, tekerlekler ve silecek lastiği aşağı indirilir. [6a]

- **Standart Halı ve Kilim Temizliği:** Başlığın üzerindeki pedala basarak Halı moduna getirin ve başlık üzerindeki kaydırıcıyı TÜM ZEMİNLER olarak ayarlayın. Bu konumda fırçalar ve silecek lastiği yukarı kaldırılır ancak yüzeyde hareket kolaylığı için tekerlekler indirilir. [6b]

- **Derinlemesine Halı Temizliği:** Başlığın üzerindeki pedala basarak Halı moduna getirin ve başlık üzerindeki kaydırıcıyı DERİNLEMESİNE HALI TEMİZLİĞİ olarak ayarlayın. Bu konumda fırçalar, silecek lastiği ve tekerlekler halınızın derinlemesine temizlenmesi için yukarı kaldırılır. [6c]

**UYARI:** Pedalin sert zemin, kaydırıcının ise derinlemesine halı temizliği olarak ayarlandığı durumlarda ahşap zeminlerin çizilmesinin önlenmesi önerilir.

- Temizleyici ana gövdesindeki açma/kapatma pedalına basarak temizleyiciyi açın. [7]
- Emiş kontrolünü istenen düzeye getirerek\* emişi ayarlayın. [8]
- Kullandıktan sonra açma/kapatma pedalına basarak kapatın. Fişi prizden çıkarın ve güç kablosunu temizleyiciye geri sarmak için kablo makarası pedalına [F] basın.

### Park etme ve depolama kısmı

- Boru, depolama veya kullanım sırasında geçici depolama için temizleyicinin arkasına veya altına park edilebilir. [9]

## AKSESUARLAR

En iyi performans ve verimliliği için ana temizleme işlemlerinde doğru başlıkların kullanılması önerilir. Bu başlıklar, şemalarda GP, HF veya CA harfleri ile gösterilmiştir.

**GP** tip başlıklar halı ve sert zemin temizliğinde kullanılabilir.

**HF** tip başlıklar yalnızca sert zemin üzerinde kullanıma uygundur.

**CA** tip başlıklar sadece halı üzerinde kullanım için uygundur

Diğer başlıklar uzman temizlik işlemleri içindir ve bu başlıkların yalnızca arada sırada kullanılması önerilir.

Kenar köşe aparatı\*, mobilya başlığı\* ve toz alma fırçası\*\*, pratik aksesuar tutucusu ile teleskopik boru üzerinde saklanır. Sapa veya teleskopik borunun ucuna takılabilir.

Bazı modellerde, toz alma fırçası rahatlıkla hortum sapına entegre edilir.

**Toz Alma Fırçası\*\***– Kitaplık rafları, çerçeveler, klavyeler ve diğer hassas alanlar içindir. [X1]

**Kenar Köşe Aparatı\*** – Köşeler ve ulaşılması zor alanlar içindir. [X2]

**Mobilya Başlığı\*** – Yumuşak mobilyalar ve kumaşlar için. [X3]

**Parke Başlığı\*** – Parke ve diğer hassas zeminler içindir. [AA]

**Evcil Hayvan Tüyü Giderici Mini Turbo Başlık\*** - Merdivenler veya tekstil yüzeylerinde derinlemesine temizlik sağlar; temizlenmesi zor alanlar için mini turbo başlığı kullanılabilir. Özellikle hayvan tüylerinin giderilmesi için uygundur. [Y]

**Alerjen Giderici Mini Turbo Başlık\*** – Merdivenler veya tekstil yüzeylerinde derinlemesine temizlik sağlar; temizlenmesi zor alanlar için mini turbo başlığı kullanılabilir. Özellikle alerjenlerin temizlenmesi için uygundur. **[Z]**

**ÖNEMLİ:** Mini Turbo Başlığı uzun saçaklı halılarda, hayvan postlarında, 15 mm'den daha uzun havlı halılarda kullanmayınız. Fırça dönyorken başlığı sabit tutmayın.

## SÜPÜRGENİZİN BAKIMI

### Toz haznesini boşaltma

Toz, kaptaki maksimum seviye göstergesine ulaştığında, toz torbasının boşaltılması gerekir.

**ÖNEMLİ:** Yüksek performans için toz seviyesi asgari düzeyin üzerine çıkmamalıdır.

1. Süpürgeyi güç kaynağından kapatın ve güç kablosunu prizden çekin.
2. Çöp kutusu kapağı serbest bırakma düğmesine basın ve çöp kutusu grubunu temizleyiciden çıkarın. **[10]**
3. Çöo kutusunu tek elle tutun ve çöp kutusu kanadını serbest bırakma tetiğine basın. **[13]**
4. Çöp kutusu kanadını kapatın ve temizleyici ana gövdesine tekrar takın. **[10]**

### Yıkanabilir filtrelerin temizlenmesi

Süpürge ön motor filtresi ve çıkış filtresiyle donatılmıştır. En üst düzeyde temizlik performansını sağlamak için filtreleri düzenli olarak çıkarın ve atık haznesinin yanlarına vurarak tozları boşaltın. Filtreler her 5 hazne boşaltımında veya aşırı toz seviyesine geldiğinde yıkanmış olmalıdır.

**ÖNEMLİ:** Tüm torbasız süpürgeler, düzenli olarak filtre temizliine ihtiyaç duyarlar. Hava tıkanıklığı, fazla ısınma ve ürün arızası, filtrelerinizi yıkamayı aksatmanızın sonucu olabilir. Bu garantinizi geçersiz kılabilir.

**ÖNEMLİ:** Filtrelerinizi düzenli olarak denetleyin ve bakımını yapın.

**ÖNEMLİ:** Kullanmadan önce her zaman filtre paketinin tamamen kuru olduğundan emin olun.

### Filtreye erişmek için:

1. Çöp kutusu kapağı serbest bırakma düğmesine basın ve çöp kutusu grubunu temizleyiciden çıkarın. **[10]**
2. Çöp kutusunu tek elle tutun ve diğer elle çöp kutusu kapağını serbest bırakma düğmesine basarak kutu kapağını açın. **[11]**
3. Kutu kapağında bulunan ön motor filtresini çıkarın. **[14]**
4. Ön motor filtresine hafifçe vurun ve yıkayın. Sıcak su veya deterjan kullanmayın. Filtredeki fazla suyu giderin ve tekrar kullanmadan önce tamamen kurumaya bırakın. **[17,18]**
5. Tamamen kurduğunda ön motor filtresini çöp kutusu kapağına tekrar monte edin ve temizleyiciye tekrar takın.

**ÖNEMLİ:** Filtre paketini yerleştirmeden ürünü kullanmayın.

### Çıkış filtresine erişmek için:

1. İki butona da basarak ve ana süpürge gövdesinden dışarı çekerek, çıkış filtresi kapısının kilidini açın. **[15]**

2. Egzoz filtresinin çekme halkasını çekerek filter paketini yuvadan çıkarın. **[16]**
3. Filtre ünitesini yavaşça vurun ve yıkayın. Sıcak su veya deterjan kullanmayın. Filtreden fazla suyu alın ve kullanmadan önce tamamen kurumaya bırakın. **[17,18]**
4. Tam kurduğunda yerine geri takıp tamamen yuvasına iterek Filtre paketini temizleyiciye tekrar monte edin. **[16]**
5. Klipsleri olan kenara bastırarak çıkış filtresini kilitleyin, çıkış filtresi kapağı yerine takıldığı zaman bir klik sesi duyacaksınız. **[15]**

**ÖNEMLİ:** Filtre paketini yerleştirmeden ürünü kullanmayın.

### Toz haznesini / ayırma ünitesini temizleme

Bu süpürge, Hoover'e özel ayrı bir sistem kullanmaktadır. Gerekirse ayırma ünitesi toz haznesinden ayrılabilir ve temizlenebilir.

1. Çöp kutusu kapağı serbest bırakma düğmesine basın ve çöp kutusu grubunu temizleyiciden çıkarın. **[10]**
2. Çöp kutusunu tek elle tutun ve diğer elle çöp kutusu serbest bırakma düğmesine basarak çöp kutusu kapağını açın. **[11]**
3. Girdap Bulucuyu (Kırmızı) siklon gövdesinden çıkarın. **[12]**
4. Siklon gövdesini çöp kutusundan çıkarın. **[13]**
5. Gerekirse kırmızı girdap bulucu ve siklon gövde yüzeyinden fazla tozu temizlemek için bir bez kullanın.
6. Çöp kutusunu çeşmenin altına yerleştirin. **[17]** İlik suyla çalkalayın. Çöp kutusunun dahili yüzeylerini yalnızca suyla yıkayın. Çöp kutusunun iç kısımlarını yıkamak için sabunlu deterjanlar KULLANMAYIN.
7. Çöp kutusunun dahili bileşenini tüm bileşenlerin kuru olduğundan emin olarak yeniden monte edin.
8. Çöp kutusu kapağını kapatın ve çöp kutusu grubunu temizleyiciye tekrar takın.

### Sistemde Oluşan Tıkanıklığın Giderilmesi

1. Toz haznesinin doluluğunu kontrol edin. Doluysa, "Toz haznesini boşaltma" bölümüne bakın.
2. Eğer Toz Kutusu boş ise ancak emme hala düşük ise:
  - A. Filtrelerin temizlenmeye mi ihtiyacı var? Eğer ihtiyaç varsa 'Yıkanabilir filtreleri temizleme' bölümüne başvurun.
  - B. Sistemde başka herhangi bir tıkanıklık olup olmadığını kontrol edin. - Borunun iç hattından veya esnek hortumdan herhangi bir tıkanıklığı gidermek için rod veya karşıt uç kullanın.
  - C. Ön motor filtresinin takılı olup olmadığını kontrol edin.
  - D. Ayırıştırma ünitesinin temizlenmesi gerekip gerekmediğini kontrol edin. Bkz. 'Ayırıştırma ünitesini temizleme'

## KULLANICI KONTROL LİSTESİ

Ürün ile ilgili bir problem olduğunda, yetkili Hoover servisini aramadan önce bu basit kullanıcı kontrol listesini tamamlayın.

- Süpürgeye elektrik geliyor mu? Lütfen başka bir elektrikli cihaz ile kontrol edin.
- Toz haznesi aşırı dolmuş mu? Lütfen 'Süpürge Bakımı' bölümüne başvurunuz.
- Filtre tıkalı mı? Lütfen 'Süpürge Bakımı' bölümüne başvurunuz.
- Hortum veya başlık tıkalı mı? Lütfen 'Sistemden tıkanıklık giderilmesi' bölümüne başvurunuz.
- Süpürge fazla mı ısındı? Eğer öyleyse, otomatik sıfırlama 30 dakika sürecektir.

## ÖNEMLİ BİLGİLER

### Hoover yedek parça ve sarf malzemeleri

Parçaları daima orijinal Hoover parçaları ile değiştirin. Bu parçaları Hoover servislerinden tedarik edebilirsiniz. Parça siparişi verirken mutlaka cihazın model numarasını belirtin.

### Hoover Servisi

Herhangi bir hizmete ihtiyacınız olduğunda, lütfen bölgenizdeki Hoover Müşteri Hizmetleri ile irtibata geçiniz.

### Kalite

BSI ISO 9001: Hoover fabrikalarının kalitesi bağımsız olarak takdir almıştır. Ürünlerimiz, ISO 9001 gereksinimlerini içeren bir kalite sistemi kullanılarak üretilmektedir.

### Garanti

Bu cihaz için garanti koşulları, cihazın satıldığı ülkedeki temsilcimiz tarafından tanımlanmaktadır. Bu koşullara ilişkin ayrıntılar cihazın satın alındığı bayiden edinilebilmektedir. Bu garanti koşulları altında yapılan talepte satış fişi(faturası) ve makbuzu ibraz edilmiş olmalıdır.

Haber verilmeksizin değişiklikler yapılabilir.

## BIZTONSÁGOS HASZNÁLAT

Ezt a készüléket kizárólag háztartási célra, a felhasználói útmutatóban leírtak szerint lehet használni. Kérjük, a készülék használata előtt bizonyosodjon meg róla, hogy az összes utasítást megértette-e.

A készüléket ne hagyja a hálózatra csatlakoztatva. A használatot követően, illetve tisztítási vagy karbantartási műveletek előtt mindig kapcsolja ki a készüléket és távolítsa el a csatlakozót az aljzatból.

Ezen készüléket 8 éves, vagy annál idősebb gyerekek, valamint csökkent fizikai, érzékelési, vagy mentális képességekkel, továbbá tapasztalat nélküli személyek csak felügyelet mellett használhatják, továbbá ha a készülék használatára vonatkozó útmutatásokat megkapták, és biztonságosan tudják a készüléket használni, és megértették az azzal járó veszélyeket. Gyerekek nem játszhatnak a készülékkel. A tisztítás, és a karbantartást nem végezheti el gyerek, felügyelet nélkül.

Ha a tápvezeték megsérült, azonnal hagyja abba a készülék működtetését. A biztonsági kockázat elkerülése érdekében egy HOOVER szakszerviznek kell kicserélnie a tápvezetékét.

A forgó keféktől tartsa távol kezét, lábát, a laza ruházatot és haját.

Csak a HOOVER által javasolt tartozékokat, fogyóeszközöket és pótalkatrészeket használja.

**Statikus elektromosság:** Némelyik szőnyegtípus statikus elektromossággal is feltölthető. A statikus kisülések nem életveszélyesek.

A készüléket ne használja kültéren, nedves felületen, illetve



nedvesség felszívására.

Ne szívjon fel kemény vagy éles tárgyakat, gyufát, forró hamut, cigarettacsikket vagy hasonló tárgyakat.

A készüléket ne szórja le vagy szívjon fel vele gyúlékony folyadékokat, tisztítófolyadékokat, aerosolokat vagy ezek gőzeit.

Készüléke használatakor azt ne vezesse át a tápvezetéken, és a csatlakozót az aljzatból ne a tápvezeték meghúzásával távolítsa el.

Ha hibásnak tűnik, akkor ne használja tovább a készüléket.

**HOOVER szerviz:** A készülék folyamatos biztonságának és hatékony működésének biztosítása érdekében javasoljuk, hogy minden szervizelési és javítási munkát HOOVER szakszervizben végeztessen el.

A készülék használatakor ne álljon a tápvezetékre és ne tekerje karjára vagy lábára.

A készüléket ne használja állatok vagy személyek tisztítására.

Lépcsők tisztításakor ne helyezze önnél magasabba a készüléket.

#### Környezetvédelem

A terméken lévő szimbólum azt jelzi, hogy a készülék nem kezelhető háztartási hulladékként. A készüléket egy elektromos és elektronikus berendezések gyűjtésére szakosodott helyen kell leadni. A leselejtezést a helyi környezetvédelmi előírásoknak megfelelően kell végrehajtani. A kezeléssel és újrahasznosításával kapcsolatos részletesebb információkért vegye fel a kapcsolatot a helyi önkormányzattal, hulladékkezelő társaságával, vagy az üzlettel, ahol a készüléket vásárolta.



**CE** Ez a készüléket megfelel a 2014/35/EU, 2014/30/EU és 2011/65/EU európai direktíváknak.

CANDY HOOVER GROUP S.r.l. Via Privata Eden Fumagalli, 20861 Brugherio (MB) Italy

## A PORSZÍVÓ BEMUTATÁSA

- |                                      |  |
|--------------------------------------|--|
| A. Portartály egység                 | Qa. Teleszkópcső retesz*                         |
| B. Porszívó ház                      | Qb. Teleszkópos cső beállító**                   |
| C. Kapcsolópedál                     | R. Szőnyeg- és padlótisztító szívófej retesz*    |
| D. Parkoló pozíció nyílás            | S. Szőnyeg- és padlótisztító fej (GP)**          |
| E. Porzsák kioldógomb                | S1. Szőnyeg szívófej (CA)**                      |
| F. Vezetéktekerceselő pedál          | S2. Keménypadló szívófej (HF)**                  |
| G. Portartály                        | T. Szőnyeg- és padlótisztító szívófej csúszkája* |
| H. Ciklonos egység                   | U. Padlótípus választó pedál*                    |
| I. Vortex kereső (Metál piros)       | V. Elő-motor szűrő                               |
| J. Portartály fedele                 | W. Kimeneteli szűrő                              |
| K. Portartály csapó kioldógomb       | X1. Porkefe**                                    |
| L. Portartály fedelének kioldógombja | X2. Réstisztító eszköz*                          |
| M. Tömlő                             | X3. Kárpittisztító*                              |
| N. Fogantyú**                        | Y. Állatszór eltávolító mini turbó fej*          |
| O. Szívóerő szabályzó*               | Z. Allergén eltávolító, mini turbó fej*          |
| P. Tartozéktároló*                   | AA. Parkettatisztító fej*                        |
| Q. Teleszkópos cső**                 |  |

## A PORSZÍVÓ ÖSSZESZERELÉSE

Minden tartozékot vegyen ki a csomagolásból.

1. Csatlakoztassa a tömlőt a készülékhez, és biztosítsa, hogy a cső a helyére kattanjon. A kioldáshoz egyszerűen csak nyomja meg a tömlőn lévő gombot, majd húzza meg. [1]
2. Szükség esetén csatlakoztassa a fogantyút a cső felső végéhez [2a] vagy a tartozékokhoz. [2b]
3. Szükség esetén csatlakoztassa a cső alsó végét a szőnyeg- vagy padló szívófejhez\*\* [3a] vagy a tartozékokhoz. [3b]
4. A tisztítóeszközök\* használat után a hosszabbító cső alján, a termékhez biztosított tartozéktartóban tárolhatók.

## A KÉSZÜLÉK HASZNÁLATA

1. Húzza ki a tápkábelt, majd csatlakoztassa a konnektorhoz. A tápkábelt soha ne húzza túl a piros jelölésen. [4]
2. Állítsa a hosszabbítócsőt\*\* a kívánt magasságba. Ehhez mozgassa felfelé vagy lefelé a hosszabbítócső beállítóeszközét\*\* addig, amíg el nem éri a tisztításhoz legkényelmesebb helyzetet. [5]
3. Miután csatlakoztatta a cső alsó végét a szőnyeg- vagy padló szívófejhez\*\* vagy a tartozékokhoz, nyomja meg a szívófejen lévő padlótípus-választó\* pedált a padlótípushoz tartozó ideális tisztítási mód kiválasztásához:

**Keménypadló** – A padló védelme érdekében a kefék leereszkednek.

**Szőnyeg** – A mélyebb tisztítás érdekében a kefék felemelkednek.

**Szőnyeg & padló szívófej\*\*:** [6]

- **Keménypadló tisztítása:** Nyomja a szívócsövön lévő pedált Keménypadló (Keménypadló) módba és állítsa a szívócsövön lévő csúszkát ALL FLOORS (Minden padló típus) állásba. Ebben a pozícióban a kefék, kerekek és a törlőlapát a keménypadló védelme érdekében leereszkednek. [6a]

- **Hagyományos szőnyegek tisztítása:** Nyomja a szívócsövön lévő pedált Carpet (Szőnyeg) módba és állítsa a szívócsövön lévő csúszkát ALL FLOORS (Minden padló típus) állásba. Ebben a pozícióban a kefék és a törlőlapát megemelkednek, a kerekek pedig az ilyen felületen történő tökéletes mozgás biztosítása érdekében leereszkednek. [6b]

- **Szőnyeg mélytisztítása:** Nyomja a szívócsövön lévő pedált Carpet (Szőnyeg) módba és állítsa a szívócsövön lévő csúszkát DEEP CARPET CLEANING (Szőnyeg mélytisztítása) állásba. Ebben a pozícióban a kefék, kerekek és a törlőlapát a szőnyeg mélyebb tisztítása érdekében felemelkednek. [6c]

**FIGYELEM:** A fa padlók karcosításának lehetséges elkerülése érdekében javasoljuk, hogy a pedált ne állítsa keménypadló módba, a csúszkát pedig szőnyeg mélytisztítási állásba.

4. Kapcsolja be a tisztítógépet a tisztítógép házában lévő kapcsolópedál megnyomásával. [7]
5. A szívóerőt a szívóerő-szabályzó\* kívánt állásba mozgatásával szabályozhatja. [8]
6. Kapcsolja ki a használat végén a kapcsolópedál megnyomásával. Húzza ki és nyomja meg a vezeték kioldópedálját [F] az elektromos vezetéknek a porszívóba való visszahúzásához.

**Parkoló pozíció és Tárolás**

7. A csövet a porszívó hátsó részén lehet parkoló állásban tárolni, és amikor nem szükséges, akkor ideiglenesen itt is tartható. [9]

**TARTOZÉKOK**

A legjobb teljesítmény és hatékonyság elérése érdekében javasolt a megfelelő fejet használni a fő tisztítási műveletekhez. Ezeket a szívófejeket az ábrákon a **GP**, **HF** vagy **CA** betűk jelzik.

A **GP** típusú szívófej a szőnyeg és keménypadló tisztítására használható.

A **HF** típusú szívófej kizárólag keménypadlóhoz alkalmas.

A **CA** típusú fúvóka kizárólag szőnyegen használható.

A többi szívófej különleges feladatokhoz való tartozék, és csak alkalmanként javasolt a használatuk.

A réstisztító\*, a kárpittisztító\* és a portalanító\*\* a teleszkópos csövön helyezkednek el egy praktikus kiegészítő-tartóban. Ezeket a markolatra vagy a teleszkópos cső végére lehet erősíteni.

Bizonyos típusoknál a portalanító kefe hagyományosan be van építve a fogantyúba.

**Porkefe\*\***– Könyvespolcok, képkeretek, billentyűzetek és egyéb kényes területek tisztításához. [X1]

**Réstisztító eszköz\*** – Sarkok és nehezen elérhető területek tisztításához. [X2]

**Bútortisztító\*** – Puha bútorokhoz, és szövetekhez. [X3]

**Parkettatisztító fej\*** – Parketta és egyéb kényes padlók tisztításához. [AA]

**Állatszőr eltávolító mini turbó fej\*** - A mini turbó tisztítófejet lépcsőkhöz, vagy textíli felületek mélytisztításához vagy egyéb kemény felületek tisztításához használja. Különösen alkalmas háziállatok szőrének eltávolításához. [Y]

**Allergén eltávolító, mini turbó fej\*** – A mini turbó tisztítófejet lépcsőkhöz, vagy textíli felületek mélytisztításához vagy egyéb kemény felületek tisztításához használja. Különösen alkalmas allergének eltávolításához. [Z]

**FONTOS:** A mini turbó fejet ne használja hosszú szálú szőnyegekben, állati szőrmén és 15 mm-nél vastagabb szőnyegen. A fejet ne tartsa álló helyzetben, amikor a kefe forog.

**A PORSZÍVÓ KARBANTARTÁSA****A portartály ürítése**

A tartályt akkor kell üríteni, amikor az eléri a tartályon látható maximális jelzést.

**FONTOS:** Az optimális teljesítmény fenntartása érdekében soha ne hagyja, hogy a por szintje a max szint fölé emelkedjen.

1. Kapcsolja ki a készüléket a főkapcsolóval, majd húzza ki az elektromos vezetékét.
2. Nyomja meg a portartály kioldógombját, majd távolítsa el a portartály egységet a készülékből. [10]
3. Tartsa meg egy kézzel a portartályt, majd nyomja meg a porzsák fedelének kioldóját. [13]
4. Zárja le a portartály fedelét, majd illesse vissza a készülék házába. [10]

**A mosható szűrők tisztítása**

A porszívó egy előmotor és egy kimeneti szűrővel rendelkezik. Az optimális karbantartás érdekében rendszeresen vegye ki a szűrőket, és a szemetes oldalának ütögesse azokat. A szűrőket a portartály körülbelül minden ötödik ürítését követően kell kimosni, vagy amikor a szűrőben nagyon sok por van.

**FONTOS:** Az összes porzsák nélküli porszívó a szűrőt rendszeres tisztítását igényli. A szűrők tisztításának elmulasztása a levegőáramlás megszűnését, túlmelegedést és a termék meghibásodását okozhatja. Ez garanciavesztést okozhat.

**FONTOS:** Ellenőrizze és tartsa karban rendszeresen a szűrőket.

**FONTOS:** Mindig győződjön meg a használat előtt arról, hogy a motor előtti szűrő száraz-e.

**A szűrő eléréséhez:**

1. Nyomja meg a portartály kioldógombját, majd távolítsa el a portartály egységet a készülékből. [10]
2. Fogja meg egyik kezével a portartályt, a másik kezével pedig nyomja meg a portartály kioldógombját a fedél kioldásához. [11]
3. Távolítsa el a portartály fedél alatt lévő előmotor szűrőt. [14]
4. Enyhén ütögesse meg és mossa ki az előmotor szűrőt. Ne használjon forró vizet vagy tisztítószert. Rázza ki a vizet a szűrőből, majd az ismételt használat előtt, hagyja, hogy teljesen megszáradjon. [17,18]
5. Szerelje vissza az előmotor szűrőt a porzsákra.

**FONTOS:** Ne használja a terméket beszerelt szűrőegység nélkül.

**A kipufogó előtti szűrő eléréséhez:**

1. Nyissa ki a kifúvósűrő fedelét a két gomb megnyomásával és a tisztítógép fő házából való kifelé húzással. [15]
2. Távolítsa el a szűrőegységet a gyűrű meghúzásával. [16]
3. Enyhén ütögesse meg, majd mossa meg a szűrőegységet. Ne használjon forró vizet vagy tisztítószert. Távolítsa el a felesleges vizet a szűrőből, és a használat előtt hagyja teljesen megszáradni. [17,18]
4. Szerelje vissza a szűrőcsomagot a megszáradását követően, majd szerelje össze a készüléket. [16]
5. Zárja le a kimeneti szűrő burkolatát a kapcsolót tartalmazó él megnyomásával. Egy kattantást fog hallani a kimeneti szűrő ajtajának a helyére illeszkedésekor. [15]

**FONTOS:** Ne használja a terméket beszerelt szűrőegység nélkül.

#### **Tisztítsa meg a portartályt.**

A gép egyedi Hoover szűrőrendszert használ. A porelválasztó egységet szükség esetén le lehet szerelni a portartályról és meg lehet tisztítani.

1. Nyomja meg a portartály kioldógombját, majd távolítsa el a portartály egységet a készülékből. [10]
2. Tartsa meg egy kézzel a portartályt majd nyomja meg a reteszt. [11]
3. Távolítsa el a Vortex egységet (piros) a ciklonos egységből. [12]
4. Távolítsa el a ciklonos egységet a portartályból. [13]
5. Szükség esetén törölje le egy ronggyal a felesleges port a piros Vortex egységről és a ciklonos egység belsejéből.
6. Helyezze a portartályt a csap alá. [17] Öblítse ki langyos vízzel. A portartály belső felületét kizárólag tiszta vízzel mossa le. **NE HASZNÁLJON** szappant a porzsák belsejének tisztításához.
7. Szerelje vissza a belső egységet a portartályba, meggyőződve arról, hogy az összes alkatrész megszáradt.
8. Zárja le a portartályt és szerelje vissza a készülékbe.

#### **Eltömődés megszüntetése**

1. Ellenőrizze, hogy a portartály megtelt-e. Ha igen, akkor lásd a "Portároló ürítése" részt.
2. Amennyiben a portartály üres, de a szívóerő ennek ellenére is gyenge:
  - A. A szűrők tisztítására van szükség: Amennyiben igen, olvassa el "A mosható szűrők tisztítása" című fejezetet.
  - B. Ellenőrizze, hogy nincs-e másfajta dugulás a rendszerben. - Használjon egy rudat vagy pálcát a csőben vagy a rugalmas tömlőben lévő elzáródások eltávolításához.
  - C. Ellenőrizze, hogy az előmotor szűrőt felszerelték-e.
  - D. Ellenőrizze, hogy a porszűrő egységet meg kell-e tisztítani. Lásd a ciklonos porelválasztó egység tisztítása részt.

## **FELHASZNÁLÓI ELLENŐRZŐLISTA**

Amennyiben problémát észlel a termék működése során, a Hoover szerviz felhívása előtt ellenőrizze a következőket.

- A porszívó konnektora megfelelően működik-e? Kérjük, egy másik elektromos berendezés segítségével próbálja ki.
- A portartály túlságosan megtelt? Kérjük, tekintse meg "A porszívó karbantartása" című fejezetet.
- A szűrő eltömődött? Kérjük, tekintse meg "A porszívó karbantartása" című fejezetet.
- A tömlő vagy a szívófej eltömődött? Lásd a "Rendszer eltömődésének megszüntetése" részt.
- A porszívó túlmelegedett? Ha igen, akkor körülbelül 30 percig tart az automatikus törlés.

## **FONTOS INFORMÁCIÓ**

### **Hoover alkatrészek és fogyóeszközök**

Az alkatrészeket minden esetben eredeti Hoover pótalkatrészekkel cserélje ki. Ezeket a helyi Hoover kereskedőtől vagy közvetlenül a Hoover-től vásárolhatja meg. Az alkatrészek rendelésekor mindig adja meg a készülék modellszámát.

### **Hoover szerviz**

Amennyiben szervizelésre van szüksége, kérjük, vegye fel a kapcsolatot a legközelebbi Hoover Szervizközponttal.

### **Minőség**

BSI ISO 9001: A Hoover gyáraiban független minőségbiztosítás történik. A termékeket olyan minőségi rendszerek segítségével gyártjuk, melyek megfelelnek az ISO 9001 által támasztott összes követelménynek.

### **Garancia**

A garanciális feltételeket a termék értékesítési országában lévő képviselőnk határozza meg. Ezzel kapcsolatos információkat attól a kereskedőtől kérhet, ahol a terméket megvásárolta. A garanciális igények érvényesítéséhez a termék vásárlását igazoló blokk vagy számla bemutatására van szükség.

A változtatás jogát előzetes bejelentés nélkül fenntartjuk.

## ИНСТРУКЦИИ ЗА БЕЗОПАСНА УПОТРЕБА

Този уред трябва да се използва само за почистване в дома, както е описано в настоящото ръководство за потребителя. Моля, уверете се, че разбирате напълно това ръководство, преди да работите с уреда.

Не оставяйте уреда включен в контакта. Винаги изключвайте и изваждайте щепсела от контакта след употреба или преди почистване, или обслужване на уреда.

Този уред може да се използва от деца, навършили 8 години и лица с намалени физически, сетивни и умствени способности или липса на опит и познания, ако са под наблюдение или инструктирани за използването на уреда по безопасен начин и разбират свързаните с това опасности. Децата не трябва да си играят с уреда. Почистването и поддръжката не трябва да се извършват от деца без надзор.

Ако захранващият кабел е повреден, незабавно спрете да използвате уреда. За да избегнете опасност, захранващият кабел трябва да се замени от упълномощен сервизен инженер на HOOVER.

Дръжте ръцете, стъпалата, свободните дрехи и косата далеч от въртящите се четки.

Използвайте само приставки, консумативи или резервни части, препоръчани, или снабдени от HOOVER.

**Статично електричество:** някои килими е възможно да предизвикат известно натрупване на статично електричество. Не всеки статичен разряд е опасен за здравето.

Не използвайте уреда си на открито или върху мокра повърхност, нито за събиране на влажни отпадъци.

Не събирайте твърди или остри предмети, кибритени клечки, гореща пепел, фасове или други подобни.

Не напръсквайте с и не почиствайте запалими течности, препарати за почистване, аерозоли или техни пари.

Не настъпвайте захранващия кабел, докато използвате уреда си, и не изваждайте щепсела, като дърпате захранващия кабел.

Не продължавайте да използвате уреда си, ако изглежда неизправен.

**Сервиз HOOVER:** За да си осигурите продължително, безопасно и ефективно използване на този уред, препоръчваме цялото обслужване и ремонт да се изпълнява само от упълномощен сервизен инженер на HOOVER.

Не стъпвайте върху и не увивайте кабела около ръцете или краката, докато използвате уреда.


Не използвайте уреда за почистване на животни или хора.

Не поставяйте уреда над себе си, когато почиствате стълбища.

### Околната среда

Символът на този уред показва, че той не може да се третира като битов отпадък. Вместо това следва да се предаде в подходящ пункт за събиране за рециклиране на електрическо и електронно оборудване. Изхвърлянето трябва да се направи в съответствие с местните разпоредби за опазването на околната среда и изхвърлянето на отпадъци. За по-подробна информация относно обработката, възстановяването и рециклирането на този уред, моля, свържете се с местната си градска служба, услугата за изхвърляне на битови отпадъци или магазина, откъдето сте закупили уреда.



 Този уред е в съответствие с Европейски Директиви 2006/95/EC, 2004/108/EC и 2011/65/EU.

HOOVER Limited, Pentrebach, Merthyr Tydfil, Mid Glamorgan, CF48 4TU, Обединено кралство

## ЗАПОЗНАВАНЕ С ВАШАТА ПРАХОСМУКАЧКА

- |  |  |
|--|--|
| A. Възел на отделението за смет                  | Q. Телескопична тръба*                               |
| B. Основен корпус на прахосмукачката             | R. Накрайник за килими и подове (GP)**               |
| C. Педал Вкл./Изкл.                              | Q1. Накрайник за килими (CA)**                       |
| D. Отделение за паркиране                        | Q2. Накрайник за твърди подовинастилки (HF)**        |
| E. Бутон за освобождаване на отделението за смет | S. Педал за избор на тип подова настилка             |
| F. Педал на ролката за кабел                     | T. Изходен филтър                                    |
| G. Отделение за смет                             | U. Филтър пред мотора                                |
| H. Циклонен корпус                               | V. V1. Четка за прах*                                |
| I. Разтоварваща приставка(Червено металик)       | V2. Инструмент за тесни места*                       |
| J. Капак на отделението за смет                  | V3. Накрайник за мебели*                             |
| K. Езиче на капака на отделението за смет        | W. Мини турбо накрайник за косми от домашни любимци* |
| L. Бутон на капака на отделението за смет        | X. Мини турбо накрайник за алергени*                 |
| M. Маркуч  | Y. Голям турбо накрайник*                            |
| N. Дръжка на маркуча                             | Z. Z1. Накрайник за паркет*                          |
| O. Регулатор на засмукването*                    | Z2. Допълнителен накрайник за паркет*                |
| P. Държач за принадлежности*                     |  |

## СГЛОБЯВАНЕ НА ПРАХОСМУКАЧКАТА

- Свържете маркуча към основния блок на прахосмукачката, като се уверите, че се закрепя на място. За да освободите: просто натиснете бутона на края на маркуча и дръпнете. [1]
- Свържете дръжката на маркуча към горния край на удължителната тръба [2a] или принадлежностите, ако е необходимо. [2b]
- Свържете долния край на удължителната тръба към накрайника за килим и твърди подовинастилки [3a] или принадлежностите, ако е необходимо. [3b]
- Инструментите за почистване могат да се съхраняват след употреба от горната страна на удължителната тръба с помощта на предоставения държач за принадлежности. [4]

## ИЗПОЛЗВАНЕ НА ПРАХОСМУКАЧКАТА

- Издърпайте захранващия кабел и го включете в захранването. Не издърпвайте кабеласлед червената маркировка. [5]
- Регулирайте телескопичната тръба до желаната височина, като преместите бутона за телескопичната блокировка нагоре и повдигнете или спуснете дръжката до най-удобното положение за почистване. [6]

\*Само за някои модели \*\*Само за някои модели, накрайниците е възможно да се различават според модела

- Накрайник за килими и подове. Натиснете педала на селектора за тип настилка на накрайника [7] за да изберете идеалния режим на почистване за типа настилка. **Твърда подова настилка** – Четките се спускат за предпазване на пода. **Килим** – Четките се повдигат за най-дълбоко почистване.
- Включете прахосмукачката, като натиснете педала Вкл./Изкл. върху корпуса ѝ. [8]
- Настройте регулатора за засмукване на дръжката до желаното ниво. [9]
- Изключете, когато приключите, като натиснете педала Вкл./Изкл. Изключете от контакта и натиснете педала на ролката за кабела [F] за да навие захранващия кабел обратно в прахосмукачката.

### Отделение за паркиране и съхранение

Тръбата може да се паркира от задната страна на прахосмукачката за съхраняване или временно прибиране по време на употреба. [10]

## ПРИНАДЛЕЖНОСТИ

За постигане на най-добра работа и ефективност се препоръчва използването на правилни накрайници за основните операции по почистване. Тези накрайници се посочват на диаграмите с буквите **GP**, **HF** или **CA**.

Накрайник тип **GP** може да се използва за почистване както на килими, така и на твърди подовинастилки.

Накрайник тип **HF** е подходящ за използване само върху твърди подовинастилки.

Накрайник тип **CA** е подходящ за използване само върху килими.

Другите накрайници са принадлежности за специални задачи за почистване и се препоръчват само за употреба при необходимост.

Всички принадлежности могат да се поставят на края на дръжката на маркуча или на края на фиксираната тръба (освен четката за прах).

Накрайникът за тесни места и накрайникът за мебели се съхраняват върху тръбата, докато четката за прах се съхранява под дръжката на маркуча.

•**Накрайник за тесни места\*** – За ъгли и трудно достъпни области.

•**Четка за прах\*** – За полици, рамки, клавиатури и други деликатни области.

•**Накрайник за мебели\*** – За мека мебел и тъкани.

•**Накрайник за килими и подове:** За килими и твърди настилки.

•**Накрайник за паркет\*** – За паркет и други деликатни подовинастилки.

•**Голям турбо накрайник\*** - Използвайте турбо накрайника за дълбоко почистване на килими.

•**Мини турбо накрайник за косми от домашни любимци\*** - Използвайте минитурбо накрайника на стълбища или за дълбоко почистване на текстилни повърхности и други трудни за почистване области.

•**Мини турбо накрайник за премахване на алергени\*** - Използвайте мини турбо накрайника на стълбища или за дълбоко почистване на текстилни повърхности и други трудни за почистване области.

**ВАЖНО:** Не използвайте мини турбо накрайниците върху черги с дълги ресни, животински кожи и килими с косъм над 15mm. Не дръжте накрайника неподвижен, докато четката се върти.

## ПОДДРЪЖКА НА ПРАХОСМУКАЧКАТА

### Изпразване на отделението за смет

Когато прахът достигне индикатора за максимално ниво в отделението, изпразнете отделението.

**ВАЖНО:** За поддържане на оптимална работа не позволявайте прахът да надвиши индикатора за максимално ниво.

1. Изключете прахосмукачката от главния превключвател и извадете захранващия кабел.
2. Натиснете бутона за освобождаване на капака на отделението за смет и извадете отделението от прахосмукачката. [11]
3. Хванете отделението за смет с една ръка и натиснете езичето за освобождаване на капака. [14]
4. Затворете капака на отделението за смет и поставете отново в основния корпус на прахосмукачката.

### Почистване на миещите се филтри

Прахосмукачката е оборудвана със син филтърен пакет. За поддържане на оптимална ефективност при почистване редовно сваляйте филтрите и ги потупвайте в страната на отделението, за да освободите праха. Филтрите трябва да се мият на всеки 5 почиствания на отделението или когато нивото на праха по филтъра е твърде високо.

**ВАЖНО:** Всички прахосмукачки без торбичка се нуждаят от редовно почистване на филтрите. Пропускането на почистването на филтрите може да доведе до блокиране на въздуха, прегряване и неизправност на изделието. Това може да отмени гаранцията ви.

**ВАЖНО:** Редовно проверявайте и обслужвайте филтрите.

**ВАЖНО:** Винаги се уверявайте, че филтърният пакет е напълно сух преди употреба.

### За да достигнете филтъра:

1. Натиснете бутона за освобождаване на капака на отделението за смет и извадете отделението от прахосмукачката. [11]
2. Хванете отделението за смет с една ръка, а с другата натиснете бутона за освобождаване на капака му, за да отворите. [12]
3. Свалете филтъра пред мотора, разположен в капка на отделението. [15]
4. Внимателно изтупайте и измийте филтъра пред мотора. Не използвайте гореща вода или препарати. Премахнете излишната вода от филтъра и оставете да изсъхне напълно, преди да го използвате отново. [18,19]
5. Сглобете отново филтъра пред мотора на капака на отделението за смет, когато изсъхне напълно, и поставете в прахосмукачката.

**ВАЖНО:** Не използвайте изделието без монтиран филтърен пакет.

### За да достигнете изходния филтър:

1. Отключете вратичката на изходния филтър, като натиснете двата бутона и дръпнете навън от основния блок на прахосмукачката. [16]
2. Свалете филтърният пакет от вдлъбнатината, като дръпнете пръстена на изходния филтър. [17]
3. Внимателно изтупайте и измийте филтърният блок. Не използвайте гореща вода или препарати. Премахнете излишната вода от филтъра и оставете да изсъхне напълно, преди да го използвате. [18,19]

\*Само за някои модели \*\*Само за някои модели, крайниците е възможно да се различават според модела

4. Сглобете отново филтърният пакет, след като изсъхне напълно, и го поставете обратно в прахосмукачката, като го вмъкнете на място и натиснете докрай.
5. Заклучете капака на изходния филтър, като натиснете ръба с щипки; ще чуете щракване, след като изходният филтър застане на място.

**ВАЖНО:** Не използвайте изделието без монтиран филтърен пакет.

### Почистване на отделението за смет/ разделителния блок

Тази прахосмукачка използва разделителна система, предлагана само от Hoover. При необходимост разделителният блок може да се разглоби от отделението за смет и да се почисти.

1. Натиснете бутона за освобождаване на капака на отделението за смет и извадете отделението от прахосмукачката. [11]
2. Хванете отделението за смет с една ръка, а с другата натиснете бутона за освобождаване на капака му, за да отворите. [12]
3. Свалете разтоварващата приставка (червена) от циклонния корпус. [13]
4. Свалете циклонния корпус от отделението за смет. [14]
5. При необходимост използвайте парцал за премахване на излишния прах от червената разтоварваща приставка и повърхността на циклонния корпус. [13]
6. Поставете отделението за смет под крана. [18] Изплакнете с хладка вода. Измийте вътрешните повърхности на отделението за смет само с вода. НЕ използвайте препарати със сапун за миене на вътрешността на отделението за смет.
7. Сглобете отново вътрешните компоненти на отделението за смет, като се уверите, че всички части са сухи.
8. Затворете капака на отделението за смет и поставете възела на отделението за смет в прахосмукачката.

### Премахване на запушване

1. Проверете дали отделението за смет е пълно. Ако да, вижте "Изпразване на отделението за смет".
2. Ако отделението за смет е празно, но засмукването все още е твърде слабо:
  - A. Имат ли филтрите нужда от почистване? Ако да, вижте "Почистване на миещите се филтри".
  - B. Проверете дали има друго запушване в системата - Използвайте прът, за да премахнете блокажи от удължителната тръба или гъвкавия маркуч.
  - C. Проверете дали е поставен филтърът пред мотора.
  - D. Проверете дали разделителният блок се нуждае от почистване. Вижте "Почистване на разделителния блок".

## ПОТРЕБИТЕЛСКИ СПИСЪК ЗА ПРОВЕРКА

В случай че срещнете проблем с изделието, изпълнете този лесен потребителски списък за проверка, преди да се свържете с местния сервиз на Hoover.

- Има ли работещо електрическо захранване към прахосмукачката? Моля, проверете с помощта на друг електрически уред.
- Препълнено ли е отделението за смет? Моля, вижте "Поддръжка на прахосмукачката".
- Запушен ли е филтърът? Моля, вижте "Поддръжка на прахосмукачката".
- Запушен ли е маркучът или накрайникът? Моля, вижте "Премахване на запушване от системата".
- Прегряла ли е прахосмукачката? Ако да, ще са необходими около 30 минути за автоматично нулиране.

## ВАЖНА ИНФОРМАЦИЯ

### Резервни части и консумативи Hoover

Винаги заменяйте части с оригинални такива от Hoover. Те се осигуряват от местния ви търговец на Hoover или директно от Hoover. Когато поръчвате части, винаги посочвайте номера на своя модел.

Комплект филтри пред мотора и изходен (2l)	U52 35601650
Комплект филтри пред мотора и изходен (4l)	U52 35601651
Пълен гъвкав маркуч	D204E 35601652
Накрайник за килими и подове	G227EE 35601653
Допълнителен накрайник за килими	G228EE 35601654
Допълнителен накрайник за паркет	G89PC 35600659
Накрайник за косми от домашни любимци	J51 35601163

### Сервиз Hoover

В случай че се нуждаете от обслужване, моля, свържете се с местния сервизен офис на Hoover.

### Качество

BSI ISO 9001: Заводите на Hoover имат независима оценка на качеството. Нашите продукти се произвеждат по система за качество, отговаряща на изискванията на ISO 9001.

### Вашата гаранция

Условията на гаранцията за този уред са съгласно определените от представителя ни в държавата, в която се продава. Можете да научите подробности за тези условия от търговеца, от когото сте закупили уреда. При искове съгласно условията на тази гаранция трябва да се представи бележката за продажба или касовата бележка.

Подлежи на промяна без известие.